



TCKG/P Air Chain Hoist with Geared or Push Trolley

Models TCK Hoist and TS2 and TF2 Trolleys
Specifications and Dimensions

Purpose:

To provide specification and dimension information for the Pendant and Cord controlled TCK equipped with a Geared trolley (TCKG) and with a Push trolley (TCKP).

Scope:

The TCKG geared trolley hoist utilizes the TS2 trolley due to the length of the TCK requiring an extended hand wheel. The TCKP push trolley hoist utilizes the TF2 trolley.

Table of Contents:

Trolley Type	Control Type	Document Type	Page
Geared/Push	Pendant/Cord Model	Specification	2
Geared	Pendant/Cord Model	Dimensions	3
Geared	Pendant/Cord Model	Figures 1 and 2	3
Push	Pendant/Cord Model	Dimensions	4
Push	Pendant/Cord Model	Figures 3 and 4	4

IMPERIAL SPECIFICATION – TCK Pendant Model with Geared or Push Trolley

Cap. (Tons)	Product Code	Standard Lift (ft)	Push Button Hose L (ft)	Up/Down Speeds (ft/min @ 90 psi)		Up/Down Air Consumption Rates (cubic ft/min @ 90 psi)		Flange Width Adjustability B (in)		Minimum* Allow. Radius for Curve (in)	Load Chain Diameter (mm) x Chain Fall Lines	Net Weight (lbs)	Weight for Additional One Foot of Lift (lbs)
				No Load	w/Full Load	No Load	w/Full Load	Standard	Optional				
3	TCKP(TCKG)3000P	10	8.6	37 / 23	18 / 38	148 / 141	124 / 152	3.23 to 6.02	6.03 to 12.00	25.6 (66.9)	12.5 x 1	271(287)	2.3(2.9)
6	TCKP(TCKG)6000P2			18 / 12	9 / 19	148 / 141	124 / 152	5.50 to 8.66	8.67 to 12.00	118.1	12.5 x 2	507(553)	4.6(5.2)

Figures in parenthesis are data for geared trolley
 *Minimum flange width for curved beam: 3 Ton Push and Geared = 3.50 in.

METRIC SPECIFICATION – TCK Pendant Model with Geared or Push Trolley

Cap. (Tons)	Product Code	Standard Lift (m)	Push Button Hose L (m)	Up/Down Speeds (m/min @ 0.6 MPa)		Up/Down Air Consumption Rates (cubic m/min @ 0.6 MPa)		Flange Width Adjustability B (mm)		Minimum* Allow. Radius for Curve (mm)	Load Chain Diameter (mm) x Chain Fall Lines	Net Weight (kg)	Weight for Additional One Meter of Lift (kg)
				No Load	w/Full Load	No Load	w/Full Load	Standard	Optional				
3	TCKP(TCKG)3000P	3.0	2.6	11.2 / 6.9	5.4 / 11.6	4.2 / 4.0	3.5 / 4.3	82 to 153	154 to 305	650 (1700)	12.5 x 1	123(130)	3.4(4.3)
6	TCKP(TCKG)6000P2			5.6 / 3.5	2.7 / 5.7	4.2 / 4.0	3.5 / 4.3	140 to 220	221 to 305	3000	12.5 x 2	230(251)	6.8(7.7)

Figures in parenthesis are data for geared trolley
 *Minimum flange width for curved beam: 3 Ton Push and Geared = 89 mm

IMPERIAL SPECIFICATION – TCK Cord Model with Geared or Push Trolley

Cap. (Tons)	Product Code	Standard Lift (ft)	Cord L (ft)	Up/Down Speeds (ft/min @ 90 psi)		Up/Down Air Consumption Rates (cubic ft/min @ 90 psi)		Flange Width Adjustability B (in)		Minimum* Allow. Radius for Curve (in)	Load Chain Diameter (mm) x Chain Fall Lines	Net Weight (lbs)	Weight for Additional One Foot of Lift (lbs)
				No Load	w/Full Load	No Load	w/Full Load	Standard	Optional				
3	TCKP(TCRG)3000C	10	7.3	37 / 23	18 / 38	148 / 141	124 / 152	3.23 to 6.02	6.03 to 12.00	25.6 (66.9)	12.5 x 1	269(284)	2.3(2.9)
6	TCKP(TCRG)6000C2			18 / 12	9 / 19	148 / 141	124 / 152	5.50 to 8.66	8.67 to 12.00	118.1	12.5 x 2	505(551)	4.6(5.2)

Figures in parenthesis are data for geared trolley
 *Minimum flange width for curved beam: 3 Ton Push and Geared = 3.50 in.

METRIC SPECIFICATION – TCK Cord Model with Geared or Push Trolley

Cap. (Tons)	Product Code	Standard Lift (m)	Cord L (m)	Up/Down Speeds (m/min @ 0.6 MPa)		Up/Down Air Consumption Rates (cubic m/min @ 0.6 MPa)		Flange Width Adjustability B (mm)		Minimum* Allow. Radius for Curve (mm)	Load Chain Diameter (mm) x Chain Fall Lines	Net Weight (kg)	Weight for Additional One Meter of Lift (kg)
				No Load	w/Full Load	No Load	w/Full Load	Standard	Optional				
3	TCKP(TCRG)3000P	3.0	2.2	11.2 / 6.9	5.4 / 11.6	4.2 / 4.0	3.5 / 4.3	82 to 153	154 to 305	650 (1700)	12.5 x 1	122(129)	3.4(4.3)
6	TCKP(TCRG)6000P2			5.6 / 3.5	2.7 / 5.7	4.2 / 4.0	3.5 / 4.3	140 to 220	221 to 305	3000	12.5 x 2	229(250)	6.8(7.7)

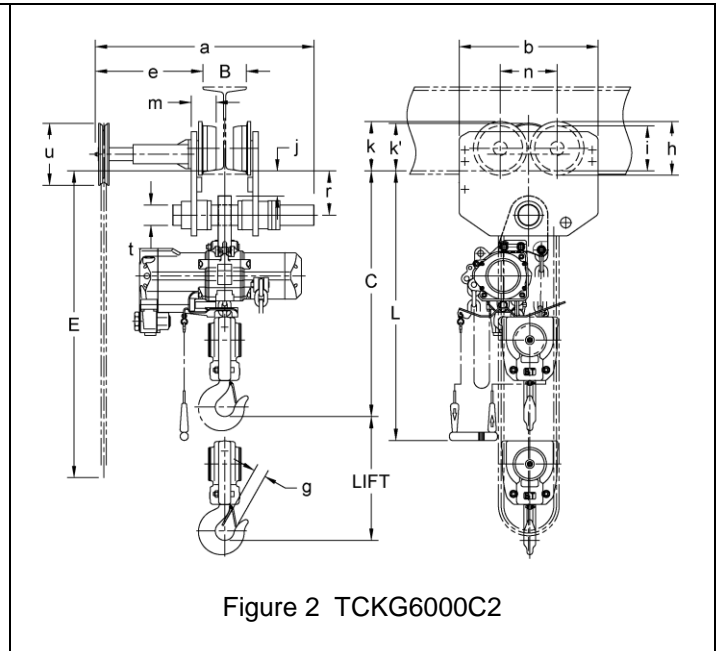
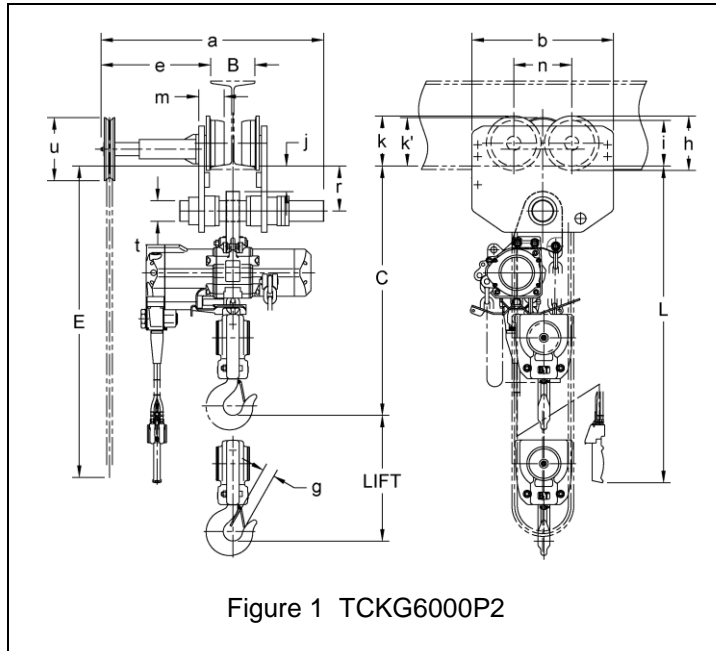
Figures in parenthesis are data for geared trolley
 *Minimum flange width for curved beam: 3 Ton Push and Geared = 89 mm

IMPERIAL DIMENSIONS – TCK Cord and Pendant Models with Geared Trolley – Figures 1 and 2

Cap. (Tons)	Product Code	Headroom C (in)	E (ft)	a (in)	b (in)	e (in)	g (in)	h (in)	i (in)	j (in)	k (in)	k' (in)	m (in)	n (in)	r (in)	t (in)	u (in)
3	TCKG3000C/P	21.5	9.8	31.2	12.8	15.9	1.3	5.8	3.94	1.2	5.3	4.5	3.1	6.0	2.7	1.42	7.2
6	TCKG6000C2/P2	33.4	10.8	29.7	18.9	14.6	1.7	7.3	6.10	3.4	6.7	6.5	3.4	7.7	6.0	2.76	8.4

METRIC DIMENSIONS – TCK Cord and Pendant Models with Geared Trolley – Figures 1 and 2

Cap. (Tons)	Product Code	Headroom C (mm)	E (m)	a (mm)	b (mm)	e (mm)	g (mm)	h (mm)	i (mm)	j (mm)	k (mm)	k' (mm)	m (mm)	n (mm)	r (mm)	t (mm)	u (mm)
3	TCKG3000C/P	546	3.0	792	324	404	33	148	100	30	134	114	79	152	68	36	183
6	TCKG6000C2/P2	848	3.3	754	480	371	43	185	155	87	170	164	86	197	153	70	213



IMPERIAL DIMENSIONS – TCK Cord and Pendant Models with Push Trolley – Figures 3 and 4

Cap. (Tons)	Product Code	Headroom C (in)	a (in)	b (in)	e (in)	g (in)	h (in)	i (in)	j (in)	k (in)	m (in)	n (in)	r (in)	t (in)
3	TCKP3000C/P	21.5	12.6	12.8	3.1	1.3	5.8	3.94	1.2	5.3	3.1	6.0	2.7	1.42
6	TCKP6000C2/P2	33.4	17.6	18.9	4.1	1.7	7.3	6.10	3.5	6.7	3.4	7.7	6.0	2.76

METRIC DIMENSIONS – TCK Cord and Pendant Models with Push Trolley – Figures 3 and 4

Cap. (Tons)	Product Code	Headroom C (mm)	a (mm)	b (mm)	e (mm)	g (mm)	h (mm)	i (mm)	j (mm)	k (mm)	m (mm)	n (mm)	r (mm)	t (mm)
3	TCKP3000C/P	546	320	324	81	33	148	100	30	135	79	152	68	36
6	TCKP6000C2/P2	848	447	480	104	43	185	155	89	170	86	196	153	70

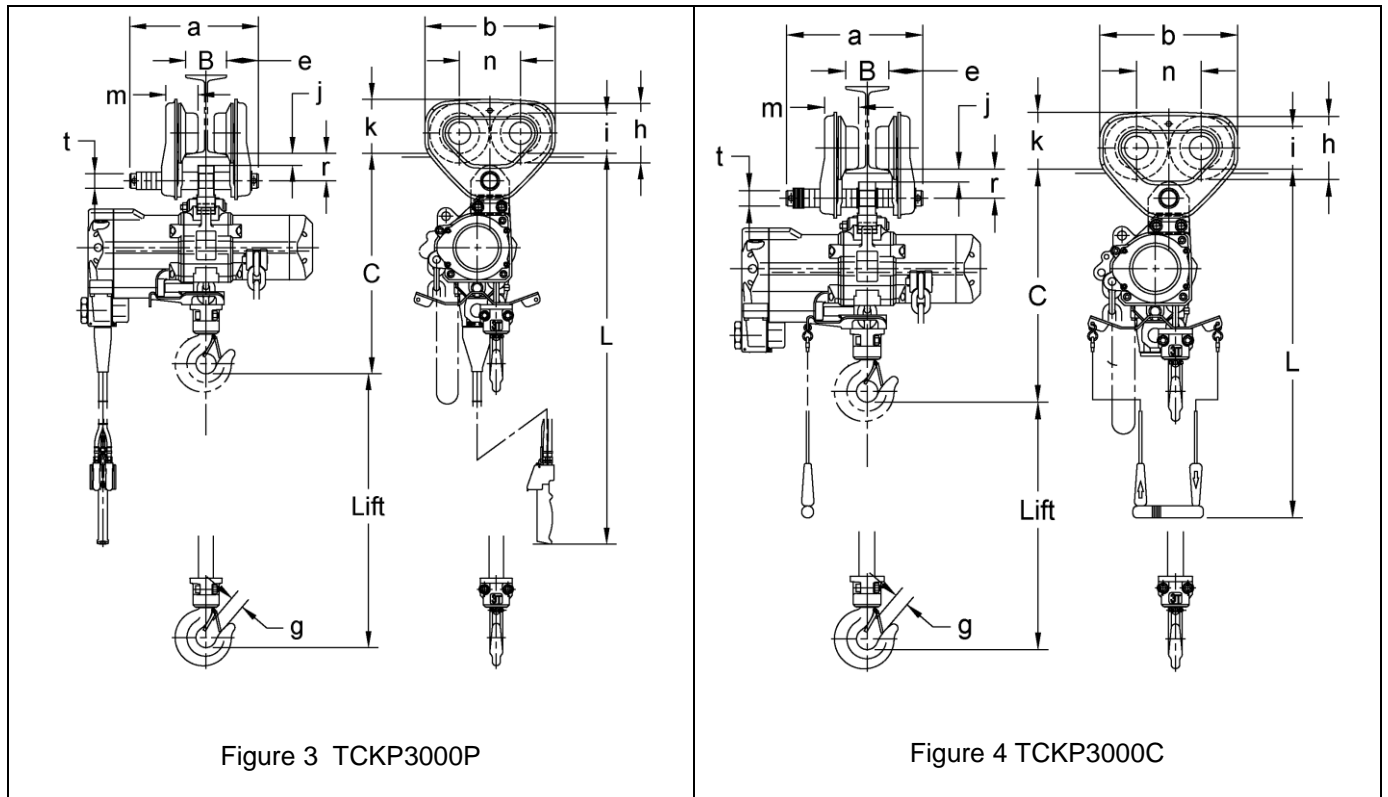


Figure 3 TCKP3000P

Figure 4 TCKP3000C

