



TCKM Air Chain Hoist with Air Powered Trolley
 Models TCK Hoist and MCR Trolley
 Specifications and Dimensions

Purpose:

To provide dimension and specification information for a TCKM model air chain hoist equipped with an air powered trolley.

Imperial Specifications:

Cap. (Tons)	Product Code	Standard Lift (ft)	Push Button Hose L (ft)	Up/Down Speeds (ft/min @ 90 psi)		Traversing Speed (ft/min)	Air Consumption Rates (cfm @ 90 psi)			Flange Width Adjustability B (in)	Minimum Allow. Radius for Curve (in)	Load Chain Diameter (mm) x Chain Fall Lines	Net Weight (lbs)	Weight for Additional One Foot of Lift (lbs)
							TCK		MCR					
				No Load	Full Load		No Load	Full Load	Full Load					
3	TCKM3000P	10	8.6	37 / 23	18 / 38	65	148 / 141	124 / 152	53	3.94 to 6.02	51.2	12.5 x 1	326	2.3
6	TCKM6000P2			18 / 12	9 / 19		148 / 141	124 / 152	53	4.92 to 7.02	78.7	12.5 x 2	461	4.6

Imperial Dimensions:

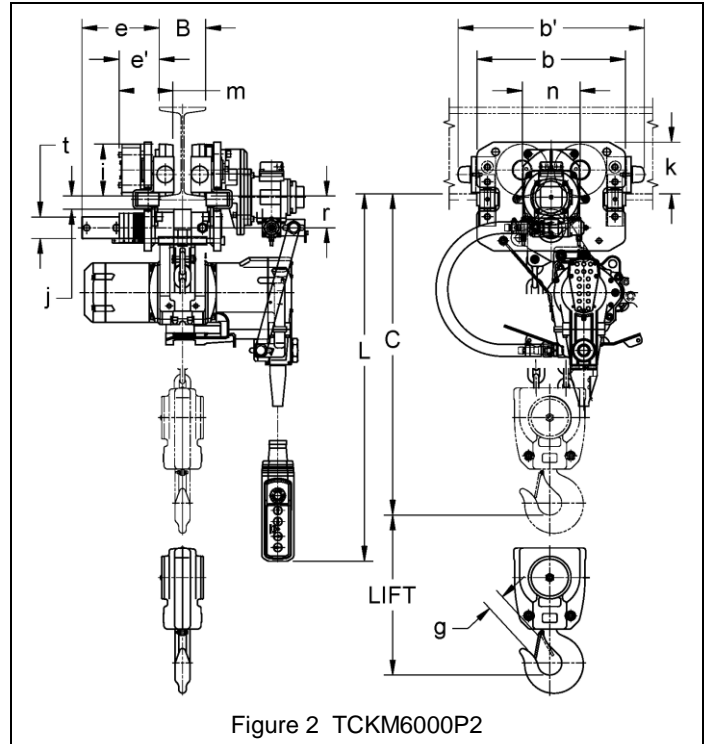
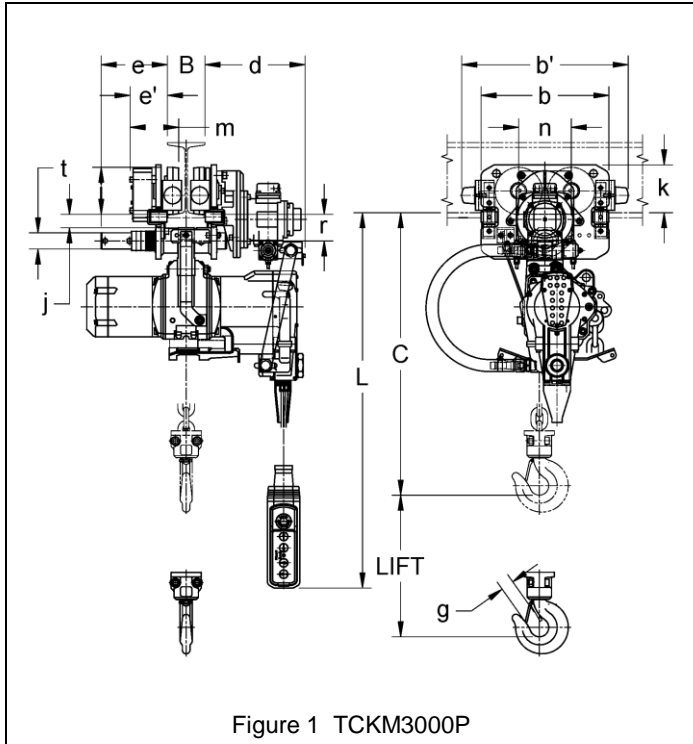
Cap. (Tons)	Product Code	Headroom C (in)	b (in)	b' (in)	d (in)	e (in)	e' (in)	g (in)	i (in)	j (in)	k (in)	m (in)	n (in)	r (in)	t (in)
3	TCKM3000P	29.5	13.4	17.4	10.5	6.9	3.9	1.3	4.9	1.4	5.0	5.1	5.5	2.8	1.7
6	TCKM6000P2	34.1	15.7	19.8	10.8	8.1	4.3	1.7	5.5	1.4	5.5	5.7	6.1	3.9	2.3

Metric Specifications:

Cap. (Tons)	Product Code	Standard Lift (m)	Push Button Hose L (m)	Up/Down Speeds (m/min @ 0.6 MPa)		Traversing Speed (m/min)	Air Consumption Rates (cubic m/min @ 0.6 MPa)			Flange Width Adjustability B (mm)	Minimum Allow. Radius for Curve (mm)	Load Chain Diameter (mm) x Chain Fall Lines	Net Weight (kg)	Weight for Additional One Meter of Lift (kg)
							TCK		MCR					
				No Load	Full Load		No Load	Full Load	Full Load					
3	TCKM3000P	3.0	2.6	11.2 / 6.9	5.4 / 11.6	20	4.2 / 4.0	3.5 / 4.3	1.5	100 to 153	1300	12.5 x 1	148	3.0
6	TCKM6000P2			5.6 / 3.5	2.7 / 5.7		4.2 / 4.0	3.5 / 4.3	1.5	125 to 178	1999	12.5 x 2	209	6.0

Metric Dimensions:

Cap. (Tons)	Product Code	Headroom C (mm)	b (mm)	b' (mm)	d (mm)	e (mm)	e' (mm)	g (mm)	i (mm)	j (mm)	k (mm)	m (mm)	n (mm)	r (mm)	t (mm)
3	TCKM3000P	750	340	442	267	176	99	34	125	36	128	130	140	71	43
6	TCKM6000P2	867	400	502	274	205	109	42	140	36	139	145	156	99	58



END