

**PURPOSE**

To provide dimension and specification information for the hook mount TCK model air chain hoist.

**TCK PENDANT MODEL**

**ENGLISH SPECIFICATIONS**

Cap. (Tons)	Product Code	Standard Lift (ft)	Push Button Hose L (ft)	Up/Down Speeds (ft/min @ 90 psi)		Up/Down Air Consumption Rates (cubic ft/min @ 90 psi)		Load Chain Diameter (mm) x Chain Fall Lines	Net Weight (lbs)	Weight for Additional One Foot of Lift (lbs)
				No Load	w/Full Load	No Load	w/Full Load			
3	TCK3000P	10	8.6	37 / 23	18 / 38	148 / 141	124 / 152	12.5 x 1	225	2.3
6	TCK6000P2	10	8.6	18 / 12	9 / 19	148 / 141	124 / 152	12.5 x 2	295	4.6

**ENGLISH DIMENSIONS**

Cap. (Tons)	Product Code	Headroom C (in)	a (in)	b (in)	d (in)	e (in)	g (in)	h (in)	i (in)	j (in)
3	TCK3000P	21.1	22.7	12.3	10.4	12.2	1.3	7.4	4.9	1.3
6	TCK6000P2	30.3	22.7	14.6	10.4	12.2	1.7	9.6	5.0	3.5

**METRIC SPECIFICATIONS**

Cap. (Tons)	Product Code	Standard Lift (m)	Push Button Hose L (m)	Up/Down Speeds (m/min @ 0.6 MPa)		Up/Down Air Consumption Rates (cubic m/min @ 0.6 MPa)		Load Chain Diameter (mm) x Chain Fall Lines	Net Weight (kg)	Weight for Additional One Meter of Lift (kg)
				No Load	w/Full Load	No Load	w/Full Load			
3	TCK3000P	3	2.6	11.2 / 6.9	5.4 / 11.6	4.2 / 4.0	3.5 / 4.3	12.5 x 1	102	3.4
6	TCK6000P2	3	2.6	5.6 / 3.5	2.7 / 5.7	4.2 / 4.0	3.5 / 4.3	12.5 x 2	134	6.8

**METRIC DIMENSIONS**

Cap. (Tons)	Product Code	Headroom C (mm)	a (mm)	b (mm)	d (mm)	e (mm)	g (mm)	h (mm)	i (mm)	j (mm)
3	TCK3000P	537	576	313	265	311	33	188	125	33
6	TCK6000P2	770	576	371	265	311	43	244	127	89

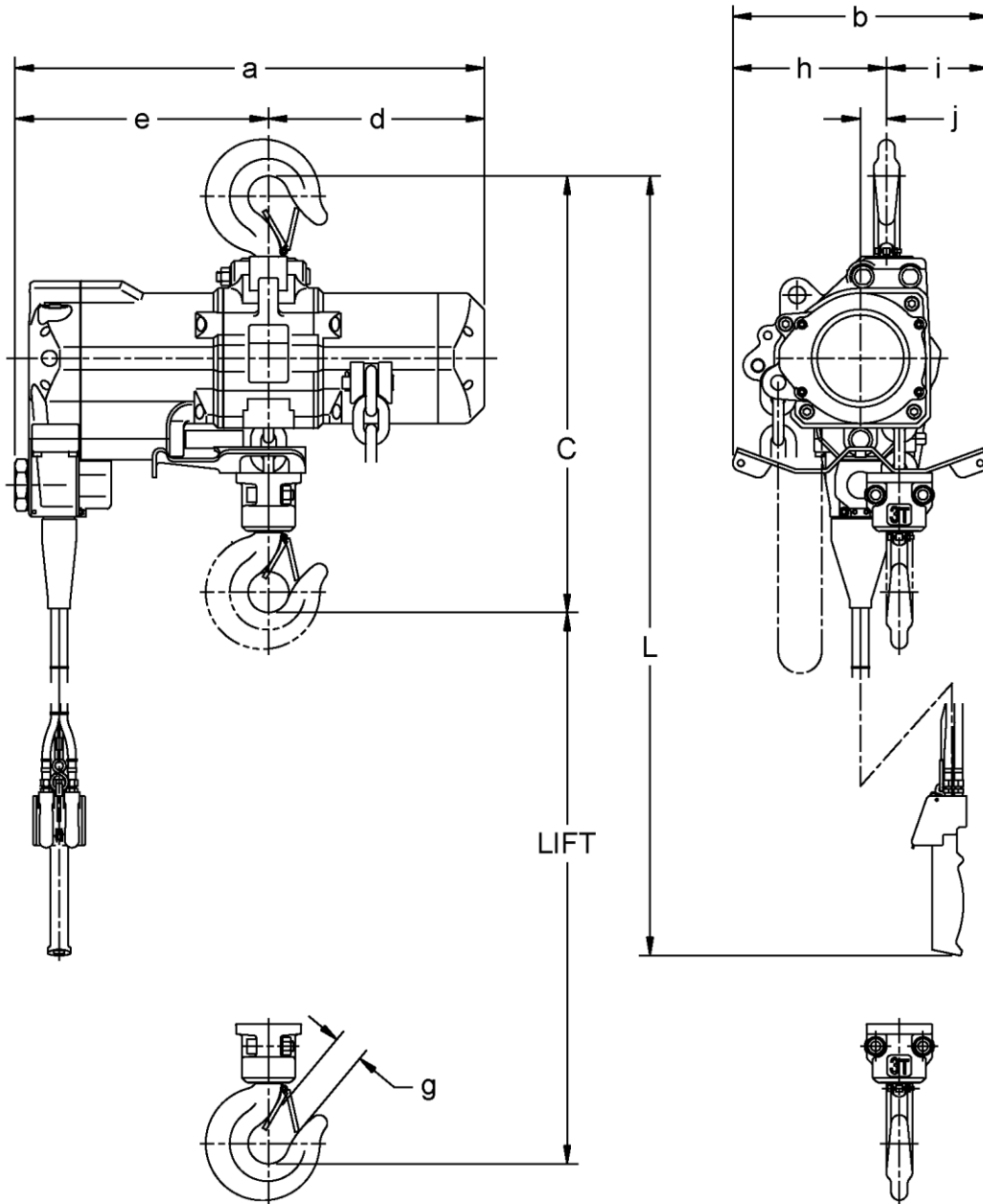


Fig. 1 TCK3000P – Single Fall Pendant Model

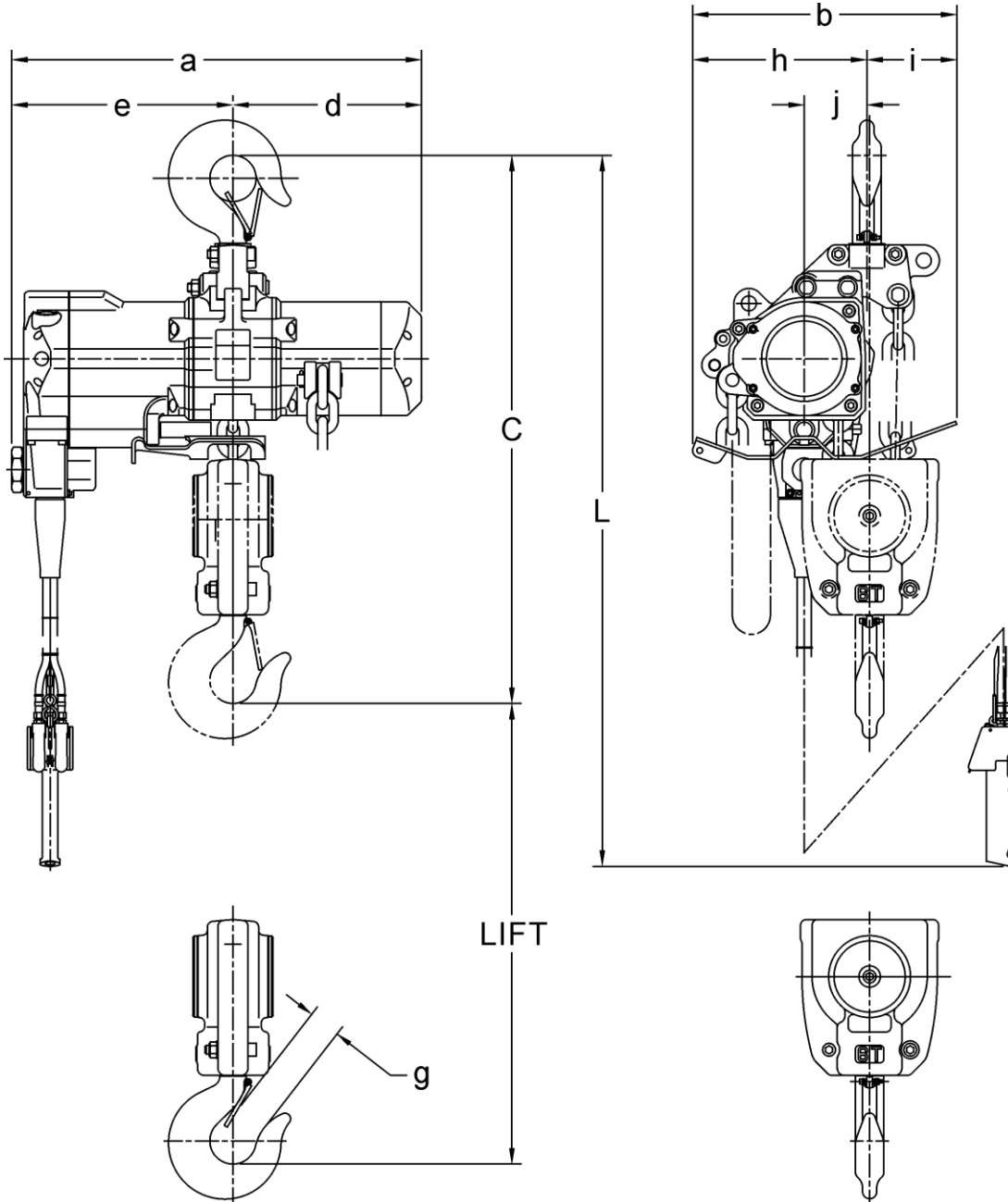


Fig. 2 TCK6000P2 – Double Fall Pendant Model

**TCK CORD MODEL**

**ENGLISH SPECIFICATIONS**

Cap. (Tons)	Product Code	Standard Lift (ft)	Cord L (ft)	Up/Down Speeds (ft/min @ 90 psi)		Up/Down Air Consumption Rates (cubic ft/min @ 90 psi)		Load Chain Diameter (mm) x Chain Fall Lines	Net Weight (lbs)	Weight for Additional One Foot of Lift (lbs)
				No Load	w/Full Load	No Load	w/Full Load			
3	TCK3000C	10	7.3	37 / 23	18 / 38	148 / 141	124 / 152	12.5 x 1	223	2.3
6	TCK6000C2	10	7.3	18 / 12	9 / 19	148 / 141	124 / 152	12.5 x 2	293	4.6

**ENGLISH DIMENSIONS**

Cap. (Tons)	Product Code	Headroom C (in)	a (in)	b (in)	d (in)	e (in)	g (in)	h (in)	i (in)	j (in)
3	TCK3000C	21.1	22.7	12.3	10.4	12.2	1.3	7.4	4.9	1.3
6	TCK6000C2	30.3	22.7	14.6	10.4	12.2	1.7	9.6	5.0	3.5

**METRIC SPECIFICATIONS**

Cap. (Tons)	Product Code	Standard Lift (m)	Cord L (m)	Up/Down Speeds (m/min @ 0.6 MPa)		Up/Down Air Consumption Rates (cubic m/min @ 0.6 MPa)		Load Chain Diameter (mm) x Chain Fall Lines	Net Weight (kg)	Weight for Additional One Meter of Lift (kg)
				No Load	w/Full Load	No Load	w/Full Load			
3	TCK3000C	3	2.2	11.2 / 6.9	5.4 / 11.6	4.2 / 4.0	3.5 / 4.3	12.5 x 1	101	3.4
6	TCK6000C2	3	2.2	5.6 / 3.5	2.7 / 5.7	4.2 / 4.0	3.5 / 4.3	12.5 x 2	133	6.8

**METRIC DIMENSIONS**

Cap. (Tons)	Product Code	Headroom C (mm)	a (mm)	b (mm)	d (mm)	e (mm)	g (mm)	h (mm)	i (mm)	j (mm)
3	TCK3000C	537	576	313	265	311	33	188	125	33
6	TCK6000C2	770	576	371	265	311	43	244	127	89

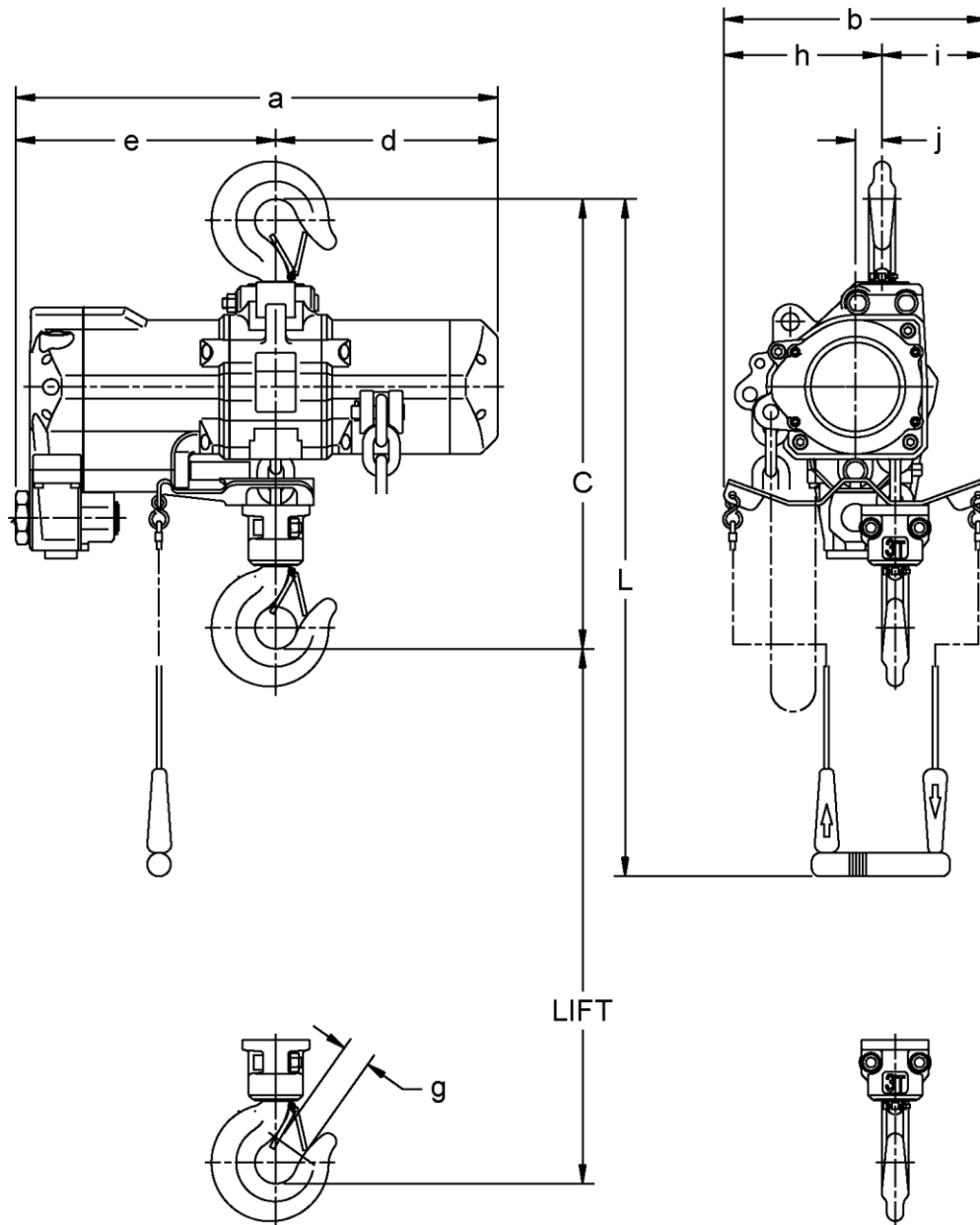


Fig. 3 TCK3000C – Single Fall Cord Model

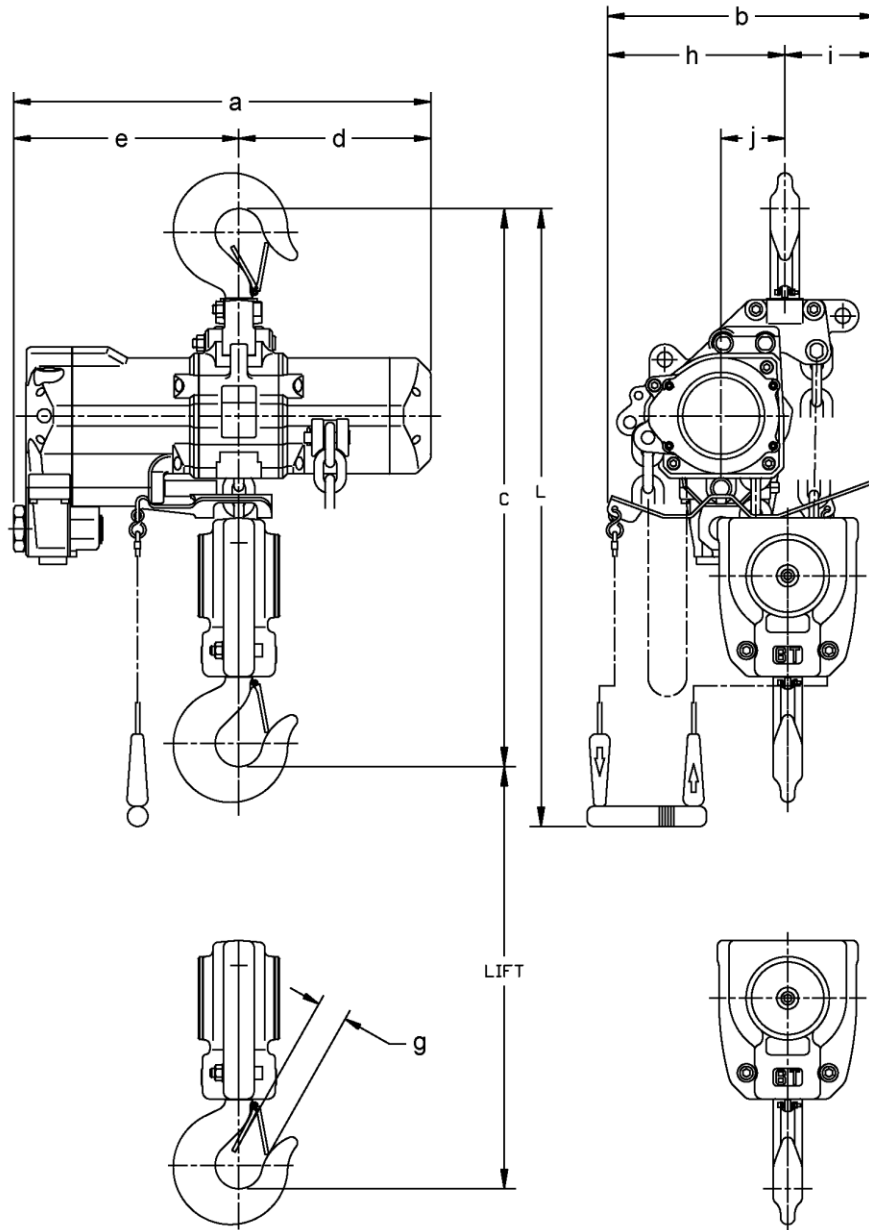


Fig. 4 TCK6000C2 – Double Fall Cord Model

END