



TCLM Air Chain Hoist with Air Powered Trolley

Models TCL Hoist and MCL Trolley

Specifications and Dimensions

Purpose:

To provide dimension and specification information for a TCLM model air chain hoist equipped with an air powered trolley.

Imperial Specifications:

Cap. (Tons)	Product Code	Standard Lift (ft)	Push Button Hose L (ft)	Up/Down Speeds (ft/min @ 90 psi)		Traversing Speed (ft/min)	Air Consumption Rates (cfm @ 90 psi)			Flange Width Adjustability B (in)	Minimum Allow. Radius for Curve (in)	Load Chain Diameter (mm) x Chain Fall Lines	Net Weight (lbs)	Weight for Additional One Foot of Lift (lbs)
				No Load	Full Load		TCL		MCL					
							No Load	Full Load	No Load					
1/4	TCLM250P	10	8.2	151 / 105	85 / 144	65	64 / 57	57 / 64	53	2.28 to 5.00	137.8	6.3 x 1	151	0.6
1/2	TCLM500P			79 / 53	43 / 79		64 / 57	57 / 64	53			6.3 x 1	151	0.6
1	TCLM1000P2			39 / 26	21 / 39		64 / 57	57 / 64	53			6.3 x 2	165	1.2
3	TCLM3000P			24 / 14	10 / 22		131 / 124	106 / 141	53			3.94 to 6.02	51.2	12.5 x 1
6	TCLM6000P2	10	8.6	12 / 7.2	4.9 / 11	65	131 / 124	106 / 141	53	4.92 to 7.02	78.7	12.5 x 2	461	4.6

Imperial Dimensions:

Cap. (Tons)	Product Code	Headroom C (in)	b (in)	b' (in)	d (in)	e (in)	e' (in)	g (in)	i (in)	j (in)	k (in)	m (in)	n (in)	r (in)	t (in)
1/4	TCLM250P	18.3	12.4	15.6	9.9	6.2	3.7	1.0	3.7	0.9	4.8	4.6	4.4	2.0	1.2
1/2	TCLM500P	18.3	12.4	15.6	9.9	6.2	3.7	1.0	3.7	0.9	4.8	4.6	4.4	2.0	1.2
1	TCLM1000P2	19.3	12.4	15.6	9.9	6.2	3.7	1.1	3.7	0.9	4.8	4.6	4.4	2.0	1.2
3	TCLM3000P	29.5	13.4	17.4	10.5	6.9	3.9	1.3	4.9	1.4	5.0	5.1	5.5	2.8	1.7
6	TCLM6000P2	34.1	15.7	19.8	10.8	8.1	4.3	1.7	5.5	1.4	5.5	5.7	6.1	3.9	2.3

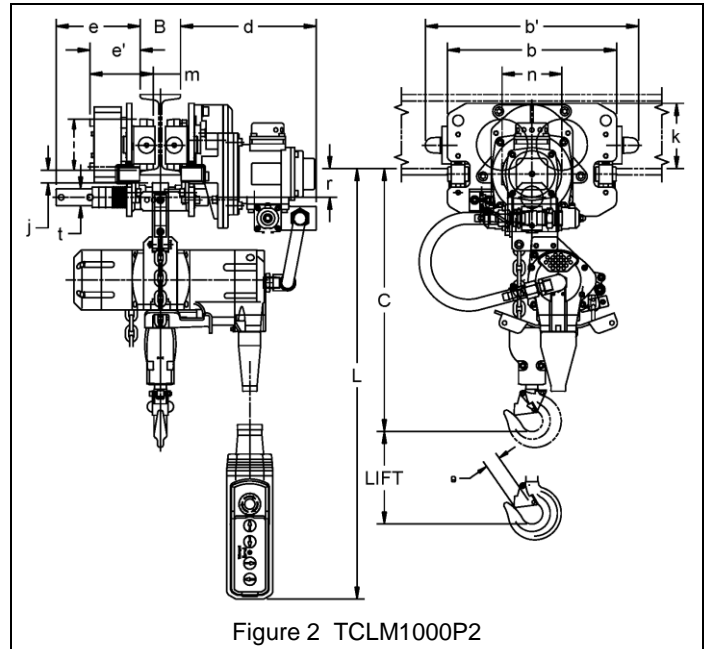
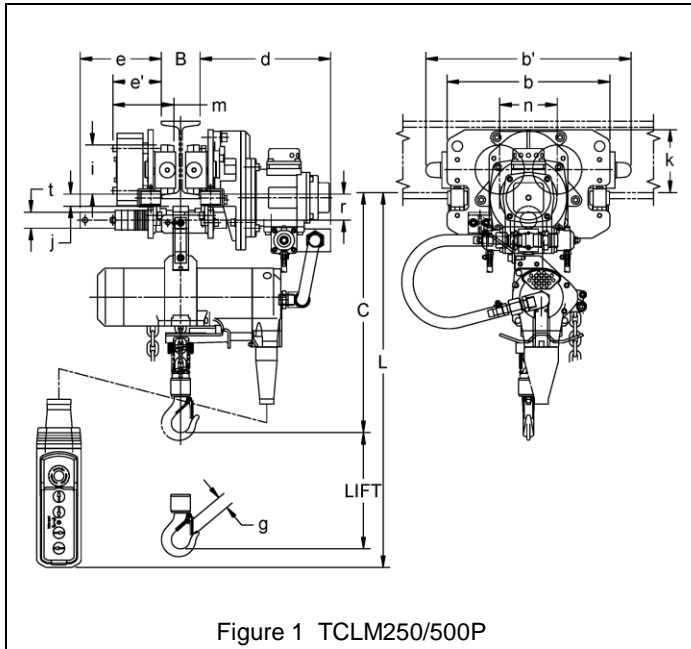
Metric Specifications:

Cap. (Tons)	Product Code	Standard Lift (m)	Push Button Hose L (m)	Up/Down Speeds (m/min @ 0.6 MPa)		Traversing Speed (m/min)	Air Consumption Rates (cubic m/min @ 0.6 MPa)			Flange Width Adjustability B (mm)	Minimum Allow. Radius for Curve (mm)	Load Chain Diameter (mm) x Chain Fall Lines	Net Weight (kg)	Weight for Additional One Meter of Lift (kg)
				No Load	Full Load		TCL		MCL					
							No Load	Full Load	No Load					
1/4	TCLM250P	3.0	2.5	46 / 32	26 / 44	20	1.8 / 1.6	1.6 / 1.8	1.5	58 to 127	3500	6.3 x 1	69	0.9
1/2	TCLM500P			24 / 16	13 / 24		1.8 / 1.6	1.6 / 1.8	1.5			6.3 x 1	69	0.9
1	TCLM1000P2			12 / 8	6.5 / 12		1.8 / 1.6	1.6 / 1.8	1.5			6.3 x 2	75	1.8
3	TCLM3000P			7.3 / 4.4	3.1 / 6.7		3.7 / 3.5	3 / 4	1.5			100 to 153	1300	12.5 x 1
6	TCLM6000P2	3.0	2.6	3.6 / 2.2	1.5 / 3.3	20	3.7 / 3.5	3 / 4	1.5	125 to 178	1999	12.5 x 2	209	6.8

Metric Dimensions:

Cap. (Tons)	Product Code	Headroom C (mm)	b (mm)	b' (mm)	d (mm)	e (mm)	e' (mm)	g (mm)	i (mm)	j (mm)	k (mm)	m (mm)	n (mm)	r (mm)	t (mm)
1/4	TCLM250P	465	315	397	252	157	94	25.4	94	23	122	117	112	51	31
1/2	TCLM500P	465	315	397	252	157	94	25.4	94	23	122	117	112	51	31
1	TCLM1000P2	490	315	397	252	157	94	29	94	23	122	117	112	51	31
3	TCLM3000P	750	340	442	267	176	99	34	125	36	128	130	140	71	43
6	TCLM6000P2	867	400	502	274	205	109	42	140	36	139	145	156	99	58

GENERAL USE
EDOC1224



END