



TCLP/G Air Hoist w/ Geared or Push Trolley
Models TCL250-6000-2 Hoist and TF2/TS2 Trolley
Specifications and Dimensions

Purpose:

To provide specification and dimension information for the Pendant controlled TCLP hoists equipped with a Push trolley (TCLP) and a Geared trolley (TCLG).

Scope:

The TCLP push trolley hoist utilizes the TF2 trolley. TCLG geared trolley hoist utilizes the TS2 trolley due to the length of the TCL requiring an extended hand wheel.

Table of Contents:

Trolley Type	Control Type	Document Type	Page
Push/Geared*	Pendant Model	Specification	2
Push/Geared*	Cord Model	Specification	3
Push	Pendant/Cord Model	Dimensions	4
Push	Pendant/Cord Model	Figures 1 and 2	4
Geared	Pendant/Cord Model	Dimensions	5
Geared	Pendant/Cord Model	Figures 3 and 4	5

*3 and 6 ton models included geared trolley type information



TCLP/G Air Hoist w/ Geared or Push Trolley
 Models TCL250-6000-2 Hoist and TF2/TS2 Trolley
 Specifications and Dimensions

IMPERIAL SPECIFICATION – TCL Pendant Model with Push or (Geared) Trolley

Cap. (Tons)	Product Code	Standard Lift (ft)	Push Button Hose L (ft)	Up/Down Speeds (ft/min @ 90 psi)		Up/Down Air Consumption Rates (cubic ft/min @ 90 psi)		Flange Width Adjustability B (in)		Minimum* Allow. Radius for Curve (in)	Load Chain Diameter (mm) x Chain Fall Lines	Net Weight (lbs)	Weight for Additional One Foot of Lift (lbs)
				No Load	w/Full Load	No Load	w/Full Load	Standard	Optional				
1/4	TCLP250P	10	8.2	151 / 105	85 / 144	64 / 57	57 / 64	2.28 to 4.00	4.01 to 8.00 OR 8.01 to 12.00	13.8	6.3 x 1	56	0.6
1/2	TCLP500P			79 / 53	43 / 79	64 / 57	57 / 64				6.3 x 1	56	0.6
1	TCLP1000P2			39 / 26	21 / 39	64 / 57	57 / 64	2.28 to 5.00	5.01 to 8.00 OR 8.01 to 12.00	17.7	6.3 x 2	78	1.2
3	TCLP(TCLG)3000P		8.6	24 / 14	10 / 22	131 / 124	106 / 141	3.23 to 6.02	6.03 to 12.00	25.6 (66.9)	12.5 x 1	271(287)	2.3(2.9)
6	TCLP(TCLG)6000P2			12 / 7.2	4.9 / 11	131 / 124	106 / 141	5.50 to 8.66	8.67 to 12.00	118.1	12.5 x 2	507(553)	4.6(5.2)

Figures in parenthesis are data for geared trolley

*Minimum flange width for curved beam: 1 Ton Push = 2.87 in.

3 Ton Push and Geared = 3.50 in.

METRIC SPECIFICATION – TCL Pendant Model with Push Trolley or (Geared) Trolley

Cap. (Tons)	Product Code	Standard Lift (m)	Push Button Hose L (m)	Up/Down Speeds (m/min @ 0.6 MPa)		Up/Down Air Consumption Rates (cubic m/min @ 0.6 MPa)		Flange Width Adjustability B (mm)		Minimum* Allow. Radius for Curve (mm)	Load Chain Diameter (mm) x Chain Fall Lines	Net Weight (kg)	Weight for Additional One Meter of Lift (kg)
				No Load	w/Full Load	No Load	w/Full Load	Standard	Optional				
1/4	TCLP250P	3.0	2.5	46 / 32	26 / 44	1.8 / 1.6	1.6 / 1.8	58 to 102	102 to 203 OR 203 to 305	350	6.3 x 1	25	0.9
1/2	TCLP500P			24 / 16	13 / 24	1.8 / 1.6	1.6 / 1.8				6.3 x 1	25	0.9
1	TCLP1000P2			12 / 8	6.5 / 12	1.8 / 1.6	1.6 / 1.8	58 to 127	127 to 203 OR 203 to 305	450	6.3 x 2	35	1.8
3	TCLP(TCLG)3000P		2.6	7.3 / 4.4	3.1 / 6.7	3.7 / 3.5	3 / 4	82 to 153	154 to 305	650 (1700)	12.5 x 1	123(130.2)	3.4(4.3)
6	TCLP(TCLG)6000P2			3.6 / 2.2	1.5 / 3.3	3.7 / 3.5	3 / 4	140 to 220	221 to 305	3000	12.5 x 2	230 (250.8)	6.8(7.7)

Figures in parenthesis are data for geared trolley

*Minimum flange width for curved beam: 1 Ton Push = 73 mm

3 Ton Push and Geared = 89 mm



TCLP/G Air Hoist w/ Geared or Push Trolley
 Models TCL250-6000-2 Hoist and TF2/TS2 Trolley
 Specifications and Dimensions

IMPERIAL SPECIFICATION – TCL Cord Model with Push or (Geared) Trolley

Cap. (Tons)	Product Code	Standard Lift (ft)	Cord L (ft)	Up/Down Speeds (ft/min @ 90 psi)		Up/Down Air Consumption Rates (cubic ft/min @ 90 psi)		Flange Width Adjustability B (in)		Minimum* Allow. Radius for Curve (in)	Load Chain Diameter (mm) x Chain Fall Lines	Net Weight (lbs)	Weight for Additional One Foot of Lift (lbs)
				No Load	w/Full Load	No Load	w/Full Load	Standard	Optional				
1/4	TCLP250C	10	7.3	151 / 105	85 / 144	64 / 57	57 / 64	2.28 to 4.00	4.01 to 8.00 OR 8.01 to 12.00	13.8	6.3 x 1	54	0.6
1/2	TCLP500C			79 / 53	43 / 79	64 / 57	57 / 64						
1	TCLP1000C2			39 / 26	21 / 39	64 / 57	57 / 64	2.28 to 5.00	5.01 to 8.00 OR 8.01 to 12.00	17.7	6.3 x 2	76	1.2
3	TCLP(TCLG)3000C			24 / 14	10 / 22	131 / 124	106 / 141	3.23 to 6.02	6.03 to 12.00	25.6 (66.9)	12.5 x 1	269(284)	2.3(2.9)
6	TCLP(TCLG)6000C2			12 / 7.2	4.9 / 11	131 / 124	106 / 141	5.50 to 8.66	8.67 to 12.00	118.1	12.5 x 2	505(551)	4.6(5.2)

Figures in parenthesis are data for geared trolley

*Minimum flange width for curved beam: 1 Ton Push = 2.87 in.

3 Ton Push and Geared = 3.50 in.

METRIC SPECIFICATION – TCL Cord Model with Push Trolley or (Geared) Trolley

Cap. (Tons)	Product Code	Standard Lift (m)	Cord L (m)	Up/Down Speeds (m/min @ 0.6 MPa)		Up/Down Air Consumption Rates (cubic m/min @ 0.6 MPa)		Flange Width Adjustability B (mm)		Minimum* Allow. Radius for Curve (mm)	Load Chain Diameter (mm) x Chain Fall Lines	Net Weight (kg)	Weight for Additional One Meter of Lift (kg)
				No Load	w/Full Load	No Load	w/Full Load	Standard	Optional				
1/4	TCLP250C	3.0	2.2	46 / 32	26 / 44	1.8 / 1.6	1.6 / 1.8	58 to 102	102 to 203 OR 203 to 305	350	6.3 x 1	24	0.9
1/2	TCLP500C			24 / 16	13 / 24	1.8 / 1.6	1.6 / 1.8						
1	TCLP1000C2			12 / 8	6.5 / 12	1.8 / 1.6	1.6 / 1.8	58 to 127	127 to 203 OR 203 to 305	450	6.3 x 2	34	1.8
3	TCLP(TCLG)3000C			7.3 / 4.4	3.1 / 6.7	3.7 / 3.5	3 / 4	82 to 153	154 to 305	650 (1700)	12.5 x 1	122(129)	3.4(4.3)
6	TCLP(TCLG)6000C2			3.6 / 2.2	1.5 / 3.3	3.7 / 3.5	3 / 4	140 to 220	221 to 305	3000	12.5 x 2	229(250)	6.8(7.7)

Figures in parenthesis are data for geared trolley

*Minimum flange width for curved beam: 1 Ton Push = 73 mm

3 Ton Push and Geared = 89 mm

IMPERIAL DIMENSIONS – TCL Cord and Pendant Model with Push Trolley – Figures 1 and 2

Cap. (Tons)	Product Code	Headroom C (in)	a (in)	b (in)	e (in)	g (in)	h (in)	i (in)	j (in)	k (in)	m (in)	n (in)	r (in)	t (in)
1/4	TCLP250P	15.4	8.0	7.2	1.8	1.0	3.2	2.36	0.8	3.0	1.9	3.3	1.5	0.87
1/2	TCLP500P	15.4	8.0	7.2	1.8	1.0	3.2	2.36	0.8	3.0	1.9	3.3	1.5	0.87
1	TCLP1000P2	17.0	9.8	9.3	2.2	1.1	4.2	2.80	1.2	3.7	2.2	4.4	2.0	0.98
3	TCKP3000C/P	21.1	12.6	12.8	3.2	1.3	5.8	3.94	1.2	5.3	3.1	6.0	2.7	1.42
6	TCKP6000C2/P2	28.8	17.6	18.9	4.1	1.7	7.3	6.10	3.5	6.7	3.4	7.7	6.0	2.76

METRIC DIMENSIONS – TCL Cord and Pendant Model with Push Trolley – Figures 1 and 2

Cap. (Tons)	Product Code	Headroom C (mm)	a (mm)	b (mm)	e (mm)	g (mm)	h (mm)	i (mm)	j (mm)	k (mm)	m (mm)	n (mm)	r (mm)	t (mm)
1/4	TCLP250P	391	203	183	46	25	81	60	20	76	48	84	38	22
1/2	TCLP500P	391	203	183	46	25	81	60	20	76	48	84	38	22
1	TCLP1000P2	424	249	236	56	28	107	71	30	94	56	112	51	25
3	TCKP3000C/P	536	320	325	81	33	147	100	30	135	79	152	69	36
6	TCKP6000C2/P2	732	447	480	104	43	185	155	89	170	86	196	152	70

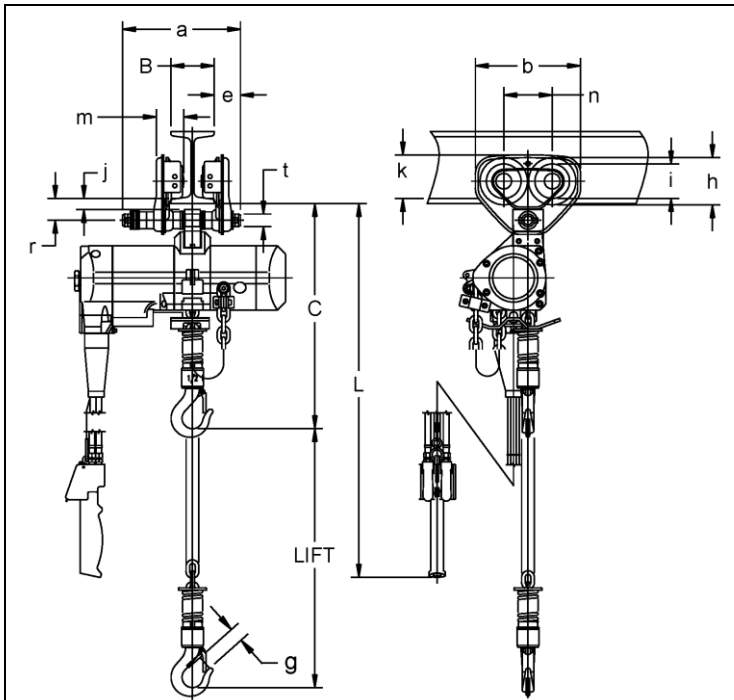


Figure 1 TCLP250/500P

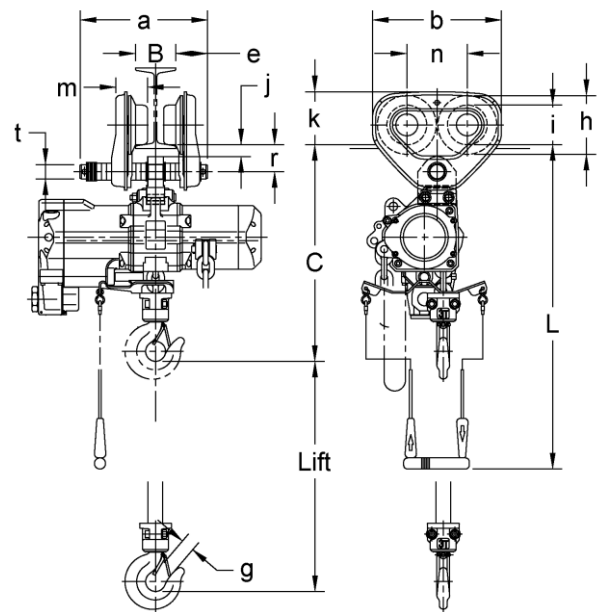


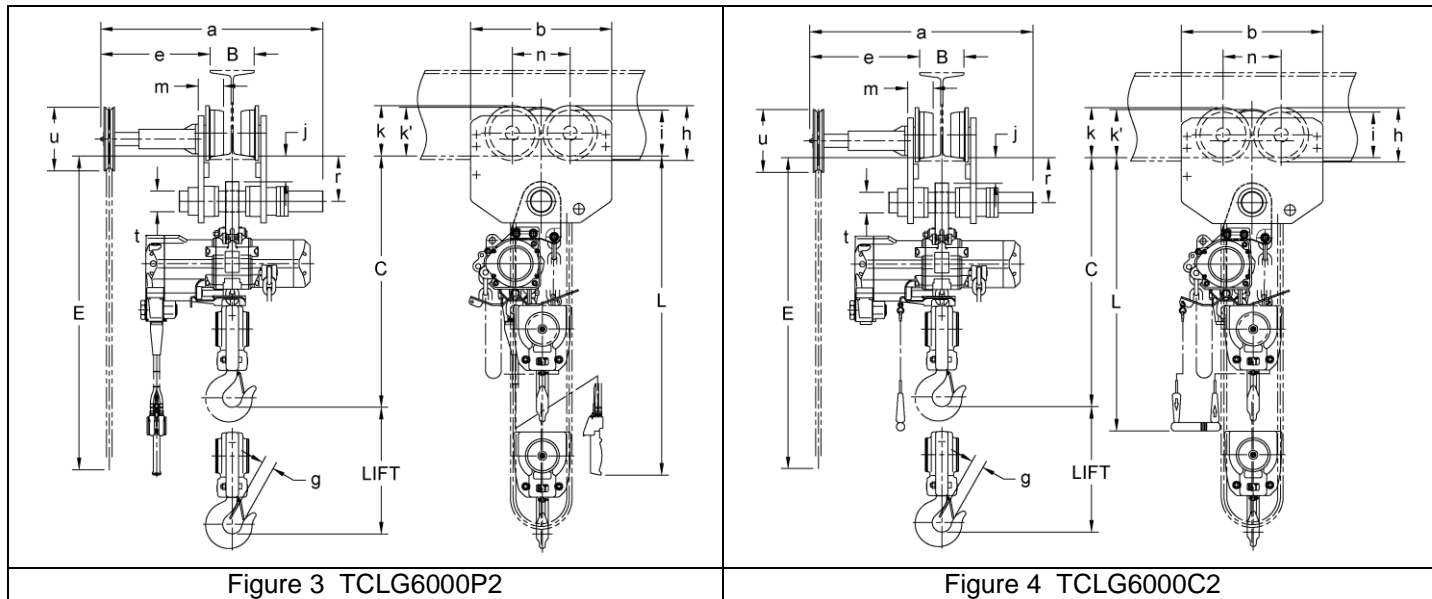
Figure 2 TCLP3000C

IMPERIAL DIMENSIONS – TCL Cord and Pendant Model with Geared Trolley – Figures 3 and 4

Cap. (Tons)	Product Code	Headroom C (in)	a (in)	b (in)	e (in)	g (in)	h (in)	i (in)	j (in)	k (in)	m (in)	n (in)	r (in)	t (in)
3	TCLG3000C/P	21.3	3.13	31.2	12.8	15.9	1.3	5.8	3.94	1.2	5.3	4.5	3.1	6.0
6	TCLG6000C2/P2	29.0	3.47	29.7	18.9	14.6	1.7	7.3	6.10	3.5	6.7	6.4	3.4	7.7

METRIC DIMENSIONS – TCL Cord and Pendant Model with Geared Trolley – Figures 3 and 4

Cap. (Tons)	Product Code	Headroom C (mm)	a (mm)	b (mm)	e (mm)	g (mm)	h (mm)	i (mm)	j (mm)	k (mm)	m (mm)	n (mm)	r (mm)	t (mm)
3	TCLG3000C/P	541	0.95	792	325	404	33	147	100	30	135	114	79	152
6	TCLG6000C2/P2	737	1.06	754	480	371	43	185	155	89	170	163	86	196



END