

**Purpose:**

To provide dimension and specification information for a TCL model air chain hoist.

**TCL Pendant Model:**

**Imperial Specifications:**

Cap. (Tons)	Product Code	Standard Lift (ft)	Push Button Hose L (ft)	Up/Down Speeds (ft/min @ 90 psi)		Up/Down Air Consumption Rates (cubic ft/min @ 90 psi)		Load Chain Diameter (mm) x Chain Fall Lines	Net Weight (lbs)	Weight for Additional One Foot of Lift (lbs)
				No Load	w/Full Load	No Load	w/Full Load			
1/4	TCL250P	10	8.2	151 / 105	85 / 144	64 / 57	57 / 64	6.3 x 1	46	0.6
1/2	TCL500P			79 / 53	43 / 79	64 / 57	57 / 64	6.3 x 1	46	0.6
1	TCL1000P2			39 / 26	21 / 39	64 / 57	57 / 64	6.3 x 2	60	1.2
3	TCL3000P		8.6	24 / 14	10 / 22	131 / 124	106 / 141	12.5 x 1	225	2.3
6	TCL6000P2			12 / 7.2	4.9 / 11	131 / 124	106 / 141	12.5 x 2	295	4.6

**Imperial Dimensions:**

Cap. (Tons)	Product Code	Headroom C (in)	a (in)	b (in)	d (in)	e (in)	g (in)	h (in)	i (in)	j (in)
1/4	TCL250P	16.3	14.4	6.6	6.4	8.0	1.0	4.4	2.2	1.0
1/2	TCL500P	16.3	14.4	6.6	6.4	8.0	1.0	4.4	2.2	1.0
1	TCL1000P2	18.0	14.4	9.0	6.4	8.0	1.1	6.3	2.7	1.9
3	TCL3000P	21.1	22.7	12.3	10.4	12.2	1.3	7.4	4.9	1.3
6	TCL6000P2	30.3	22.7	14.6	10.4	12.2	1.7	9.6	5.0	3.5

**Metric Specifications:**

Cap. (Tons)	Product Code	Standard Lift (m)	Push Button Hose L (m)	Up/Down Speeds (m/min @ 0.6 MPa)		Up/Down Air Consumption Rates (cubic m/min @ 0.6 MPa)		Load Chain Diameter (mm) x Chain Fall Lines	Net Weight (kg)	Weight for Additional One Meter of Lift (kg)
				No Load	w/Full Load	No Load	w/Full Load			
1/4	TCL250P	3	2.5	46 / 32	26 / 44	1.8 / 1.6	1.6 / 1.8	6.3 x 1	21	0.9
1/2	TCL500P			24 / 16	13 / 24	1.8 / 1.6	1.6 / 1.8	6.3 x 1	21	0.9
1	TCL1000P2			12 / 8	6.5 / 12	1.8 / 1.6	1.6 / 1.8	6.3 x 2	27	1.8
3	TCL3000P		2.6	7.3 / 4.4	3.1 / 6.7	3.7 / 3.5	3 / 4	12.5 x 1	102	3.4
6	TCL6000P2			3.6 / 2.2	1.5 / 3.3	3.7 / 3.5	3 / 4	12.5 x 2	134	6.8

**Metric Dimensions:**

Cap. (Tons)	Product Code	Headroom C (mm)	a (mm)	b (mm)	d (mm)	e (mm)	g (mm)	h (mm)	i (mm)	j (mm)
1/4	TCL250P	414	365	168	161	204	25.4	112	56	25.4
1/2	TCL500P	414	365	168	161	204	25.4	112	56	25.4
1	TCL1000P2	456	365	229	161	204	29	159	70	49
3	TCL3000P	537	576	313	265	311	33	188	125	33
6	TCL6000P2	770	576	371	265	311	43	244	127	89

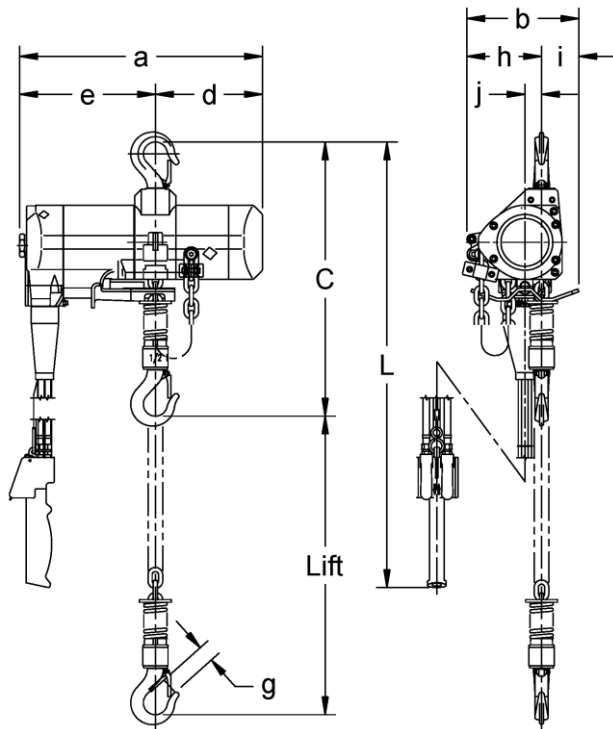


Fig. 1 TCL250P & TCL500P – Single Fall Pendant Model

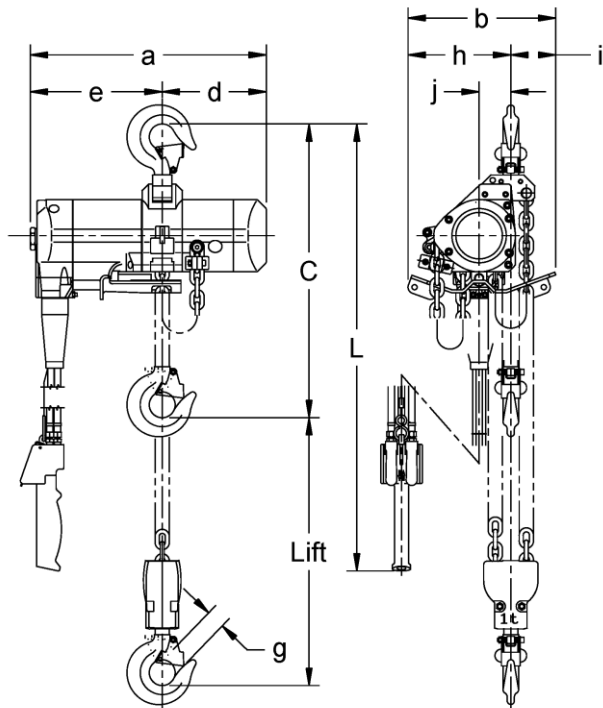


Fig. 2 TCL1000P2 – Double Fall Pendant Model

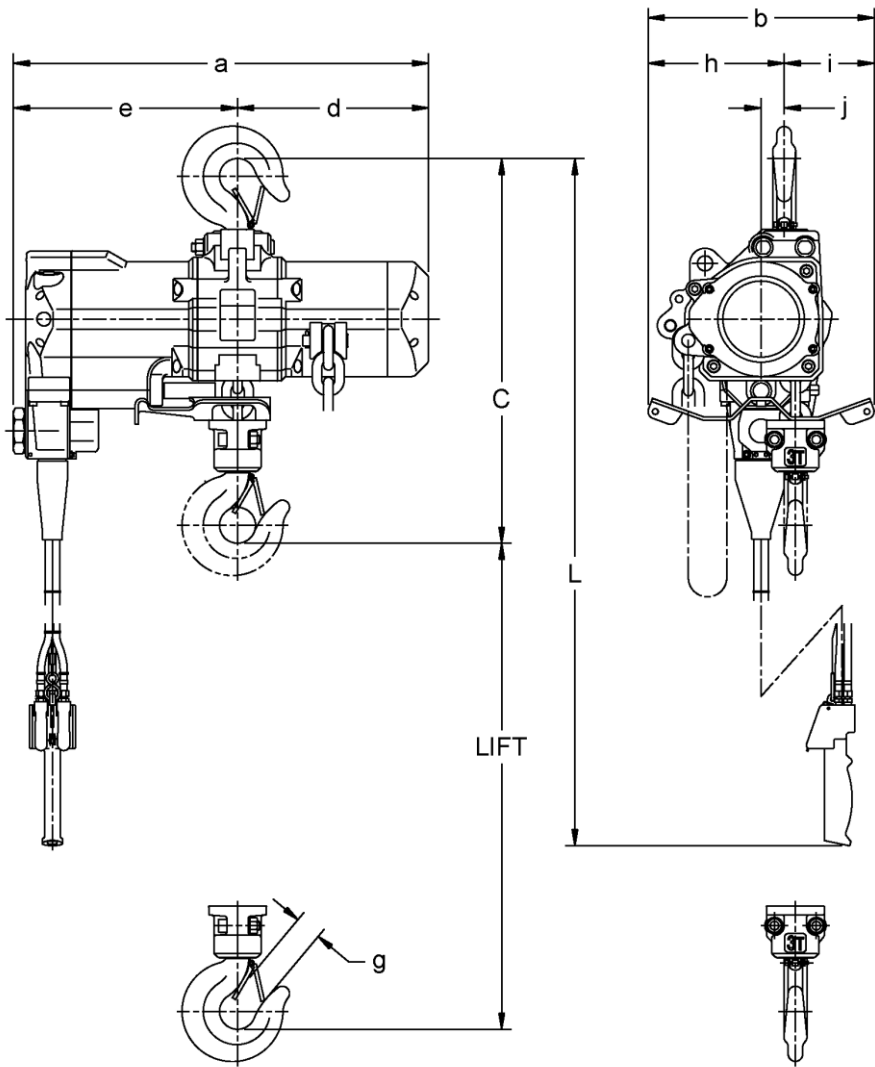


Fig. 3 TCL3000P2 – Single Fall Pendant Model

**TCL Cord Model:**

**Imperial Specifications:**

Cap. (Tons)	Product Code	Standard Lift (ft)	Cord L (ft)	Up/Down Speeds (ft/min @ 90 psi)		Up/Down Air Consumption Rates (cubic ft/min @ 90 psi)		Load Chain Diameter (mm) x Chain Fall Lines	Net Weight (lbs)	Weight for Additional One Foot of Lift (lbs)
				No Load	w/Full Load	No Load	w/Full Load			
1/4	TCL250C	10	7.3	151 / 105	85 / 144	64 / 57	57 / 64	6.3 x 1	44	0.6
1/2	TCL500C			79 / 53	43 / 79	64 / 57	57 / 64	6.3 x 1	44	0.6
1	TCL1000C2			39 / 26	21 / 39	64 / 57	57 / 64	6.3 x 2	58	1.2
3	TCL3000C			24 / 14	10 / 22	131 / 124	106 / 141	12.5 x 1	223	2.3
6	TCL6000C2			12 / 7.2	4.9 / 11	131 / 124	106 / 141	12.5 x 2	293	4.6

**Imperial Dimensions:**

Cap. (Tons)	Product Code	Headroom C (in)	a (in)	b (in)	d (in)	e (in)	g (in)	h (in)	i (in)	j (in)
1/4	TCL250C	16.3	14.4	8.7	6.4	8.0	1.0	5.3	3.3	1.0
1/2	TCL500C	16.3	14.4	8.7	6.4	8.0	1.0	5.3	3.3	1.0
1	TCL1000C2	18.0	14.4	9.0	6.4	8.0	1.1	6.3	2.7	1.9
3	TCL3000C	21.1	22.7	12.3	10.4	12.2	1.3	7.4	4.9	1.3
6	TCL6000C2	30.3	22.7	14.6	10.4	12.2	1.7	9.6	5.0	3.5

**Metric Specifications:**

Cap. (Tons)	Product Code	Standard Lift (m)	Cord L (m)	Up/Down Speeds (m/min @ 0.6 MPa)		Up/Down Air Consumption Rates (cubic m/min @ 0.6 MPa)		Load Chain Diameter (mm) x Chain Fall Lines	Net Weight (kg)	Weight for Additional One Meter of Lift (kg)
				No Load	w/Full Load	No Load	w/Full Load			
1/4	TCL250C	3	2.2	46 / 32	26 / 44	1.8 / 1.6	1.6 / 1.8	6.3 x 1	20	0.9
1/2	TCL500C			24 / 16	13 / 24	1.8 / 1.6	1.6 / 1.8	6.3 x 1	20	0.9
1	TCL1000C2			12 / 8	6.5 / 12	1.8 / 1.6	1.6 / 1.8	6.3 x 2	26	1.8
3	TCL3000C			7.3 / 4.4	3.1 / 6.7	3.7 / 3.5	3 / 4	12.5 x 1	101	3.4
6	TCL6000C2			3.6 / 2.2	1.5 / 3.3	3.7 / 3.5	3 / 4	12.5 x 2	133	6.8

**Metric Dimensions:**

Cap. (Tons)	Product Code	Headroom C (mm)	a (mm)	b (mm)	d (mm)	e (mm)	g (mm)	h (mm)	i (mm)	j (mm)
1/4	TCL250C	414	365	220	161	204	25.4	135	85	25.4
1/2	TCL500C	414	365	220	161	204	25.4	135	85	25.4
1	TCL1000C2	456	365	229	161	204	29	159	70	49
3	TCL3000C	537	576	313	265	311	33	188	125	33
6	TCL6000C2	770	576	371	265	311	43	244	127	89

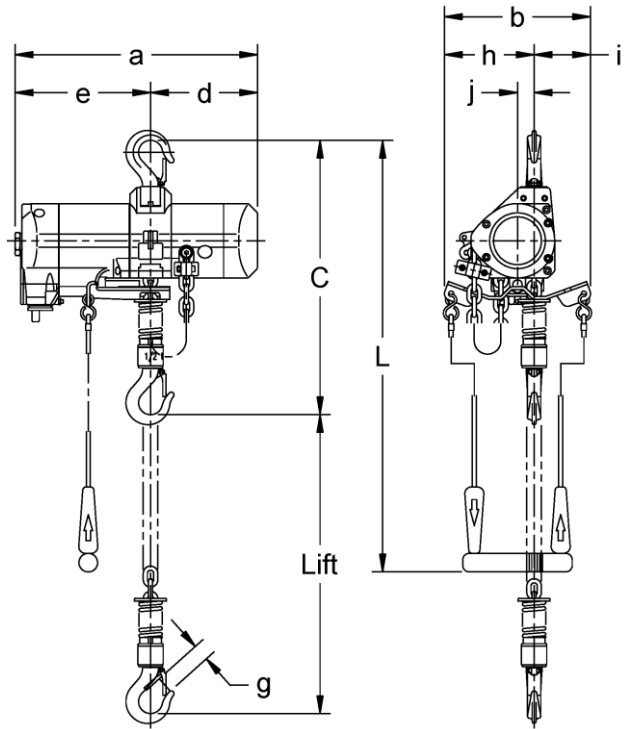


Fig. 5 TCL250C & TCL500C – Single Fall Cord Model

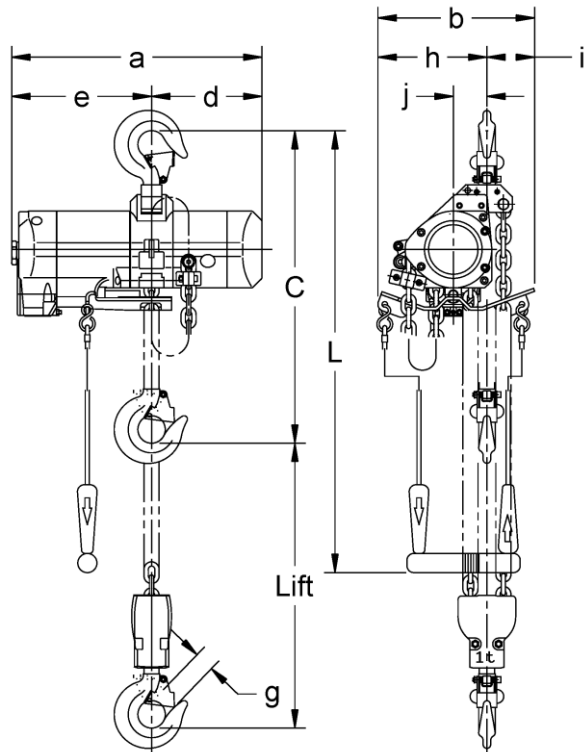


Fig. 6 TCL1000C2 – Double Fall Cord Model

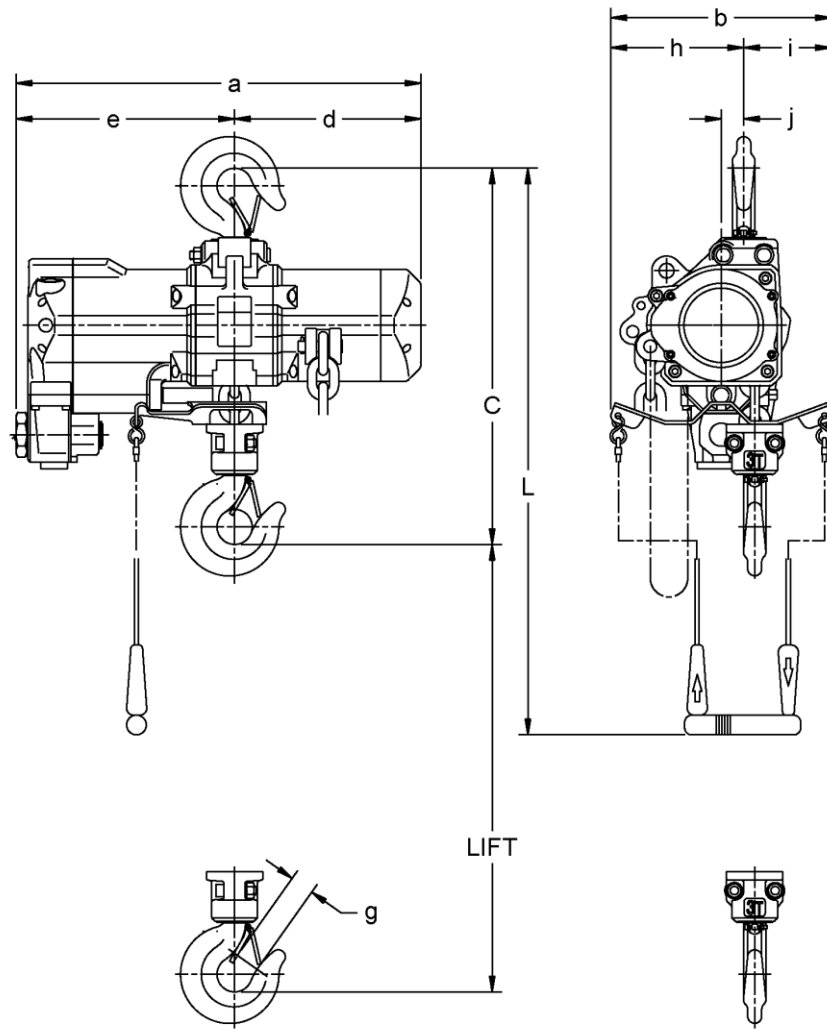


Fig. 7 TCL3000C – Single Fall Cord Model

END