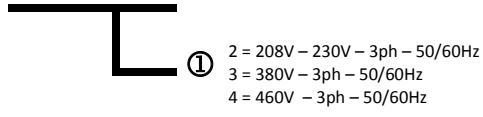




RY Electric Wire Rope Hoist
 Specifications and Dimensions
 Standard Offerings

Ultra-low Headroom Trolley Hoists Specifications – Imperial

Capacity (Tons)	Product Code	Lift (ft)	Flange Range B (in)	Reeving (parts/ reeving)	Rope (mm)	Lifting Motor 3 Phase - 50/60Hz						Traversing Motor 3 Phase - 50/60Hz				Net Weight (lbs.)			
						Lifting Speed ¹ (ft/min)		Output (Hp)	Rated Current ² (amps)				Traversing Speed ² (ft/min)	Output (Hp)	Rated Current (amps) ²				
						Initial High/Low Speed	No Load High Speed		@208V/ 60Hz	@230V/ 60Hz	@380V/ 50Hz	@460V/ 60Hz			Initial High/Low Speed		@208V/ 60Hz	@230V/ 60Hz	@380V/ 50Hz
3	RYU030A25HDD①	25	4.92- 13.78	4/1	9	26/4.3	39	6.7	24.7	22.9	15	12.1	66/11	0.54	1.5	2.1	1.7	1.4	960
			13.79- 19.68																971
	RYU030A33HDD①	33	4.92- 13.78																1048
			13.79- 19.68																1059
5	RYU050B25HDD①	25	4.92- 13.78	4/1	9	26/4.3	39	10.7	36.5	34.0	23.6	18.3	66/11	0.54	1.5	2.1	1.7	1.4	993
			13.79- 19.68																1004
	RYU050B33HDD①	33	4.92- 13.78																1092
			13.79- 19.68																1103
7.5	RYU075C30HDD①	30	5.9-13.78	4/1	13	20/3.3	30	17.7	43.4	39.6	24.9	19.0	66/11	1.0	3.9	4.4	2.5	2.6	2227
			13.79- 20.00																2258
	RYU075C40HDD①	40	5.9-13.78																2397
			13.79- 20.00																2428
10	RYU100C30HDD①	30	5.9-13.78	4/1	13	20/3.3	30	17.7	56.1	51.4	31.8	24.8	66/11	1.0	3.9	4.4	2.5	2.6	2227
			13.79- 20.00																2258
	RYU100C40HDD①	40	5.9-13.78																2397
			13.79- 20.00																2428



- 1) Low and high speeds are adjustable
- 2) Current values based on 250 kVA power supply

Ultra-low Headroom Trolley Hoists Specifications - Metric

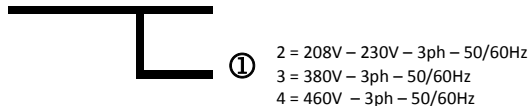
Capacity (Tons)	Product Code	Lift (m)	Flange Range B (mm)	Reeving (parts/ reeving)	Rope (mm)	Lifting Motor 3 Phase - 50/60Hz						Traversing Motor 3 Phase - 50/60Hz						Net Weight (kg)	
						Lifting Speed ¹ (m/min)		Output (kW)	Rated Current ² (amps)				Traversing Speed ² (m/min)	Output (kW)	Rated Current (amps) ²				
						Initial High/Low Speed	No Load High Speed		@208V/ 60Hz	@230V/ 60Hz	@380V/ 50Hz	@460V/ 60Hz			Initial High/Low Speed	@208V/ 60Hz	@230V/ 60Hz		@380V/ 50Hz
3	RYU030A25HDD①	7.6	125-350	4/1	9	8/1.3	12	5.0	24.7	22.9	15	12.1	20/3.3	0.4	1.5	2.1	1.7	1.4	435
			351-500																440
	RYU030A33HDD①	10.2	125-350																475
			351-500																480
5	RYU050B25HDD①	7.6	125-350	4/1	9	8/1.3	12	8.0	36.5	34.0	23.6	18.3	20/3.3	0.4	1.5	2.1	1.7	1.4	450
			351-500																455
	RYU050B33HDD①	10.2	351-500																495
			125-350																500
7.5	RYU075C30HDD①	9	150-350	4/1	13	6/1	9	13.2	43.4	39.6	24.9	19.0	20/3.3	0.75	3.9	4.4	2.5	2.6	1011
			351-508																1025
	RYU075C40HDD①	12	150-350																1088
			351-508																1102
10	RYU100C30HDD①	9	150-350	4/1	13	6/1	9	13.2	56.1	51.4	31.8	24.8	20/3.3	0.75	3.9	4.4	2.5	2.6	1011
			351-508																1025
	RYU100C40HDD①	12	150-350																1088
			351-508																1102

① 2 = 208V – 230V – 3ph – 50/60Hz
 3 = 380V – 3ph – 50/60Hz
 4 = 460V – 3ph – 50/60Hz

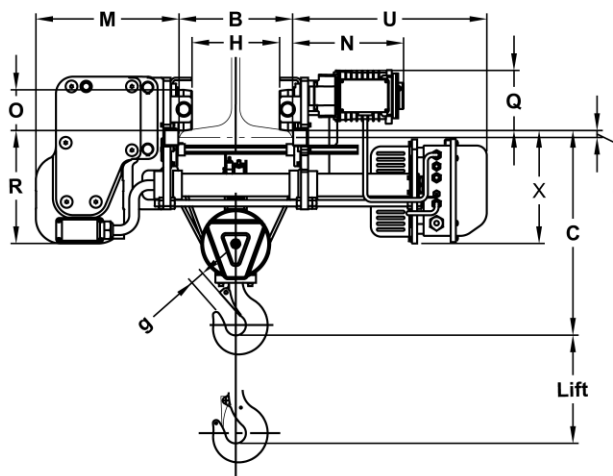
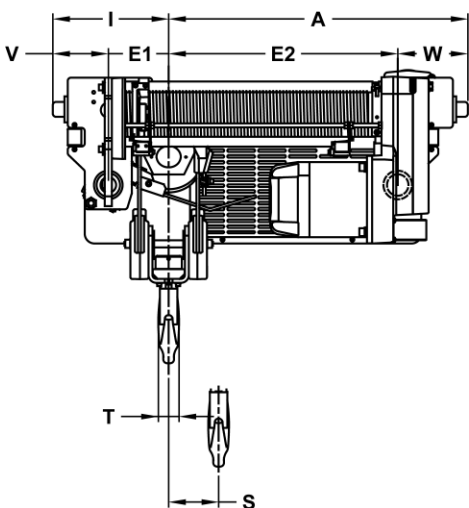
- 1) Low and high speeds are adjustable
- 2) Current values based on 250 kVA power supply

Ultra-low Headroom Trolley Hoists Dimensions - Imperial

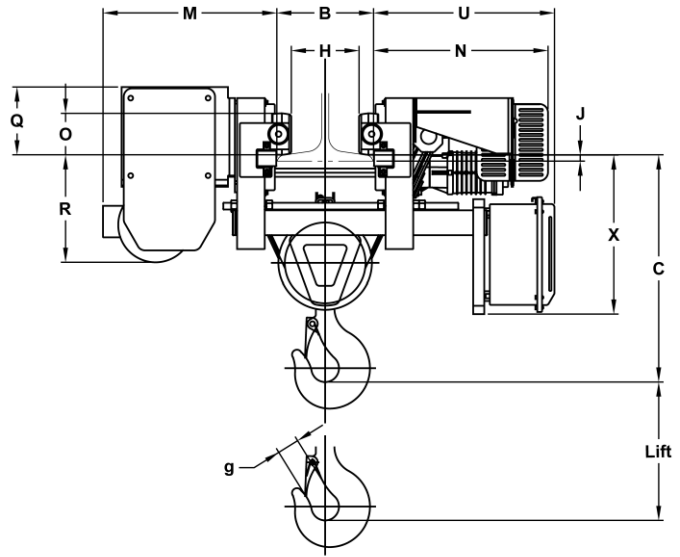
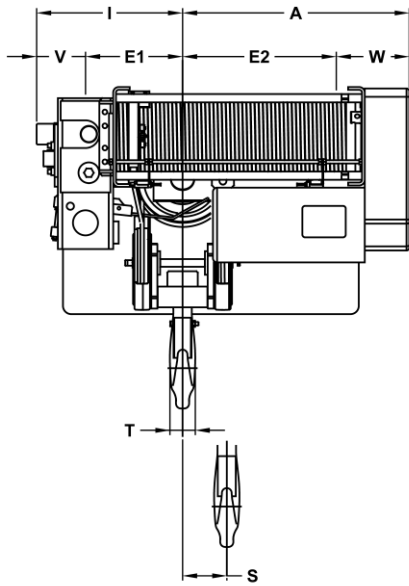
Capacity (Tons)	Product Code	Lift (ft)	Flange Range B (in)	Dimensions (in)																		
				A	C	E1	E2	g	H	I	J	M	N	O	Q	R	S	T	U	V	W	X
3	RYU030A25HDD①	25	4.92-13.78	36.3	25.0	7.3	27.8	1.7	B-3.1	14.1	1.3 or less	17.4	13.5	4.92	7.3	13.7	6.1	2.1	32.4-23.6	6.7	8.5	13.7
			13.79-19.68																29.5-23.6			
	RYU030A33HDD①	33	4.92-13.78	44.7															32.4-23.6			
			13.79-19.68																29.5-23.6			
5	RYU050B25HDD①	25	4.92-13.78	36.3	25.6	7.3	27.8	1.8	B-3.1	14.1	1.3 or less	17.4	13.5	4.92	7.3	13.7	6.1	2.5	32.4-23.6	6.7	8.5	13.7
			13.79-19.68																29.5-23.6			
	RYU050B33HDD①	33	4.92-13.78	44.7															32.4-23.6			
			13.79-19.68																29.5-23.6			
7.5	RYU075C30HDD①	30	5.9-13.78	32.3	32.3	13.4	21.6	2.8	B-4.1	20.8	1.6 or less	24.7	24.8	5.9	9.6	15.3	6.3	3.5	33.6-25.8	7.4	10.7	22.6
			13.79-20.00																31.7-25.8			
	RYU075C40HDD①	40	5.9-13.78	40.8															33.6-25.8			
			13.79-20.00																31.7-25.8			
10	RYU100C30HDD①	30	5.9-13.78	32.3	32.3	13.4	21.6	2.8	B-4.1	20.8	1.6 or less	24.7	24.8	5.9	9.6	15.3	6.3	3.5	33.6-25.8	7.4	10.7	22.6
			13.79-20.00																31.7-25.8			
	RYU100C40HDD①	40	5.9-13.78	40.8															33.6-25.8			
			13.79-20.00																31.7-25.8			



- 1) Low and high speeds are adjustable
- 2) Current values based on 250 kVA power supply



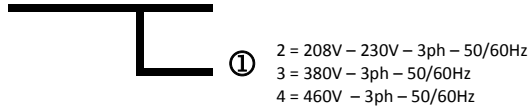
RY030 and RY050 Dimensions



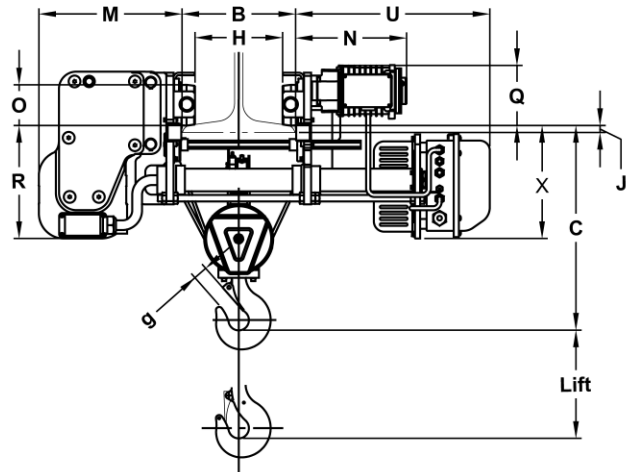
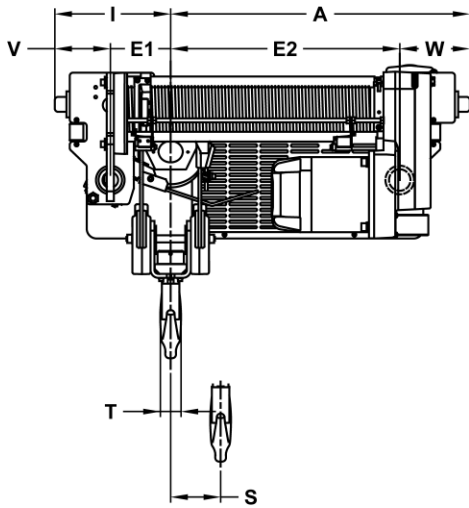
RY075 and RY100 Dimensions

Ultra-low Headroom Trolley Hoists Dimensions - Metric

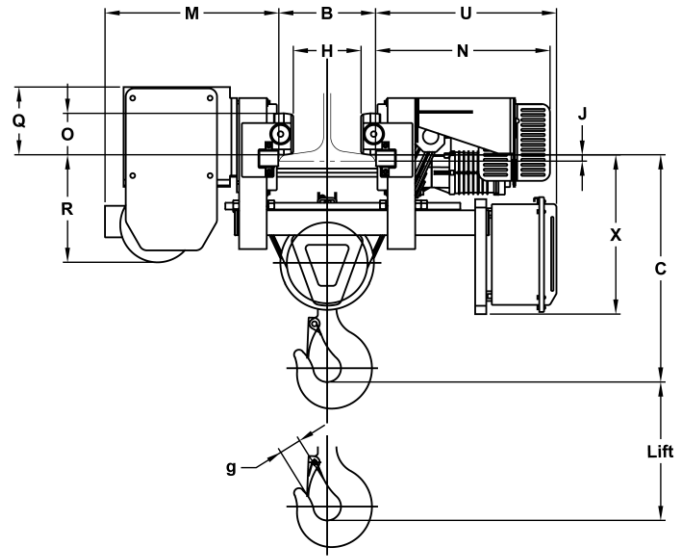
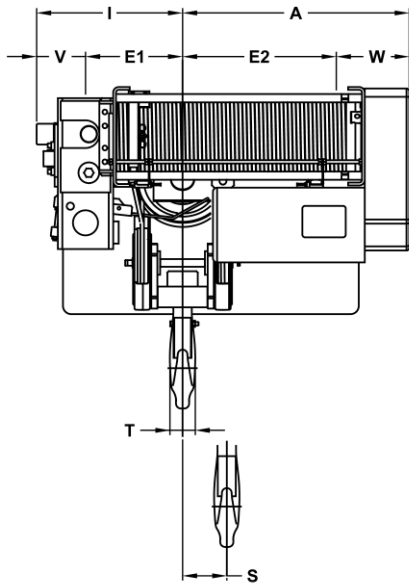
Capacity (Tons)	Product Code	Lift (m)	Flange Range B (mm)	Dimensions (mm)																		
				A	C	E1	E2	g	H	I	J	M	N	O	Q	R	S	T	U	V	W	X
3	RYU030A25HDD①	7.6	125-350 351-508	922	635	186	706	43	B-78	357	33 or less	441	342	125	186	348	155	53	824-599	170	216	348
	RYU030A33HDD①	10.2	125-350 351-508	1134			918										206		748-599			
5	RYU050B25HDD①	7.6	125-350 351-508	922	651	186	706	45	B-78	357	33 or less	441	342	125	186	348	155	63	824-599	170	216	348
	RYU050B33HDD①	10.2	125-350 351-508	1134			918										206		748-599			
7.5	RYU075C30HDD①	9	150-350 351-508	820	820	339	548	72	B-105	528	40 or less	628	631	150	245	388	160	90	855-655	189	272	575
	RYU075C40HDD①	9	150-350 351-508	1035			763										213		804-655			
10	RYU100C30HDD①	12	150-350 351-508	820	820	339	548	72	B-105	528	40 or less	628	631	150	245	388	160	90	855-655	189	272	575
	RYU100C40HDD①	12	150-350 351-508	1035			763										213		804-655			



- 1) Low and high speeds are adjustable
- 2) Current values based on 250 kVA power supply



RY030 and RY050 Dimensions



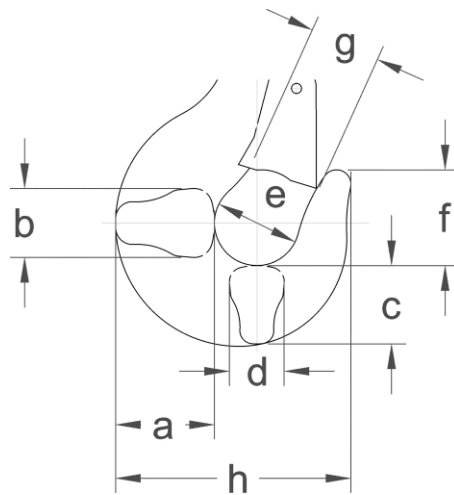
RY075 and RY100 Dimensions

Ultra-low Headroom Trolley Hoists Bottom Hook Dimensions - Imperial

Capacity (Tons)	Product Code	a (in)	b (in)	c (in)	d (in)	e (in)	f (in)	g (in)	h (in)
3	RYU030A25HDD①	2.6	2.1	2.3	1.8	2.5	2.8	1.7	6.7
	RYU030A33HDD①								
5	RYU050B25HDD①	3.2	2.5	2.6	2.1	2.8	3.2	1.8	7.6
	RYU050B33HDD①								
7.5	RYU075C30HDD①	4.4	3.5	3.7	3.0	3.9	4.5	2.8	10.9
	RYU075C40HDD①								
10	RYU100C30HDD①	4.4	3.5	3.7	3.0	3.9	4.5	2.8	10.9
	RYU100C40HDD①								



① 2 = 208V – 230V – 3ph – 50/60Hz
 3 = 380V – 3ph – 50/60Hz
 4 = 460V – 3ph – 50/60Hz



Ultra-low Headroom Trolley Hoists Bottom Hook Dimensions - Metric

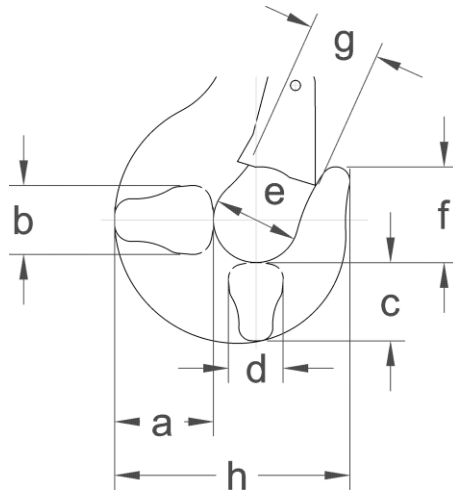
Capacity (Tons)	Product Code	a (mm)	b (mm)	c (mm)	d (mm)	e (mm)	f (mm)	g (mm)	h (mm)
3	RYU030A25HDD ^①	67	53	58	45	63	72	43	169
	RYU030A33HDD ^①								
5	RYU050B25HDD ^①	80	63	67	53	71	80	45	194
	RYU050B33HDD ^①								
7.5	RYU075C30HDD ^①	112	90	95	75	100	113	72	276
	RYU075C40HDD ^①								
10	RYU100C30HDD ^①	112	90	95	75	100	113	72	276
	RYU100C40HDD ^①								

①

2 = 208V – 230V – 3ph – 50/60Hz

3 = 380V – 3ph – 50/60Hz

4 = 460V – 3ph – 50/60Hz

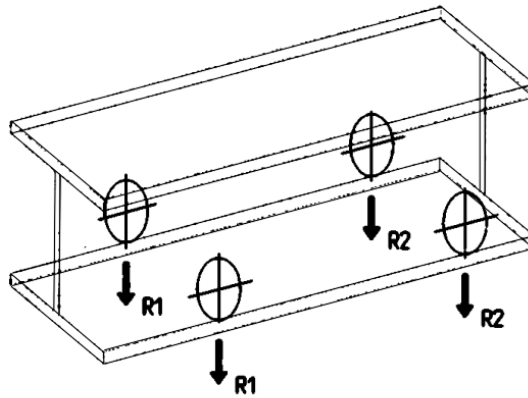


Ultra-low Headroom Trolley Hoists Reaction Forces at Rated Load – Imperial

Capacity (Tons)	Ultra-Low Headroom Trolley Hoists Wheel Reaction Forces			
	Product Code	Flange Range B (in)	R1 (lb)	R2 (lb)
3	RYU030A25HDD①	4.92-13.78	2994	789
		13.79-19.68	2999	790
	RYU030A33HDD①	4.92-13.78	3182	645
		13.79-19.68	3187	646
5	RYU050B25HDD①	4.92-13.78	4751	1252
		13.79-19.68	4755	1253
	RYU050B33HDD①	4.92-13.78	5032	1020
		13.79-19.68	5037	1021
7.5	RYU075C30HDD①	5.9-13.78	5797	3586
		13.79-20.00	5806	3592
	RYU075C40HDD①	5.9-13.78	6555	2913
		13.79-20.00	6566	2917
10	RYU100C30HDD①	5.9-13.78	7500	4639
		13.79-20.00	7509	4645
	RYU100C40HDD①	5.9-13.78	8463	3760
		13.79-20.00	8474	3765



- ① 2 = 208V – 230V – 3ph – 50/60Hz
 3 = 380V – 3ph – 50/60Hz
 4 = 460V – 3ph – 50/60Hz



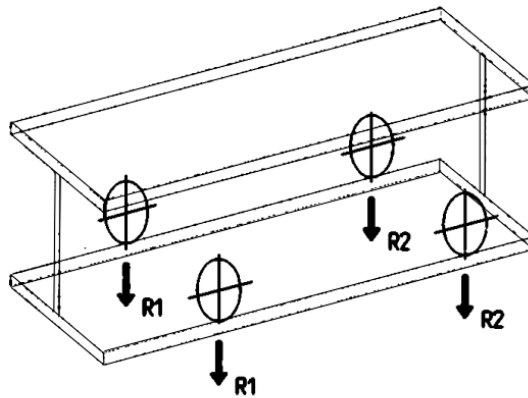
Ultra-Low Headroom
Trolley Hoist Wheel Reaction Forces

Ultra-low Headroom Trolley Hoists Reaction Forces at Rated Load – Metric

Capacity (Tons)	Ultra-Low Headroom Trolley Hoists Wheel Reaction Forces			
	Product Code	Flange Range B (mm)	R1 (kg)	R2 (kg)
3	RYU030A25HDD①	125-350	1358	358
		351-500	1360	359
	RYU030A33HDD①	125-350	1444	293
		351-500	1446	293
5	RYU050B25HDD①	125-350	2155	568
		351-500	2157	569
	RYU050B33HDD①	125-350	2283	463
		351-500	2285	463
7.5	RYU075C30HDD①	150-350	2630	1627
		351-508	2634	1630
	RYU075C40HDD①	150-350	2974	1322
		351-508	2979	1324
10	RYU100C30HDD①	150-350	3402	2105
		351-508	3407	2107
	RYU100C40HDD①	150-350	3839	1706
		351-508	3844	1708




① 2 = 208V-230V – 3ph – 50/60Hz
 3 = 380V – 3ph – 50/60Hz
 4 = 460V – 3ph – 50/60Hz

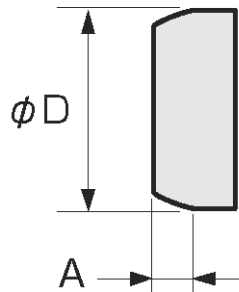


Ultra-Low Headroom
Trolley Hoist Wheel Reaction Forces

Ultra-low Headroom Trolley Hoists Trolley Wheel Dimensions – Imperial

Capacity (Tons)	Product Code	A (in)	ϕD (in)
3	RYU030A25HDD①	0.79	4.92
	RYU030A33HDD①		
5	RYU050B25HDD①	0.79	4.92
	RYU050B33HDD①		
7.5	RYU075C30HDD①	1.42	5.91
	RYU075C40HDD①		
10	RYU100C30HDD①	1.42	5.91
	RYU100C40HDD①		


 2 = 208V–230V – 3ph – 50/60Hz
 3 = 380V – 3ph – 50/60Hz
 4 = 460V – 3ph – 50/60Hz



Ultra-low Headroom Trolley Hoists Trolley Wheel Dimensions – Metric

Capacity (Tons)	Product Code	A (mm)	ϕD (mm)
3	RYU030A25HDD①	20	125
	RYU030A33HDD①		
5	RYU050B25HDD①	20	125
	RYU050B33HDD①		
7.5	RYU075C30HDD①	36	150
	RYU075C40HDD①		
10	RYU100C30HDD①	36	150
	RYU100C40HDD①		



① 2 = 208V–230V – 3ph – 50/60Hz
 3 = 380V – 3ph – 50/60Hz
 4 = 460V – 3ph – 50/60Hz

