

**Purpose:**

To provide dimension and specification information for hook mount, dual speed, single phase SEQ model electric chain hoist.

**Imperial Specifications - Dual Speed Hoist:**

Cap. (Tons)	Product Code	Standard Lift (ft)	Push Button Cord L (ft)	Lifting Speed <sup>2</sup> (ft/min)			Hoist Data <sup>1</sup> Single Phase			Load Chain Diameter (mm) x Chain Fall Lines	Net Weight (lbs)	Weight for Additional One Foot of Lift (lbs)
				High	Low	No load High Speed	Output (Hp)	Rated Current (amps)				
								@115V-60Hz	@220-230V-50/60Hz			
1/8	SEQ001SD	10	8.2	56	9.2	72	0.67	11.0	7.1	5.6 x 1	71	0.48
1/4	SEQ003SD			33	5.5	43		12.7	7.2			
1/2	SEQ005SD			25	4.2	32	1.0	14.9	9.0			
1	SEQ010SD			17	3.9	30	1.3	19.5	12.0	7.1 x 1	97	0.77

- 1) Hoists are voltage re-connectable between 115/220-230V  
2) Speeds are adjustable between low and high speed

**Imperial Dimensions - Dual Speed Hoist:**

Capacity (Tons)	Product Code	Headroom C (in)		D (in)		a (in)	b (in)	d (in)	e (in)	f (in)	g (in)	h (in)	i (in)
		Top Hook	Susp. bar	Top Hook	Susp. bar								
1/8	SEQ001SD	17.3	15.6	21.0	19.1	16.4	14.4	9.1	7.4	11.7	1.1	5.4	5.0
1/4	SEQ003SD												
1/2	SEQ005SD	18.0	16.1	23.5	21.1	17.0	15.9	9.6	7.4	13.1	1.2	6.1	5.6
1	SEQ010SD	20.7	18.3										

**Metric Specifications - Dual Speed Hoist:**

Cap. (Tons)		Product Code	Standard Lift (m)	Push Button Cord L (m)	Lifting Speed <sup>2</sup> (m/min)			Hoist Data <sup>1</sup> Single Phase			Load Chain Diameter (mm) x Chain Fall Lines	Net Weight (kg)	Weight for Additional One Meter of Lift (kg)
Mexico/CA (TONS)	South America				High	Low	No load High Speed	Output (Hp)	Rated Current (amps)				
									@115V-60Hz	@220-230V-50/60Hz			
1/8	125kg	SEQ001SD	3.0	2.5	17	2.8	22	0.5	11.0	7.1	5.6 x 1	32	0.71
1/4	250kg	SEQ003SD			10	1.7	13		12.7	7.2			
1/2	500kg	SEQ005SD			7.6	1.3	9.9	0.75	14.9	9.0			
1	1 t	SEQ010SD			5.1	1.2	9.2	1.0	19.5	12.0	7.1 x 1	44	1.14

- 1) Hoists are voltage re-connectable between 115/220-230V  
2) Speeds are adjustable between low and high speed

**Metric Dimensions - Dual Speed Hoist:**

Cap. (Tons)		Product Code	Headroom C (mm)		D (mm)		a (mm)	b (mm)	d (mm)	e (mm)	f (mm)	g (mm)	h (mm)	i (mm)
Mexico/CA (TONS)	South America		Top Hook	Susp. bar	Top Hook	Susp. bar								
1/8	125kg	SEQ001SD	440	395	533	485	417	367	230	187	298	27	137	128
1/4	250kg	SEQ003SD												
1/2	500kg	SEQ005SD	458	410	597	535	433	403	245	188	332	31	154	142
1	1 t	SEQ010SD	525	465										

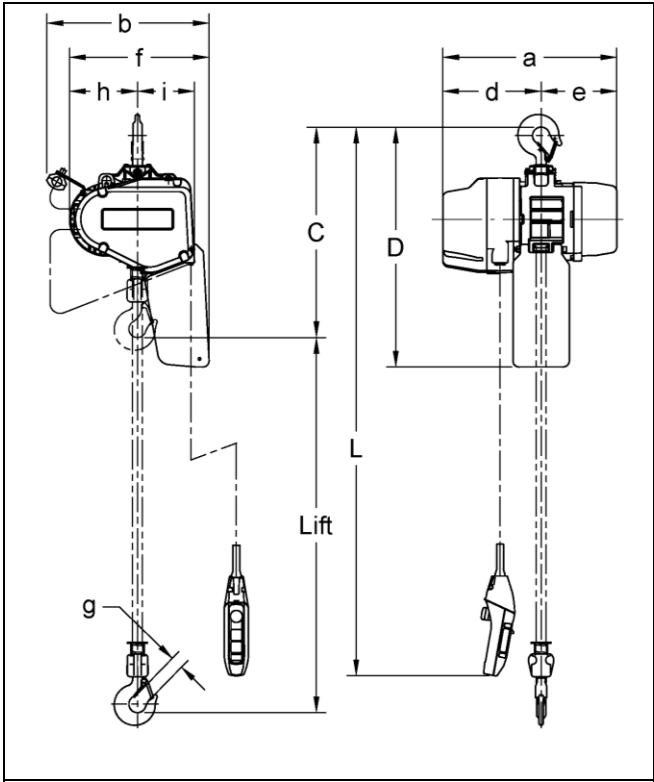


Figure 1 – SEQ010SD Hook Mount, Dual Speed

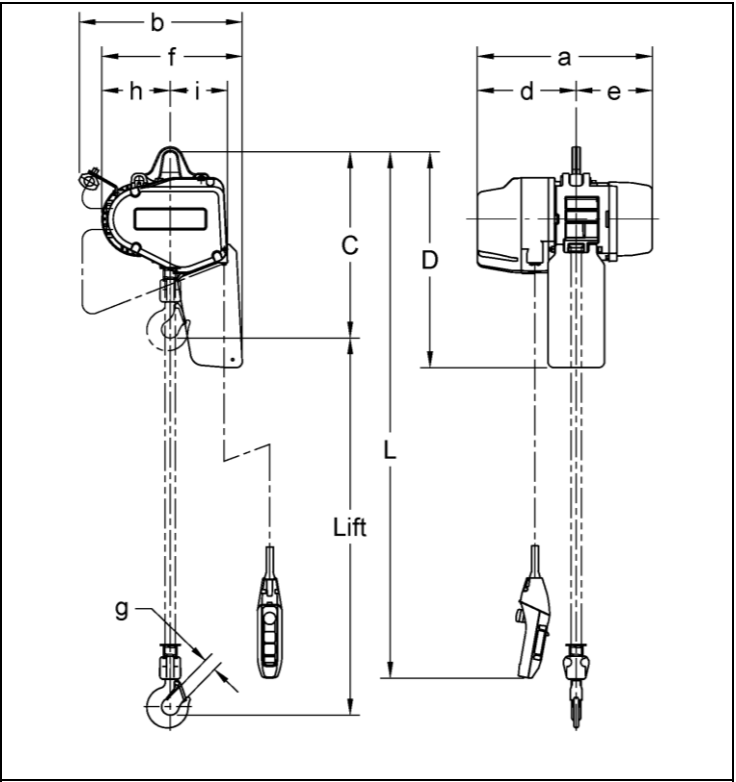


Figure 2 – SEQ010SD Suspension Bar Mount, Dual Speed