



EQG & EQP Electric Chain Hoist with Manual Trolley
Models EQ1 and TS2
Specifications and Dimensions

PURPOSE

To provide dimension and specification information for dual speed inverter EQ model electric chain hoist equipped with manual push and geared trolleys.

IMPERIAL SPECIFICATIONS – DUAL SPEED HOIST WITH GEARED OR PUSH TROLLEY (EQP/EQG)

Cap. (Tons)	Product Code	Standard Lift (ft)	Push Button Cord L (ft)	Lifting Speed ² (ft/min)			Lifting Motor ¹ 3 Phase 50/60 Hz			Flange Width Adjustability ³ B (in)		Minimum ^{3,4} Allow. Radius for curve (in)	Load Chain Diameter (mm) x Chain Fall Lines	Net Weight ⁴ (lbs)	Weight for Additional One Foot of Lift (lbs)
				High	Low	No load High Speed	Output (Hp)	Rated Current (amps)		Standard	Optional				
								@208 - 230V	@380- 460V						
1/8	EQ(P/G)001SD	10	8.2	56	9.3	72	0.67	5.1	2.8	2.28 to 4.00 (2.28 to 5.00)	4.01 to 8.00 (5.01 to 8.00) OR 8.01 to 12.00	43.3 (51.2)	5.6 x 1	75 (97)	0.48
1/4	EQ(P/G)003SD			33	5.5	43								75 (99)	
1/2	EQ(P/G)005SD			25	4.2	32	1.0	6.3	3.3	79 (104)					
1	EQ(P/G)010SD			23	3.8	30	2.0	10.5	5.5	2.28 to 5.00	5.01 to 8.00 OR 8.01 to 12.00	51.2	7.1 x 1	108 (123)	

- 1) Although different voltages are shown, motors are **NOT** re-connectable and voltage can **NOT** be changed due to electrical components being voltage specific.
- 2) Speeds are adjustable between low and high speed
- 3) Figures in parentheses are data for geared trolley if different than push trolley.
- 4) Minimum Flange Width for curved beam: 1 Ton Push and 1/8 to 1 Ton Geared = 2.87 in.

IMPERIAL DIMENSIONS - DUAL SPEED HOIST WITH GEARED TROLLEY

Cap. (Tons)	Product Code	Headroom C (in)	D (in)	E (ft)	a (in)	b (in)	e (in)	g (in)	h (in)	i (in)	j (in)	k (in)	k' (in)	m (in)	n (in)	r (in)	t (in)	
1/8	EQG001SD	16.7	20.3	10.5	20.9	9.3	13.3	1.1	4.2	2.8	1.1	3.7	4.2	2.2	4.4	2.0	0.98	
1/4	EQG003SD																	
1/2	EQG005SD							17.3										1.2
1	EQG010SD	19.3	22.2															

IMPERIAL DIMENSIONS - DUAL SPEED HOIST WITH PUSH TROLLEY

Cap. (Tons)	Product Code	Headroom C (in)	D (in)	a (in)	b (in)	e (in)	g (in)	h (in)	i (in)	j (in)	k (in)	m (in)	n (in)	r (in)	t (in)
1/8	EQP001SD	16.3	19.9	10.4	7.2	1.8	1.1	3.2	2.4	0.75	3.0	1.9	3.3	1.5	0.87
1/4	EQP003SD														
1/2	EQP005SD														
1	EQP010SD	19.3	22.2	11.2	9.3	2.2	1.2	4.2	2.8	0.98	3.7	2.2	4.4	2.0	0.98



EQG & EQP Electric Chain Hoist with Manual Trolley
Models EQ1 and TS2
Specifications and Dimensions

METRIC SPECIFICATIONS - DUAL SPEED HOIST WITH GEARED OR PUSH TROLLEY – EQP/EQG

Cap.		Product Code	Standard Lift (m)	Push Button Cord L (m)	Lifting Speed ² (m/min)			Lifting Motor ¹ 3 Phase 50/60 Hz			Flange Width Adjustability ³ B (mm)		Minimum ^{3,4} Allow. Radius for curve (mm)	Load Chain Diameter (mm) x Chain Fall Lines	Net Weight ⁴ (kg)	Weight for Additional One Meter of Lift (kg)
Mexico/CA (TONS)	South America				High	Low	No load High Speed	Output (kW)	Rated Current (amps)		Standard	Optional				
									@208 - 230V	@380-460V						
1/8	125kg	EQ(P/G)001SD	3.0	2.5	17	2.8	22	0.5	5.1	2.8	58 to 102 (58 to 127)	103 to 203 (128 to 203) OR 204 to 305	1100 (1300)	5.6 x 1	0.71	
1/4	250kg	EQ(P/G)003SD			10	1.7	13									
1/2	500kg	EQ(P/G)005SD			7.6	1.3	9.9									0.75
1	1t	EQ(P/G)010SD			7.1	1.2	9.2	1.5	10.5	5.5	58 to 127	128 to 203 OR 204 to 305	1300	7.1 x 1	49 (56)	1.14

- 1) Although different voltages are shown, motors are **NOT** re-connectable and voltage can **NOT** be changed due to electrical components being voltage specific.
- 2) Speeds are adjustable between low and high speed
- 3) Figures in parentheses are data for geared trolley if different than push trolley.
- 4) Minimum Flange Width for curved beam: 1 Ton Push and 1/8 to 1 Ton Geared = 73mm.

METRIC DIMENSIONS - DUAL SPEED HOIST WITH GEARED TROLLEY

Cap.		Product Code	Headroom C (mm)	D (m)	E (m)	a (mm)	b (mm)	e (mm)	g (mm)	h (mm)	i (mm)	j (mm)	k (mm)	k' (mm)	m (mm)	n (mm)	r (mm)	t (mm)	u (mm)
Mexico/CA (TONS)	South America																		
1/8	125kg	EQG001SD	425	515	3.2	531	236	338	27	106	71	29	95	106	56	112	50	25	183
1/4	250kg	EQG003SD																	
1/2	500kg	EQG005SD	440																
1	1t	EQG010SD	490	565					31										

METRIC DIMENSIONS - DUAL SPEED HOIST WITH PUSH TROLLEY

Cap.		Product Code	Headroom C (mm)	D (mm)	a (mm)	b (mm)	e (mm)	g (mm)	h (mm)	i (mm)	j (mm)	k (mm)	m (mm)	n (mm)	r (mm)	t (mm)
Mexico/CA (TONS)	South America															
1/8	125kg	EQP001SD	415	505	264	182	46	27	82	60	19	76	47.5	84	38	22
1/4	250kg	EQP003SD														
1/2	500kg	EQP005SD	430													
1	1t	EQP010SD	490	565	284	236	56	31	106	71	25	95	56	112	50	25

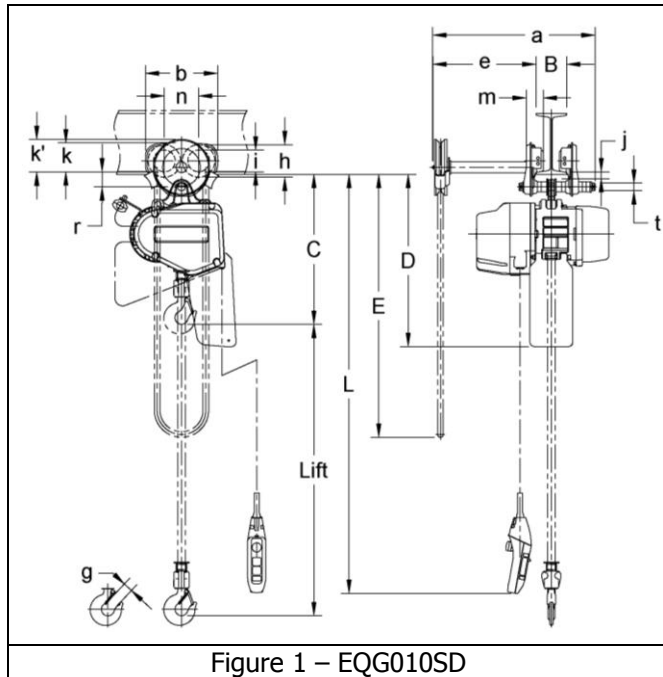


Figure 1 – EQG010SD

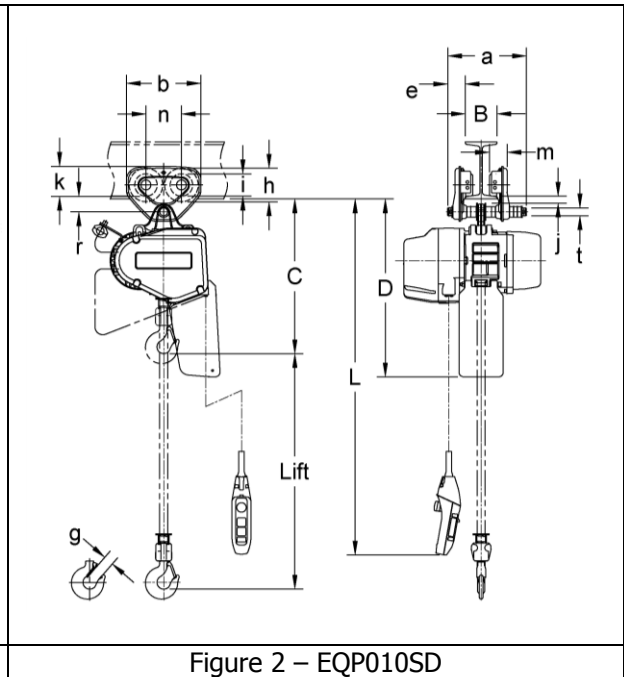


Figure 2 – EQP010SD

END