



# ED Electric Chain Hoist V Model Specifications and Dimensions

**Purpose:**

To provide dimension and specification information for the EDV, ED3A electric chain hoist.

**Imperial Specifications:**

Cap. (lbs)	Product Code	Lifting Speed (ft/min)	Lifting Speed (maximum, ft/min)	Load Chain Wire Diameter (mm) x Chain Fall Lines	Load Sheave Pockets	Standard Lift (ft)	Push Button Cord L (ft)	Motor Output (HP)	Intermittent Duty Rating		Short Time Duty Rating (min)	Rated Current at 120V (amps)
									Duty Rating % ED	Max. Start Freq. (Times/Hr)		
250	ED250V	16	26	4.0 x 1	4	10	8	0.4	20	120	10	6
350	ED350V	16	44		5			0.8	30	180	20	10
500	ED500V	16	44					0.8	30	180	20	10
1000	ED1000V	8	22	4.0 x 2	0.8			30	180	20	10	

**Imperial Dimensions and Weights:**

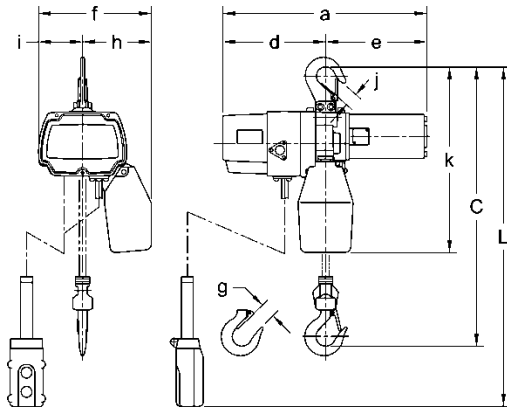
Cap. (lbs)	Headroom C (in)	a (in)	d (in)	e (in)	f (in)	g (in)	h (in)	i (in)	j (in)	k (in)	Net Weight (lbs)	Weight for Additional One Foot of Lift (lbs)
250	12.4	14.6	7.4	7.2	8.1	1.0	4.9	3.1	1.0	13.4	24	0.26
350	13.0	16.9	8.1	8.8	8.6		5.3	3.3		14.3	33	
500	13.0	16.9	8.1	8.8	8.6		5.3	3.3		14.3	33	
1000	20.5	16.9	8.1	8.8	9.0	0.9	6.1	2.9		17.9	46	0.49

**Metric Specifications:**

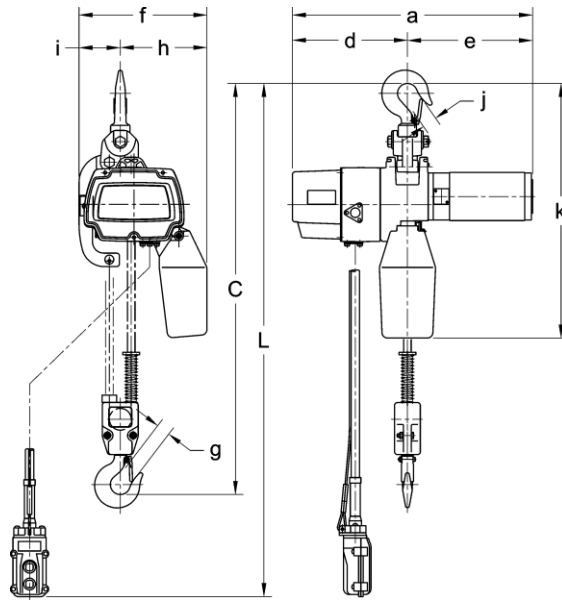
Cap. (kg)	Product Code	Lifting Speed (m/min)	Lifting Speed (Maximum, m/min)	Load Chain Wire Diameter (mm) x Chain Fall Lines	Load Sheave Pockets	Standard Lift (m)	Push Button Cord L (m)	Motor Output (kW)	Intermittent Duty Rating		Short Time Duty Rating (min)	Rated Current at 120V (amps)
									Duty Rating % ED	Max. Start Freq. (Times/Hr)		
115	ED250V	4.9	8	4.0 x 1	4	3	2.5	0.3	20	120	10	6
160	ED350V	4.9	13.5		5			0.6	30	180	20	10
225	ED500V	4.9	13.5					0.6	30	180	20	10
450	ED1000V	2.4	6.7	4.0 x 2	0.6			30	180	20	10	

**Metric Dimensions and Weights:**

Cap. (kg)	Headroom C (mm)	a (mm)	d (mm)	e (mm)	f (mm)	g (mm)	h (mm)	i (mm)	j (mm)	k (mm)	Net Weight (kg)	Weight for Additional One Meter of Lift (kg)
115	315	371	187	184	205	25	125	80	25	340	11.5	0.39
160	330	428	205	223	219		135	84		362	15.5	
225	330	428	205	223	219		135	84		362	15.5	
450	520	428	205	223	229	24	155	74	24	454	21	0.73



**ED250V, ED350V, ED500V**



**ED1000V**