



**Steel Chain Container Assemblies**  
For (N)ER AND SNER Hoists  
Domestic Production Version  
1/8 To 20 Ton

**Contents:**

Section	Page
1) Purpose.....	1
2) Definitions and Notes.....	2
3) Container Assembly Numbers, Sizes, Weights and Hang Dimension.....	3
4) Container Dimension.....	12
5) Assembly Drawing Numbers.....	13

**1) Purpose**

This document provides information internal to Harrington for the selection of Steel Chain Container Part Assemblies. Steel Chain Container Assemblies are available for the following hoists:

(N)ER 001H – through - 200S	SNER 003S – through - 030C
(N)ERM 001H – through - 200S	SNERM 003S – though - 030C
(N)ERP 001H – through - 200S	SNERP 003S – through - 030C
(N)ERG 001H – through - 200S	SNERG 003S – through - 030C

**Information Provided:**

- Container Assembly Part Number
- Maximum Lifts
- Weight
- Hang Dimension
- Physical Size of Chain Container

## 2) Definitions and Notes

1. Steel Chain Container Assembly = Chain Container(s), Hangers, includes Hook or Chain Container Trolley if required.
2. Part numbers for Steel Chain Container Assemblies begin with "SC1H" followed by 3 digits "XXX".
3. Per capacity code (EX. 005S) the kits are the same for ER, NER, and SNER.
4. The kits marked by (U) are for the hoists with an upper limit switch only. The kits marked by (U/L) are for the hoists with both upper and lower limit switches.
5. Weights refer to SCC kit weight only and do not include chain. For total system weight add steel chain container kit weight to hoist net weight plus additional feet of lift chain weight.

Hoist (Including Trolley) Net Weight + Weight For Additional Feet Of Lift + Steel Chain Container Kit Weight = Total System Weight

**Example:**

ERM050L-L/S	461	lb
41 feet of Lift (total) (41-10standard lift) 31ft x 4.0 lb	124	lb
Steel Chain Container SC1H219	48.3	lb
<hr/>		
Total System Weight	633.3	lb

6. Hang Dimension is the distance from the bottom of the chain container to the saddle of the top hook or the where the trolley wheels rest on the beam. Refer to Figure 1 below for an illustration showing the hang dimension.

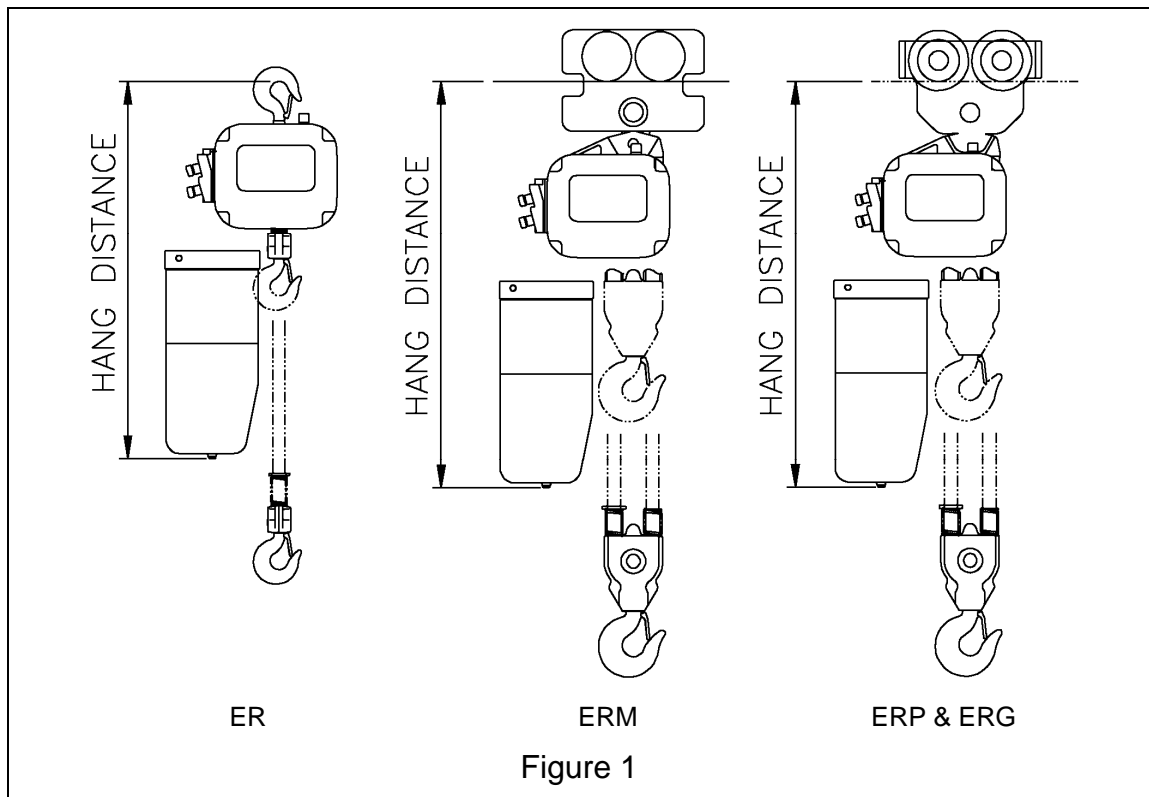


Figure 1

### 3) Container Assembly Numbers, Sizes, Weights and Hang Dimension

Hoist Capacity Code	Cont. Size	Lift		(N)(SN)ER SCC	(N)(SN)ERM SCC	(N)(SN)ERP/G SCC
		feet	meters	Weight (lbs) Hang Dim. (in)	Weight (lbs) Hang Dim. (in)	Weight (lbs) Hang Dim. (in)
001H, 003S	AH	39	12	SC1H001 13.6 lbs 25.2 in	SC1H001 26.8 lbs 26.2 in	SC1H001 26.2 lbs 26.2 in
	B	124	38	SC1H014 19.3 lbs 29.6 in	SC1H015 32.5 lbs 30.6 in	SC1H016 31.9 lbs 30.7 in
	D	174	53	SC1H030 21.3 lbs 31.7 in	SC1H019 34.0 lbs 33 in	SC1H020 33.5 lbs 33.0 in
005L	AH	19	6	SC1H001 12.1 lbs 25.2 in	SC1H001 26.8 lbs 26.2 in	SC1H001 26.2lbs 26.2 in
	BH	39	12	SC1H002 14.5 lbs 27.6 in	SC1H002 27.6 lbs 28.6 in	SC1H002 27.1 lbs 28.7 in
	D	118	36	SC1H030 21.3 lbs 32.7 in	SC1H031 34.5 lbs 33.7 in	SC1H032 33.9 lbs 33.8 in
	F	174	52	SC1H038 25.1 lbs 34.7 in	SC1H039 38.2 lbs 35.7 in	SC1H040 37.7 lbs 35.8 in
003H, 005S	AH	19	6	SC1H001 12.1 lbs 25.9 in	SC1H001 26.8 lbs 27.1 in	SC1H001 27.0 lbs 27.2 in
	BH	39	12	SC1H002 14.5 lbs 28.4 in	SC1H002 27.6 lbs 29.6 in	SC1H002 27.9 lbs 29.6 in
	D	118	36	SC1H030 21.3 lbs 33.5 in	SC1H035 34.5 lbs 34.7 in	SC1H036 34.7 lbs 34.8 in
	F	174	52	SC1H038 25.1 lbs 35.5 in	SC1H055 39.1 lbs 36.6 in	SC1H056 39.4 lbs 36.7 in

Hoist Capacity Code	Cont. Size	Lift		(N)(SN)ER SCC	(N)(SN)ERM SCC	(N)(SN)ERP/G SCC
		feet	meters	Weight (lbs) Hang Dim. (in)	Weight (lbs) Hang Dim. (in)	Weight (lbs) Hang Dim. (in)
010L, 010M	BH	19	6	SC1H002 14.5 lbs 29.0 in	SC1H002 27.6 lbs 29.6 in	SC1H002 27.9 lbs 29.6 in
	DH	39	12	SC1H004 18.0 lbs 32 in	SC1H004 31.2 lbs 32.6 in	SC1H004 31.4 lbs 32.7 in
	D	59	18	SC1H030 21.3 lbs 34.1 in	SC1H035 34.5 lbs 34.7 in	SC1H036 34.7 lbs 34.8 in
	F	111	34	SC1H054 25.9 lbs 36.1 in	SC1H055 39.1 lbs 36.6 in	SC1H056 39.4 lbs 36.7 in
	H	180	55	SC1H070 31.5 lbs 40.6 in	SC1H071 44.6 lbs 41.2 in	SC1H072 44.9 lbs 41.3 in
010S	DH	39	12	SC1H004 18.2 lbs 33.3 in	SC1H004 31.2 lbs 33.9 in	SC1H004 31.5 lbs 34 in
	D	59	18	SC1H050 21.5 lbs 35.4 in	SC1H051 34.5 lbs 36.0 in	SC1H052 34.8 lbs 36.0 in
	F	111	34	SC1H046 26.2 lbs 37.3 in	SC1H047 39.1 lbs 37.9 in	SC1H048 39.4 lbs 38 in
	H	180	55	SC1H074 31.7 lbs 41.9 in	SC1H075 44.6 lbs 42.5 in	SC1H076 45.0 lbs 42.5 in

Hoist Capacity Code	Cont. Size	Lift		(N)(SN)ER SCC	(N)(SN)ERM SCC	(N)(SN)ERP/G SCC
		feet	meters	Weight (lbs) Hang Dim. (in)	Weight (lbs) Hang Dim. (in)	Weight (lbs) Hang Dim. (in)
015S, 020L 020M	DH	29	9	SC1H004 18.2 lbs 34.6 in	SC1H004 33.0 lbs 34.5 in	SC1H004 33.4 lbs 34.6 in
	FH	42	13	SC1H006 17.6 lbs 35.7 in	SC1H006 17.6 lbs 35.6 in	SC1H006 17.6 lbs 35.7 in
	F	85	26	SC1H046 26.2 lbs 38.7 in	SC1H087 41.0 lbs 38.5 in	SC1H088 41.3 lbs 38.7 in
	H	141	43	SC1H074 31.7 lbs 43.2 in	SC1H103 46.5 lbs 43 in	SC1H104 46.8 lbs 43.2 in
020S	DH	29	9	SC1H007 19.5 lbs 37.4 in	SC1H007 33.0 lbs 37.3 in	SC1H007 33.4 lbs 37.5 in
	FH	42	13	SC1H008 21.9 lbs 38.5 in	SC1H008 35.5 lbs 38.4 in	SC1H008 35.8 lbs 38.6 in
	F	85	26	SC1H134 27.4 lbs 41.5 in	SC1H115 41.0 lbs 41.4 in	SC1H116 41.3 lbs 41.5 in
	H	141	43	SC1H122 33.0 lbs 46 in	SC1H123 46.5 lbs 45.9 in	SC1H124 46.8 lbs 46 in
	K	275	84	SC1H166 55.4 lbs 54.4 in	SC1H167 69.0 lbs 54.3 in	SC1H168 69.3 lbs 54.4 in

Hoist Capacity Code	Cont. Size	Lift		(N)(SN)ER SCC	(N)(SN)ERM SCC	(N)(SN)ERP/G SCC
		feet	meters	Weight (lbs) Hang Dim. (in)	Weight (lbs) Hang Dim. (in)	Weight (lbs) Hang Dim. (in)
025S	DH	23	7	SC1H007 19.5 lbs 38.1 in	SC1H007 34.0 lbs 38 in	SC1H007 34.3 lbs 38.1 in
	FH	32	10	SC1H008 21.9 lbs 39.2 in	SC1H008 36.4 lbs 39.1 in	SC1H008 36.7 lbs 39.2 in
	F	65	20	SC1H134 27.4 lbs 42.2 in	SC1H135 41.9 lbs 42 in	SC1H136 42.2 lbs 42.2 in
	H	105	32	SC1H122 33.0 lbs 46.7 in	SC1H143 47.4 lbs 46.5 in	SC1H144 47.8 lbs 46.7 in
	K	210	64	SC1H202 (U) or SC1H585 (U/L) 49.9 lbs 55.1 in	SC203 64.4 lbs 54.9 in	SC1H204 (U) or SC1H586 (U/L) 64.7 lbs 55.1 in
030C	DH	14	4.5	SC1H004 18.2 lbs 37.4 in	SC1H004 33.0 lbs 37 in	SC1H004 33.4 lbs 37.2 in
	FH	21	6.5	SC1H006 17.6 lbs 38.5 in	SC1H006 17.6 lbs 38.1 in	SC1H006 17.6 lbs 38.3 in
	F	42	13	SC1H254 26.2 lbs 41.5 in	SC1H255 41.0 lbs 41.1 in	SC1H256 41.3 lbs 41.2 in
	H	70	21.5	SC1H262 31.7 lbs 48.4 in	SC1H263 46.5 lbs 48 in	SC1H264 46.8 lbs 48.2 in

Hoist Capacity Code	Cont. Size	Lift		(N)(SN)ER SCC	(N)(SN)ERM SCC	(N)(SN)ERP/G SCC
		feet	meters	Weight (lbs) Hang Dim. (in)	Weight (lbs) Hang Dim. (in)	Weight (lbs) Hang Dim. (in)
030L, 030S	DH	16	5	SC1H007 20.4 lbs 38.1 in	SC1H007 34.9 lbs 38 in	SC1H007 35.2 lbs 38.1 in
	FH	23	7	SC1H008 22.8 lbs 39.2 in	SC1H008 37.3 lbs 39.1 in	SC1H008 37.6 lbs 39.2 in
	F	49	15	SC1H134 28.3 lbs 42.2 in	SC1H135 42.8 lbs 42 in	SC1H136 43.1 lbs 42.2 in
	H	82	25	SC1H122 33.8 lbs 46.7 in	SC1H143 48.3 lbs 46.5 in	SC1H144 48.6 lbs 46.7 in
	K	164	50	SC1H202 50.6 lbs 55.1 in	SC1H203 65.1 lbs 54.4 in	SC1H204 65.4 lbs 55.1 in

Hoist Capacity Code	Cont. Size	Lift		(N)(SN)ER SCC	(N)(SN)ERM SCC	(N)(SN)ERP/G SCC
		feet	meters	Weight (lbs) Hang Dim. (in)	Weight (lbs) Hang Dim. (in)	Weight (lbs) Hang Dim. (in)
050L	DH	11	3.5	SC1H007 20.4 lbs 40.4 in	SC1H007 34.9 lbs 40.8 in	SC1H007 35.4 lbs 40.8 in
	FH	16	5	SC1H008 22.8 lbs 41.5 in	SC1H008 37.3 lbs 41.9 in	SC1H008 37.8 lbs 41.9 in
	F	32	10	SC1H154 28.3 lbs 44.5 in	SC1H155 42.8 lbs 44.8 in	SC1H156 43.3 lbs 44.9 in
	H	52	16	SC1H218 33.8 lbs 49 in	SC1H219 48.3 lbs 49.4 in	SC1H220 48.9 lbs 49.4 in
	K	105	32	SC1H230 (U) or SC1H573 (U/L) 54.1 lbs 57.4 in	SC231 68.6 lbs 57.8 in	SC1H232 (U) or SC1H574 (U/L) 69.1 lbs 57.8 in



Hoist Capacity Code	Cont. Size	Lift		*ER LUG-MT SCC Hang Dim. (in)	ERM SCC Hang Dim. (in)	ERP/G SCC Hang Dim. (in)
		feet	meters			
080S	FH	9.5	3	SC1H008 40.1 in	SC1H008 46.1 in	SC1H008 46.1 in
	F	21	6.5	SC1H561 43 in	SC1H521 49 in	SC1H521 49 in
	H	34	10.5	SC1H563 47.5 in	SC1H523 53.5 in	SC1H523 53.5 in
	K	68	21	SC1H565 55.9 in	SC1H526 61.9 in	SC1H526 61.9 in
100L	F	16	5	SC1H561 42.4 in	SC1H528 48.4 in	SC1H528 48.4 in
	H	26	8	SC1H563 47 in	SC1H530 53 in	SC1H530 53 in
	K	52	16	SC1H568 55.4 in	SC1H533 61.4 in	SC1H533 61.4 in

\* Hang distance for ER080S with out trolley is measured from center of lug hole to bottom of chain container.

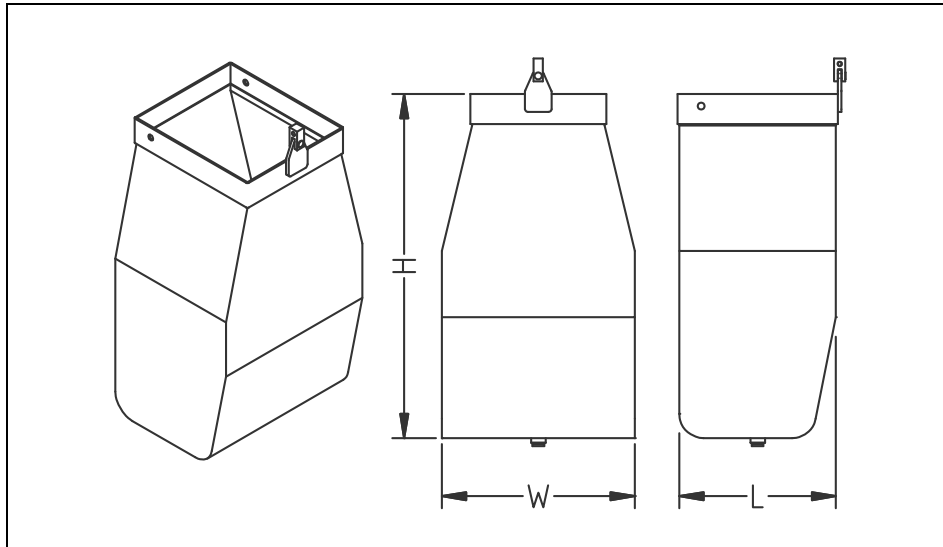
Hoist Capacity Code	Cont. Size	Lift		ER SCC Hang Dim. (in)	ERM SCC Hang Dim. (in)	ERP/G SCC Hang Dim. (in)
		feet	meters			
100S*	DH	11	3.5	SC1H502 50.6 in	SC1H502 44.9 in	SC1H502 44.9 in
	FH	16	5	SC1H503 51.7 in	SC1H503 46.0 in	SC1H503 46.0 in
	F	32	10	SC1H551 54.6 in	SC1H551 48 in	SC1H551 48 in
	H	52	16	SC1H553 59.1 in	SC1H553 53.5 in	SC1H553 53.5 in
	K	105	32	SC1H556 67.5 in	SC1H556 61.9 in	SC1H556 61.9 in

\* Chain container assemblies for 100S, 150S and 200S include two containers to accommodate the dual hoist body configuration.

Hoist Capacity Code	Cont. Size	Lift		ER SCC Hang Dim. (in)	ERM SCC Hang Dim. (in)	ERG SCC Hang Dim. (in)
		feet	meters			
150S*	FH	9.5	3	SC1H503 54.9 in	SC1H503 46.3 in	SC1H503 46.3 in
	F	21	6.5	SC1H551 57.9 in	SC1H551 49.4 in	SC1H551 49.4 in
	H	34	10.5	SC1H553 62.4 in	SC1H553 53.8 in	SC1H553 53.8 in
	K	68	21	SC1H556 70.8 in	SC1H556 62.2 in	SC1H556 62.2 in
	F	16	5	SC1H551 61.1 in	SC1H551 49.5 in	SC1H551 49.5 in
	H	26	8	SC1H553 65.6 in	SC1H553 54 in	SC1H553 54 in
	K	52	16	SC1H556 74 in	SC1H556 62.4 in	SC1H556 62.4 in

\* Chain container assemblies for 100S, 150S and 200S include two containers to accommodate the dual hoist body configuration.

#### 4) Containers Dimensions



Container Size	H		L		W	
	mm	inch	mm	inch	mm	inch
AH	318	12.5	152	6	178	7
BH	381	15	152	6	178	7
DH	457	18	216	8.5	178	7
FH	533	21	229	9	216	8.5
B	432	17	254	10	216	8.5
D	508	20	254	10	216	8.5
F	559	22	254	10	318	12.5
H	673	26.5	260	10.25	322	12.5
K	864	34	311	12.25	406	16

## 5) Assembly Drawing Numbers

Container Assy. No.	Drawing	Container Assy. No.	Drawing	Container Assy. No.	Drawing	Container Assy. No.	Drawing
SC1H001	70915	SC1H050	70991	SC1H135	70909	SC1H262	83184
SC1H002	70916	SC1H051	70992	SC1H136	70910	SC1H263	83185
SC1H004	70917	SC1H052	70993	SC1H143	70911	SC1H264	83186
SC1H006	70918	SC1H054	70994	SC1H144	70912	SC1H502	83187
SC1H007	70919	SC1H055	70995	SC1H154	83168	SC1H503	83188
SC1H008	70906	SC1H056	70996	SC1H155	83169	SC1H521	83189
SC1H014	70920	SC1H070	70997	SC1H156	83170	SC1H523	83190
SC1H015	70921	SC1H071	70998	SC1H166	83171	SC1H526	83191
SC1H016	70922	SC1H072	70999	SC1H167	83172	SC1H528	83192
SC1H019	70923	SC1H074	83157	SC1H168	83173	SC1H530	83193
SC1H020	70924	SC1H075	83158	SC1H202	83174	SC1H533	83194
SC1H030	70925	SC1H076	83159	SC1H203	70913	SC1H551	83195
SC1H031	70926	SC1H087	83160	SC1H204	70914	SC1H553	83196
SC1H032	70927	SC1H088	83161	SC1H218	83175	SC1H556	83197
SC1H035	70928	SC1H103	83162	SC1H219	83176	SC1H561	83198
SC1H036	70980	SC1H104	83163	SC1H220	83177	SC1H563	83199
SC1H038	70981	SC1H115	83164	SC1H230	83178	SC1H565	83200
SC1H039	70982	SC1H116	83165	SC1H231	83179	SC1H568	83201
SC1H040	70983	SC1H122	70907	SC1H232	83180	SC1H573	83202
SC1H046	70988	SC1H123	83166	SC1H254	83181	SC1H574	83203
SC1H047	70989	SC1H124	83167	SC1H255	83182	SC1H585	83204
SC1H048	70990	SC1H134	70908	SC1H256	83183	SC1H586	83205