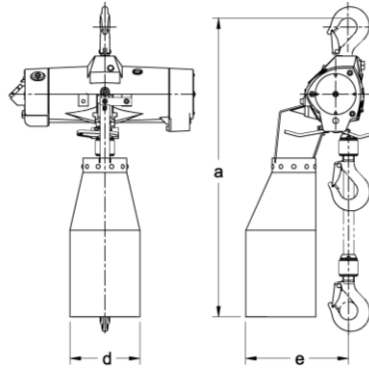


Purpose: To provide chain container information for AL/W/S hoist.

Capacity (T)	Chain Container Part Number	Description	Maximum Lift (ft)	Maximum Lift (m)
¼ and ½	AL4320074204	Canvas	13	4
1			6.5	2
¼ and ½	AL4320074207	Canvas	23	7
1			11	3.5
¼ and ½	AL4320074212	Canvas	39	12
1			20	6
¼ and ½	AL4320074218	Canvas	59	18
1			30	9
¼ and ½	AL4320074225	Canvas	82	25
1			41	12.5
3	AL4320229107	Canvas	23	7
5			11	3.5
3	AL4320210280	Steel	39	12
5			20	6
3	AL4320210980	Steel	59	18
5			30	9



AL Hook Mount*

Imperial Dimensions:

Product Code	a (in)	d (in)	e (in)	Maximum Lift for standard container (ft)
AL/S003C/P/R	19.3	5.7	8.4	13
AL/W/S005C/P/R	19.3	5.7	8.4	13
AL/W010C2/P2/R2	24.4	5.7	7.6	11
AL030C/P/R	31.2	7.1	8.4	23
AL050C2/P2/R2	32.6	7.1	9.6	11

*Note: Single fall hoist shown, double fall hoist may look different.

Metric Dimensions:

Product Code	a (mm)	d (mm)	e (mm)	Maximum Lift for standard container (m)
AL/S003C/P/R	490	145	213	4
AL/W/S005C/P/R	490	145	213	4
AL/W010C2/P2/R2	620	145	193	3.5
AL030C/P/R	792	180	213	7
AL050C2/P2/R2	828	180	244	3.5

*Note: Single fall hoist shown, double fall hoist may look different.