

Purpose:

To provide specification and dimension information for the Pendant and Cord controlled AL equipped with an ATEX Geared trolley (ALRG), an ATEX Push trolley (ALRP), a standard geared trolley (ALG), or a standard push trolley (ALP).

Scope:

Standard offering (ALRP/ALRG) - For customers that need an ATEX rated air hoist and an ATEX manual trolley, the AL hoist can be coupled with the ATEX rated geared trolley (RGTS) or ATEX rated push trolley (RPTS). Both the RGTS and the RPTS have ATEX ratings that match the AL hoist (see EDOC0887). The ATEX trolleys have bronze wheels and bumpers as standard. See notes below for more information.

Custom offering (ALP/ALG) - For customers that do not need the ATEX rating, but would like a lube free air-hoist with a manual trolley, the AL can be coupled with the standard geared trolley (GTS) or standard push trolley (PTF). These trolleys have standard steel wheels and bumpers are optional. This offering has the following custom requirements:

- Sales/Customer Service - require the purchase order to state "Remove ATEX rating"
- Sales/Customer Service - include "Remove ATEX rating" on the sales order
- Custom Engineering Group - Add a new AL/W nameplate from stock (AL4320216004) to the bill of materials.
- Custom Engineering Group - include "Remove Ex symbol from hoist nameplate" on the work order.
- Custom Engineering Group - include "Remove Ex stickers from hoist" on the work order.

Notes:

- 1) Geared trolleys need to include an extended hand wheel because the top hook on AL can rotate and could hit the hand chain of the standard hand wheel. All trolley models will include a hook-to-lug suspender.
- 2) The ATEX trolleys do not currently have CTO available and are setup with a bill of materials. If the ATEX trolleys are grouped with an AL, they should have a "-AL" after the unit number (e.g. RGTS005-AL). See EDOC1059 for unit numbers. This will ensure the hand wheel is on the pick list and the unit description has the correct ATEX rating (EDOC0887).
- 3) ATEX trolleys are a de-rated version of the standard trolley (see EDOC1059 for more information).
- 4) AW hoists - can be coupled to either trolley by customer request, but the customer should understand that we do not offer an "unpainted" version of the trolley.
- 5) AS hoists - because this hoist comes with a higher ATEX rating than the RGT/RPT (see EDOC0887), there is no standard manual trolley offering for the AS hoist. If a customer specifically requests this configuration, then the hoist's ATEX rating should be de-rated according to the rating of the lowest component (e.g. trolley) or removed as required.
- 6) All models are the TS2/TF2 version.

Table of Contents:

	Trolley Type	Control Type	Document Type	Page
Standard Offering	Geared (RGTS)/ Push (RPTS)	Pendant Model	Specification	3
		Cord Model	Specification	4
	Geared (RGTS)	Pendant/Cord Model	Dimensions	5
	Geared (RGTS)	Pendant/Cord Model	Figures 1 and 2	6
	Push (RPTS)	Pendant/Cord Model	Dimensions	7
	Push (RPTS)	Pendant/Cord Model	Figures 3 and 4	8
Custom Offering	Geared (GTS)/ Push (PTF)	Pendant Model	Specification	9
		Cord Model	Specification	10
	Geared (GTS)	Pendant/Cord Model	Dimensions	11
	Geared (GTS)	Pendant/Cord Model	Figures 5 and 6	12
	Push (PTF)	Pendant/Cord Model	Dimensions	13
	Push (PTF)	Pendant/Cord Model	Figures 7 and 8	14

STANDARD OFFERING

IMPERIAL SPECIFICATION – AL Pendant Model with ATEX Geared (RGTS) or ATEX Push Trolley (RPTS)

Cap. (Tons)	Product Code	Std. Lift (ft)	Push Button Hose L (ft)	Up/Down Speeds (ft/min @ 90 psi)		Up/Down Air Consumption Rates (cubic ft/min @ 90 psi)		Flange Width Adjustability B (in)		Minimum* Allow. Radius for Curve (in)	Load Chain Diameter (mm) x Chain Fall Lines	Net Weight (lbs)	Weight for Additional One Foot of Lift (lbs)
				No Load	w/Full Load	No Load	w/Full Load	Standard	Optional				
				1/4	ALRP(ALRG)003P	10	7.5	85 / 66	61 / 105				
1/2	ALRP(ALRG)005P	78 / 49	41 / 72	102 / 68	81 / 74			6.5 x 1	57(68)	0.6			
1	ALRP(ALRG)010P2	39 / 25	21 / 36	102 / 68	81 / 74			3.23 to 6.02	6.03 to 12.00	59.1	6.5 x 2	86(99)	1.2
3	ALRP(ALRG)030P	20 / 18	10 / 20	102 / 76	85 / 81			3.94 to 7.02	7.03 to 12.00	90.6	11.5 x 1	233(249)	1.9

Figures in parenthesis are data for geared trolley

*Minimum flange width for curved beam: 1 Ton = 2.24 in.

METRIC SPECIFICATION – AL Pendant Model with ATEX Geared (RGTS) or ATEX Push Trolley (RPTS)

Cap. (t)	Product Code	Std Lift (m)	Push Button Hose L (m)	Up/Down Speeds (m/min @ 0.6 MPa)		Up/Down Air Consumption Rates (cubic m/min @ 0.6 MPa)		Flange Width Adjustability B (mm)		Minimum* Allow. Radius for Curve (mm)	Load Chain Diameter (mm) x Chain Fall Lines	Net Weight (kg)	Weight for Additional One Meter of Lift (kg)
				No Load	w/Full Load	No Load	w/Full Load	Standard	Optional				
				1/4	ALRP(ALRG)003P	3.0	2.3	26 / 20	18.6 / 32				
1/2	ALRP(ALRG)005P	24 / 15	12.6 / 22	2.9/1.9	2.3 / 2.1			6.5 x 1	26(31)	0.9			
1	ALRP(ALRG)010P2	12 / 7.5	6.3 / 11	2.9/1.9	2.3 / 2.1			82 to 153	154 to 305	1500	6.5 x 2	39(45)	1.8
2 1/2	ALRP(ALRG)030P	6.1 / 5.5	3.1 / 6.1	2.9/2.2	2.4 / 2.3			100 to 178	179 to 305	2300	11.5 x 1	106(113)	2.9

Figures in parenthesis are data for geared trolley

*Minimum flange width for curved beam: 1 Ton = 73 mm

STANDARD OFFERING

IMPERIAL SPECIFICATION – AL Cord Model with ATEX Geared (RGTS) or ATEX Push Trolley (RPTS)

Cap. (Tons)	Product Code	Standard Lift (ft)	Cord L (ft)	Up/Down Speeds (ft/min @ 90 psi)		Up/Down Air Consumption Rates (cubic ft/min @ 90 psi)		Flange Width Adjustability B (in)		Minimum* Allow. Radius for Curve (in)	Load Chain Diameter (mm) x Chain Fall Lines	Net Weight (lbs)	Weight for Additional One Foot of Lift (lbs)
				No Load	w/Full Load	No Load	w/Full Load	Standard	Optional				
				1/4	ALRP(ALRG)003C	10	7.5	85 / 66	61 / 105				
1/2	ALRP(ALRG)005C	78 / 49	41 / 72	102 / 68	81 / 74			6.5 x 1	55 (66)	0.6			
1	ALRP(ALRG)010C2	39 / 25	21 / 36	102 / 68	81 / 74			3.23 to 6.02	6.03 to 12.00	59.1	6.5 x 2	84(97)	1.2
3	ALRP(ALRG)030C	20 / 18	10 / 20	102 / 76	85 / 81			3.94 to 7.02	7.03 to 12.00	90.6	11.5 x 1	231(246)	1.9

Figures in parenthesis are data for geared trolley
 *Minimum flange width for curved beam: 1 Ton = 2.24 in.

METRIC SPECIFICATION – AL Cord Model with ATEX Geared (RGTS) or ATEX Push Trolley (RPTS)

Cap. (t)	Product Code	Standard Lift (m)	Cord L (m)	Up/Down Speeds (m/min @ 0.6 MPa)		Up/Down Air Consumption Rates (cubic m/min @ 0.6 MPa)		Flange Width Adjustability B (mm)		Minimum* Allow. Radius for Curve (mm)	Load Chain Diameter (mm) x Chain Fall Lines	Net Weight (kg)	Weight for Additional One Meter of Lift (kg)
				No Load	w/Full Load	No Load	w/Full Load	Standard	Optional				
				1/4	ALRP(ALRG)003C	3.0	2.3	26 / 20	18.6 / 32				
1/2	ALRP(ALRG)005C	24 / 15	12.6 / 22	2.9/1.9	2.3 / 2.1			6.5 x 1	25(30)	0.9			
1	ALRP(ALRG)010C2	12 / 7.5	6.3 / 11	2.9/1.9	2.3 / 2.1			82 to 153	154 to 305	1500	6.5 x 2	38(44)	1.8
2 1/2	ALRP(ALRG)030C	6.1 / 5.5	3.1 / 6.1	2.9/2.2	2.4 / 2.3			100 to 178	179 to 305	2300	11.5 x 1	105(112)	2.9

Figures in parenthesis are data for geared trolley
 *Minimum flange width for curved beam: 1 Ton = 73 mm

STANDARD OFFERING

IMPERIAL DIMENSIONS – AL Cord and Pendant Models with ATEX Geared Trolley (RGTS) – Figures 1 and 2

Cap. (Tons)	Product Code	Headroom C (in)	E (ft)	a (in)	b (in)	e (in)	g (in)	h (in)	i (in)	j (in)	k (in)	k' (in)	m (in)	n (in)	r (in)	t (in)	u (in)
1/4	ALRG003C/P	18.6	9.5	20.9	10.7	13.3	1.1	4.2	2.8	1.1	3.7	4.2	2.2	4.4	2.0	0.98	7.2
1/2	ALRG005C/P	18.6	9.5	20.9	10.7	13.3	1.1	4.2	2.8	1.1	3.7	4.2	2.2	4.4	2.0	0.98	7.2
1	ALRG010C/P2	22.2	9.5	24.8	12.4	15.7	1.1	5.0	3.35	1.3	4.4	4.3	2.8	5.2	2.4	1.26	7.2
3	ALRG030C/P	31.2	10.5	24.8	19.0	15.2	2.0	6.7	4.65	1.8	5.7	5.1	3.2	7.0	3.4	2.13	7.2

METRIC DIMENSIONS – AL Cord and Pendant Models with ATEX Geared Trolley (RGTS) – Figures 1 and 2

Cap. (Tons)	Product Code	Headroom C (mm)	E (m)	a (mm)	b (mm)	e (mm)	g (mm)	h (mm)	i (mm)	j (mm)	k (mm)	k' (mm)	m (mm)	n (mm)	r (mm)	t (mm)	u (mm)
1/4	ALRG003C/P	473	2.9	531	272	338	29	106	71	28	95	106	56	112	50	25	183
1/2	ALRG005C/P	473	2.9	531	272	338	29	106	71	28	95	106	56	112	50	25	183
1	ALRG010C/P2	565	2.9	630	316	399	29	127	85	34	112	109	71	131	62	32	183
2 1/2	ALRG030C/P	793	3.2	630	483	386	50	169	118	47	144	131	81	178	88	54	183

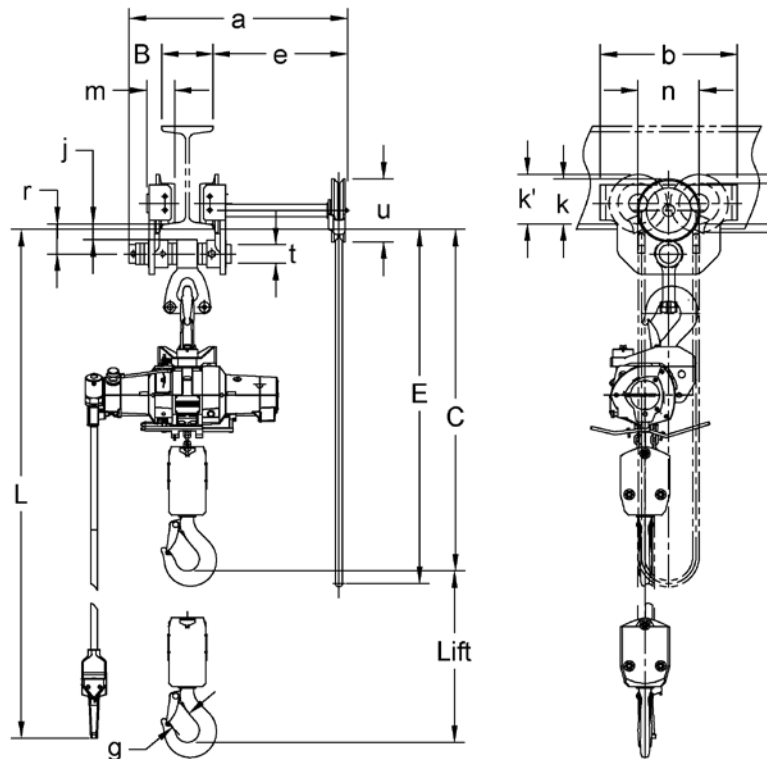


Figure 1 ALRG050P2

STANDARD OFFERING

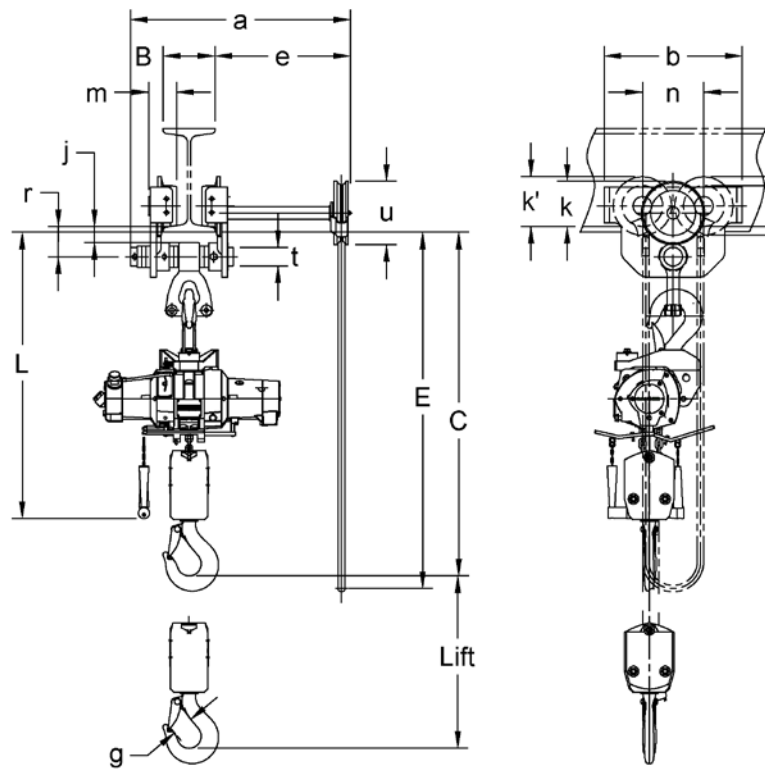


Figure 2 ALRG050C2

STANDARD OFFERING

IMPERIAL DIMENSIONS – AL Cord and Pendant Models with ATEX Push Trolley (RPTS) – Figures 3 and 4

Cap. (Tons)	Product Code	Headroom C (in)	a' (in)	a (in)	b (in)	e (in)	g (in)	h (in)	i (in)	j (in)	k (in)	m (in)	n (in)	r (in)	t (in)
1/4	ALRG003P	18.6	15.9	8.5	10.7	2.2	1.1	4.2	2.8	1.1	3.7	2.2	4.4	2.0	0.98
	ALRG003C		15.4												
1/2	ALRG005P	18.6	15.9	8.5	10.7	2.7	1.1	4.2	2.8	1.1	3.7	2.2	4.4	2.0	0.98
	ALRG005C		15.4												
1	ALRG010P2	22.2	15.9	10.4	12.4	3.1	1.1	5.0	3.35	1.3	4.4	2.8	5.2	2.4	1.26
	ALRG010C2		15.4												
3	ALRG030P	31.2	22.0	10.7	19.0	2.1	2.0	6.7	4.65	1.8	5.7	3.2	7.0	3.4	2.13
	ALRG030C		21.5												

METRIC DIMENSIONS – AL Cord and Pendant Models with ATEX Push Trolley (RPTS) – Figures 3 and 4

Cap. (Tons)	Product Code	Headroom C (mm)	a' (mm)	a (mm)	b (mm)	e (mm)	g (mm)	h (mm)	i (mm)	j (mm)	k (mm)	m (mm)	n (mm)	r (mm)	t (mm)
1/4	ALRG003P	473	404	215	272	56	29	106	71	28	95	56	112	50	25
	ALRG003C		390												
1/2	ALRG005P	473	404	215	272	56	29	106	71	28	95	56	112	50	25
	ALRG005C		390												
1	ALRG010P2	565	404	264	316	69	29	127	85	34	112	71	131	62	32
	ALRG010C2		390												
2 1/2	ALRG030P	793	560	273	483	53	50	169	118	47	144	81	178	88	54
	ALRG030C		546												

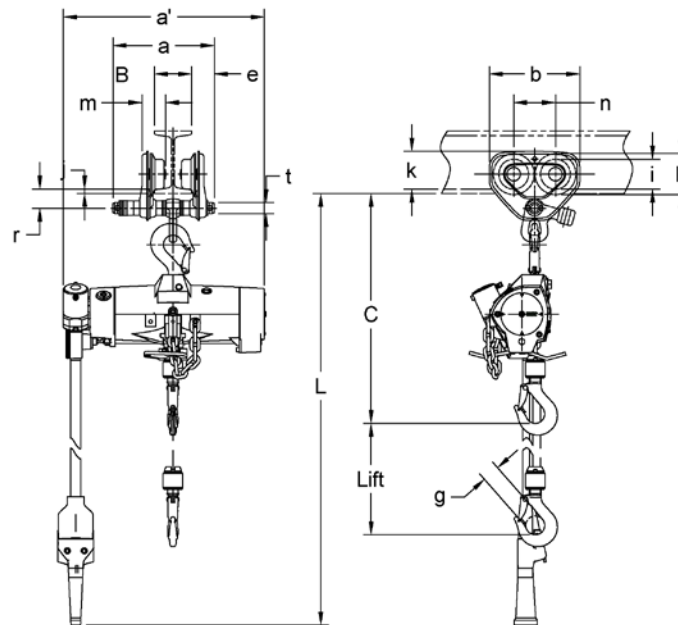


Figure 3 ALRG005P

STANDARD OFFERING

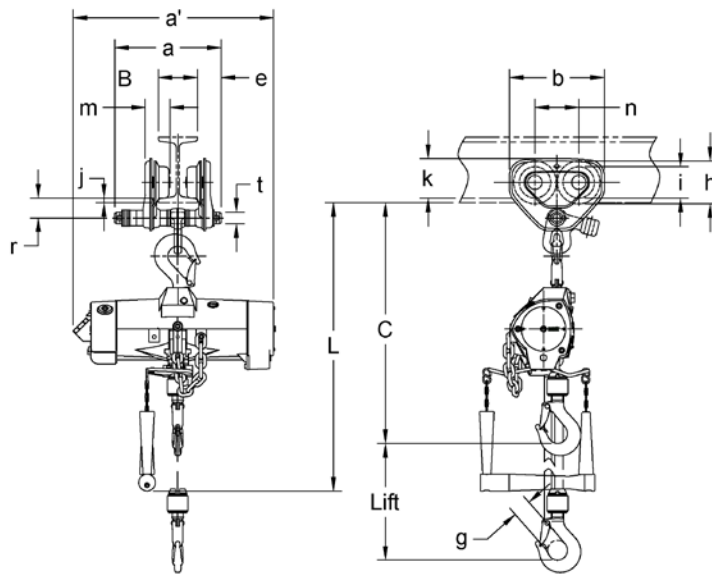


Figure 4 ALRP005C

CUSTOM OFFERING

IMPERIAL SPECIFICATION – AL Pendant Model with Geared (GTS) or Push Trolley (PTF)

Cap. (Tons)	Product Code	Standard Lift (ft)	Push Button Hose L (ft)	Up/Down Speeds (ft/min @ 90 psi)		Up/Down Air Consumption Rates (cubic ft/min @ 90 psi)		Flange Width Adjustability B (in)		Minimum* Allow. Radius for Curve (in)	Load Chain Diameter (mm) x Chain Fall Lines	Net Weight (lbs)	Weight for Additional One Foot of Lift (lbs)
				No Load	w/Full Load	No Load	w/Full Load	Standard	Optional				
				1/4	ALP(ALG)003P	10	7.5	85 / 66	61 / 105				
1/2	ALP(ALG)005P	79 / 49	41 / 72	102 / 68	81 / 74			6.5 x 1	48(68)	0.6			
1	ALP(ALG)010P2	39 / 25	21 / 36	102 / 68	81 / 74			2.28 to 5.00	5.01 to 8.00 OR 8.01 to 12.00	17.7 (51.2)	6.5 x 2	70(83)	1.2
3	ALP(ALG)030P	20 / 18	10 / 20	102 / 76	85 / 81			3.23 to 6.02	6.03 to 12.00	21.7 (66.9)	11.5 x 1	169(185)	1.9
5	ALP(ALG)050P2	8.6	9.8 / 8.9	5.2 / 9.8	102 / 76		85 / 81	4.92 to 7.02 (3.94 to 7.02)	7.03 to 12.00	78.7 (90.6)	11.5 x 2	329(360)	3.8

Figures in parenthesis are data for geared trolley

*Minimum flange width for curved beam: 1 Ton Push and 1/8 to 1Ton Geared = 2.87 in.
3 Ton Push and Geared = 3.50 in.

METRIC SPECIFICATION – AL Pendant Model with Geared (GTS) or Push Trolley (PTF)

Cap. (Tons)	Product Code	Standard Lift (m)	Push Button Hose L (m)	Up/Down Speeds (m/min @ 0.6 MPa)		Up/Down Air Consumption Rates (cubic m/min @ 0.6 MPa)		Flange Width Adjustability B (mm)		Minimum* Allow. Radius for Curve (mm)	Load Chain Diameter (mm) x Chain Fall Lines	Net Weight (kg)	Weight for Additional One Meter of Lift (kg)
				No Load	w/Full Load	No Load	w/Full Load	Standard	Optional				
				1/4	ALP(ALG)003P	3.0	2.3	26 / 20	18.6 / 32				
1/2	ALP(ALG)005P	24 / 15	12.6 / 22	2.9/1.9	2.3 / 2.1			6.5 x 1	22(31)	0.9			
1	ALP(ALG)010P2	12 / 7.5	6.3 / 11	2.9/1.9	2.3 / 2.1			58 to 127	128 to 203 OR 204 to 305	450 (1300)	6.5 x 2	32(38)	1.8
2 1/2	ALP(ALG)030P	6.1 / 5.5	3.1 / 6.1	2.9/2.2	2.4 / 2.3			82 to 153	153 to 305	650 (1700)	11.5 x 1	77(84)	2.9
5	ALP(ALG)050P2	2.6	3.0 / 2.7	1.6 / 3.0	2.9/2.2		2.4 / 2.3	125 to 178 (100 to 178)	179 to 305	2000 (2300)	11.5 x 2	149(163)	5.8

Figures in parenthesis are data for geared trolley

*Minimum flange width for curved beam: 1 Ton Push and 1/8 to 1Ton Geared = 73 mm
3 Ton Push and Geared = 89 mm

CUSTOM OFFERING

IMPERIAL SPECIFICATION – AL Cord Model with Geared (GTS) or Push Trolley (PTF)

Cap. (Tons)	Product Code	Standard Lift (ft)	Cord L (ft)	Up/Down Speeds (ft/min @ 90 psi)		Up/Down Air Consumption Rates (cubic ft/min @ 90 psi)		Flange Width Adjustability B (in)		Minimum* Allow. Radius for Curve (in)	Load Chain Diameter (mm) x Chain Fall Lines	Net Weight (lbs)	Weight for Additional One Foot of Lift (lbs)
				No Load	w/Full Load	No Load	w/Full Load	Standard	Optional				
				1/4	ALP(ALG)003C	10	7.5	85 / 66	61 / 105				
1/2	ALP(ALG)005C	78 / 49	41 / 72	102 / 68	81 / 74			6.5 x 1	46 (66)	0.6			
1	ALP(ALG)010C2	39 / 25	21 / 36	102 / 68	81 / 74			2.28 to 5.00	5.01 to 8.00 OR 8.01 to 12.00	17.7 (51.2)	6.5 x 2	68(81)	1.2
3	ALP(ALG)030C	20 / 18	10 / 20	102 / 76	85 / 81			3.23 to 6.02	6.03 to 12.00	21.7 (66.9)	11.5 x 1	167(182)	1.9
5	ALP(ALG)050C2	8.6	9.8 / 8.9	5.2 / 9.8	102 / 76		85 / 81	4.92 to 7.02 (3.94 to 7.02)	7.03 to 12.00	78.7 (90.6)	11.5 x 2	327(358)	3.8

Figures in parenthesis are data for geared trolley

*Minimum flange width for curved beam: 1 Ton Push and 1/8 to 1Ton Geared = 2.87 in.

3 Ton Push and Geared = 3.50 in.

METRIC SPECIFICATION – AL Cord Model with Geared (GTS) or Push Trolley (PTF)

Cap. (Tons)	Product Code	Standard Lift (m)	Cord L (m)	Up/Down Speeds (m/min @ 0.6 MPa)		Up/Down Air Consumption Rates (cubic m/min @ 0.6 MPa)		Flange Width Adjustability B (mm)		Minimum* Allow. Radius for Curve (mm)	Load Chain Diameter (mm) x Chain Fall Lines	Net Weight (kg)	Weight for Additional One Meter of Lift (kg)
				No Load	w/Full Load	No Load	w/Full Load	Standard	Optional				
				1/4	ALP(ALG)003C	3.0	2.3	26 / 20	18.6 / 32				
1/2	ALP(ALG)005C	24 / 15	12.6 / 22	2.9 / 1.9	2.3 / 2.1			6.5 x 1	21(30)	0.9			
1	ALP(ALG)010C2	12 / 7.5	6.3 / 11	2.9 / 1.9	2.3 / 2.1			58 to 127	128 to 203 OR 204 to 305	450 (1300)	6.5 x 2	31(37)	1.8
2 1/2	ALP(ALG)030C	6.1 / 5.5	3.1 / 6.1	2.9 / 2.2	2.4 / 2.3			82 to 153	154 to 305	650 (1700)	11.5 x 1	76(83)	2.9
5	ALP(ALG)050C2	2.6	3.0 / 2.7	1.6 / 3.0	2.9 / 2.2		2.4 / 2.3	125 to 178 (100 to 178)	179 to 305	2000 (2300)	11.5 x 2	148(162)	5.8

Figures in parenthesis are data for geared trolley

*Minimum flange width for curved beam: 1 Ton Push and 1/8 to 1Ton Geared = 73 mm

3 Ton Push and Geared = 89 mm

GENERAL USE
EDOC0888
REV. 03 9/06/2016

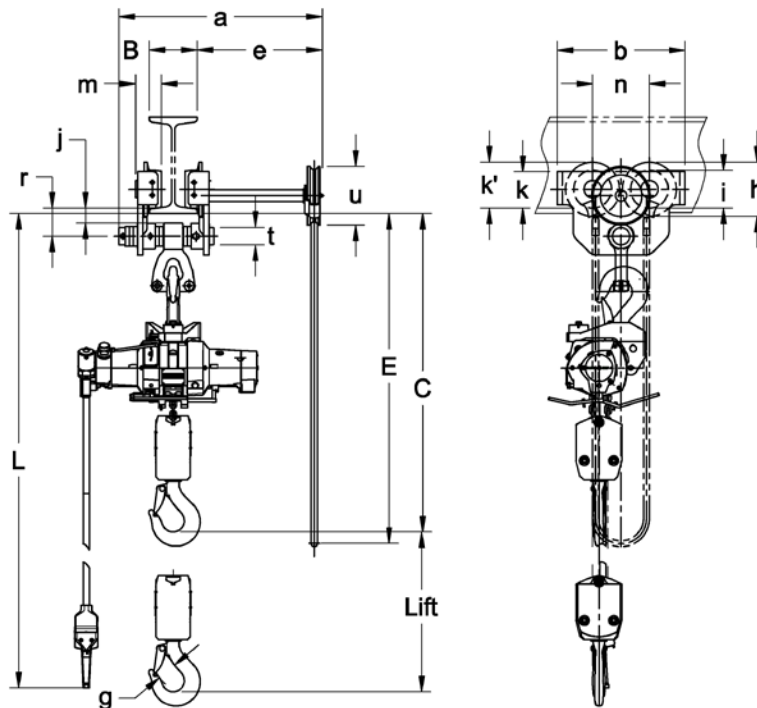
CUSTOM OFFERING

IMPERIAL DIMENSIONS – AL Cord and Pendant Models with Geared Trolley (GTS) – Figures 5 and 6

Cap. (Tons)	Product Code	Headroom C (in)	E (ft)	a (in)	b (in)	e (in)	g (in)	h (in)	i (in)	j (in)	k (in)	k' (in)	m (in)	n (in)	r (in)	t (in)	u (in)
1/4	ALG003C/P	18.6	9.5	20.9	9.3	13.3	1.1	4.2	2.8	1.1	3.7	4.2	2.2	4.4	2.0	1.0	7.2
1/2	ALG005C/P	18.6	9.5	20.9	9.3	13.3	1.1	4.2	2.8	1.1	3.7	4.2	2.2	4.4	2.0	1.0	7.2
1	ALG010C/P2	21.3	9.5	20.9	9.3	13.3	1.1	4.2	2.8	1.1	3.7	4.2	2.2	4.4	2.0	1.0	7.2
3	ALG030C/P	28.9	11	24.8	12.8	15.9	2.0	5.8	3.9	1.4	5.3	4.5	3.1	6.0	2.7	1.4	7.2
5	ALG050C/P2	39.5	11	24.8	15.8	15.2	2.4	6.7	4.6	1.8	4.5	5.7	3.2	7.0	3.4	2.13	7.2

METRIC DIMENSIONS – AL Cord and Pendant Models with Geared Trolley (GTS) – Figures 5 and 6

Cap. (Tons)	Product Code	Headroom C (mm)	E (m)	a (mm)	b (mm)	e (mm)	g (mm)	h (mm)	i (mm)	j (mm)	k (mm)	k' (mm)	m (mm)	n (mm)	r (mm)	t (mm)	u (mm)
1/4	ALG003C/P	473	2.9	531	236	338	29	106	71	28	95	106	56	112	50	25	183
1/2	ALG005C/P	473	2.9	531	236	338	29	106	71	28	95	106	56	112	50	25	183
1	ALG010C/P2	541	2.9	531	236	338	29	106	71	28	95	106	56	112	50	25	183
2 1/2	ALG030C/P	734	3.3	630	324	404	50	148	100	36	134	114	80	152	68	36	183
5	ALG050C/P2	1003	3.3	630	347	386	60	169	118	47	114	144	81	178	88	54	183



GENERAL USE
EDOC0888
REV. 03 9/06/2016

CUSTOM OFFERING

Figure 5 ALG050P2

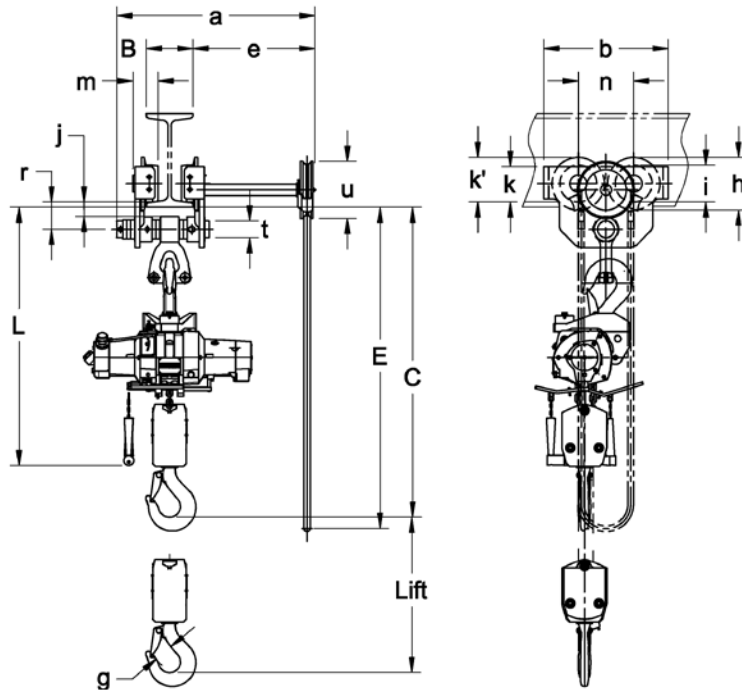


Figure 6 ALG050C2

IMPERIAL DIMENSIONS – AL Cord and Pendant Models with Push Trolley (PTF)– Figures 7 and 8

Cap. (Tons)	Product Code	Headroom C (in)	a (in)	b (in)	e (in)	g (in)	h (in)	i (in)	j (in)	k (in)	m (in)	n (in)	r (in)	t (in)
1/4	ALP003C/P	18.1	8.0	7.2	1.8	1.1	3.2	2.4	0.8	3.0	2.7	3.3	1.5	0.9
1/2	ALP005C/P	18.1	8.0	7.2	1.8	1.1	3.2	2.4	0.8	3.0	2.7	3.3	1.5	0.9
1	ALP010C/P2	21.3	9.8	9.3	2.2	1.1	4.2	2.8	1.1	3.7	3.1	4.4	2.0	1.0
3	ALP030C/P	28.9	12.6	12.8	3.1	2.0	5.8	3.9	1.4	5.3	4.3	6.0	2.7	1.4
5	ALP050C/P2	39.5	11.7	13.7	2.1	2.4	6.7	4.6	1.8	5.7	3.6	7.0	4.6	1.7

METRIC DIMENSIONS – AL Cord and Pendant Models with Push Trolley (PTF) – Figures 7 and 8

Cap. (Tons)	Product Code	Headroom C (mm)	a (mm)	b (mm)	e (mm)	g (mm)	h (mm)	i (mm)	j (mm)	k (mm)	m (mm)	n (mm)	r (mm)	t (mm)
1/4	ALP003C/P	460	204	182	46	29	82	60	20	76	68	84	38	22
1/2	ALP005C/P	460	204	182	46	29	82	60	20	76	68	84	38	22
1	ALP010C/P2	541	249	236	56	29	106	71	29	95	80	112	50	25
2 1/2	ALP030C/P	734	320	324	79	50	148	100	36	134	110	152	68	36
5	ALP050C/P2	1003	297	347	53	60	169	118	47	144	91	178	117	44

GENERAL USE
EDOC0888
REV. 03 9/06/2016

CUSTOM OFFERING

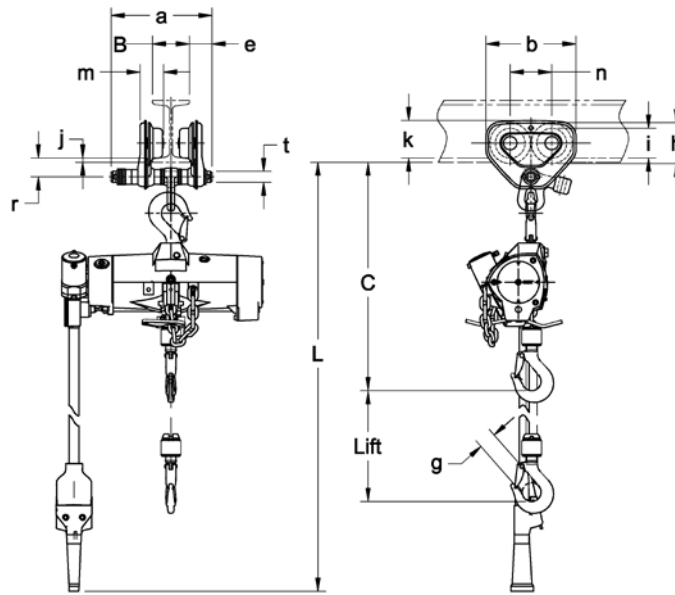


Figure 7 ALP005P

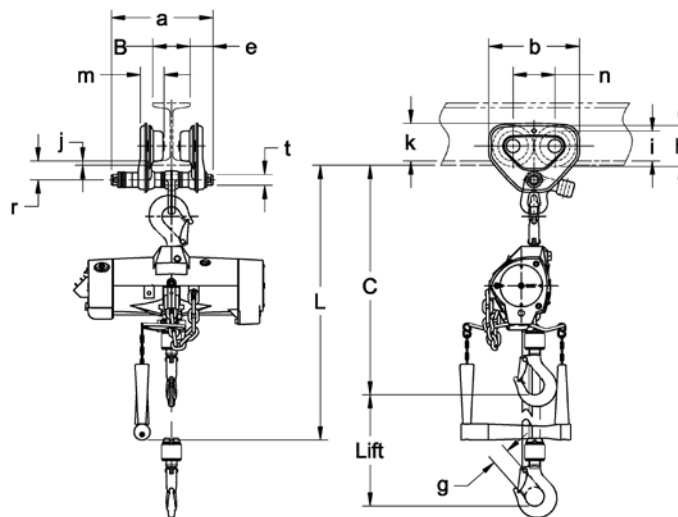


Figure 8 ALP005C