



**Lube Free, Wash Down, & Spark Resistant
Air Chain Hoist
Model AL
Specifications and Dimensions**

Purpose:

To provide dimension and specification information for the AL (Lube free), AW (Wash down), and AS (Spark resistant) model air chain hoist.

Table of Contents:

Model		Document Type	Page
AL	Pendant (P)	Imperial Specification/Dimension/Figures	2
		Metric Specification/Dimension/Figures	2
	Cord (C)	Imperial Specification/Dimension/Figures	4
		Metric Specification/Dimension/Figures	4
	Twist Rod (R)	Imperial Specification/Dimension/Figures	6
		Metric Specification/Dimension/Figures	6

AL Pendant Model:

Imperial Specifications:

Cap. (Tons)	Product Code	Standard Lift (ft)	Push Button Hose L (ft)	Up/Down Speeds (ft/min @ 90psi)		Up/Down Air Consumption Rates (cubic ft/min @ 90 psi)		Load Chain Diameter (mm) x Chain Fall Lines	Net Weight (lbs)	Weight for Additional One Foot of Lift (lbs)
				No Load	w/Full Load	No Load	w/Full Load			
1/4	AL003P	10	7.5	85 / 66	61 / 105	98 / 64	78 / 72	6.5x1	39	0.6
1/2	AL005P			78 / 49	41 / 72	102 / 68	81 / 74	6.5x1	39	0.6
1	AL010P2			39 / 25	21 / 36	102 / 68	81 / 74	6.5x2	55	1.2
3	AL030P			20 / 18	10 / 20	102 / 76	85 / 81	11.5x1	123	1.9
5	AL050P2		8.6	9.8 / 8.9	5.2 / 9.8	102 / 76	85 / 81	11.5x2	234	3.8

Imperial Dimensions:

Cap. (Tons)	Product Code	Headroom C (in)	a (in)	b (in)	d (in)	e (in)	g (in)	h (in)	i (in)	j (in)
1/4	AL003P	14.8	15.9	7.7	7.2	6.6	1.1	4.8	2.9	0.7
1/2	AL005P	14.8	15.9	7.7	7.2	6.6	1.1	5.1	2.6	1.0
1	AL010P2	17.5	15.9	7.7	7.2	6.6	1.1	5.1	2.6	1.0
3	AL030P	22.6	22.0	13.7	10.4	9.6	2.0	7.8	5.9	1.5
5	AL050P2	30.9	22.0	13.7	10.4	9.6	2.4	8.9	4.7	2.7

Metric Specifications:

Cap. (Tons)	Product Code	Standard Lift (m)	Push Button Hose L (m)	Up/Down Speeds (m/min @ 0.6 MPa)		Up/Down Air Consumption Rates (cubic m/min @ 0.6 MPa)		Load Chain Diameter (mm) x Chain Fall Lines	Net Weight (kg)	Weight for Additional One Meter of Lift (kg)
				No Load	w/Full Load	No Load	w/Full Load			
1/4	AL003P	3.0	2.3	26 / 20	18.6 / 32	2.8/1.8	2.2 / 2.0	6.5x1	17.7	0.9
1/2	AL005P			24 / 15	12.6 / 22	2.9/1.9	2.3 / 2.1	6.5x1	17.7	0.9
1	AL010P2			12 / 7.5	6.3 / 11	2.9/1.9	2.3 / 2.1	6.5x2	24.8	1.8
2 1/2	AL030P			6.1 / 5.5	3.1 / 6.1	2.9/2.2	2.4 / 2.3	11.5x1	55.7	2.9
5	AL050P2		2.6	3.0 / 2.7	1.6 / 3.0	2.9/2.2	2.4 / 2.3	11.5x2	106.1	5.8

Metric Dimensions:

Cap. (Tons)	Product Code	Headroom C (mm)	a (mm)	b (mm)	d (mm)	e (mm)	g (mm)	h (mm)	i (mm)	j (mm)
1/4	AL003P	377	404	195	184	167	29	122	73	18
1/2	AL005P	377	404	195	184	167	29	130	65	26
1	AL010P2	445	404	195	184	167	29	130	65	26
2 1/2	AL030P	575	560	347	263	243	50	197	150	39
5	AL050P2	785	560	347	263	243	60	227	120	69

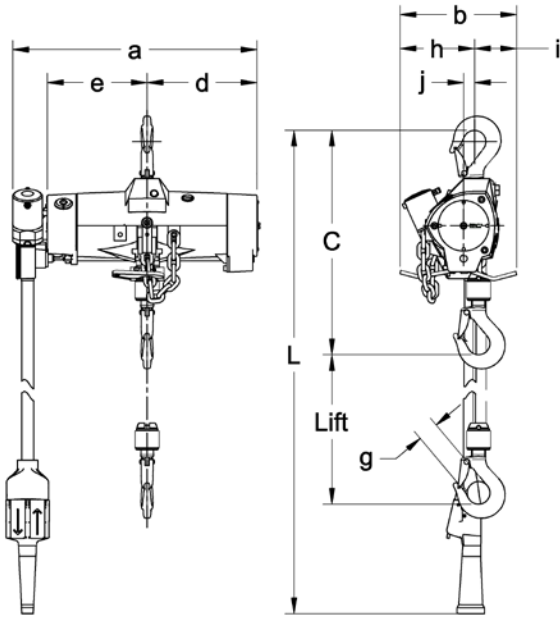


Figure 1 AL003P – Single Fall Pendant Model

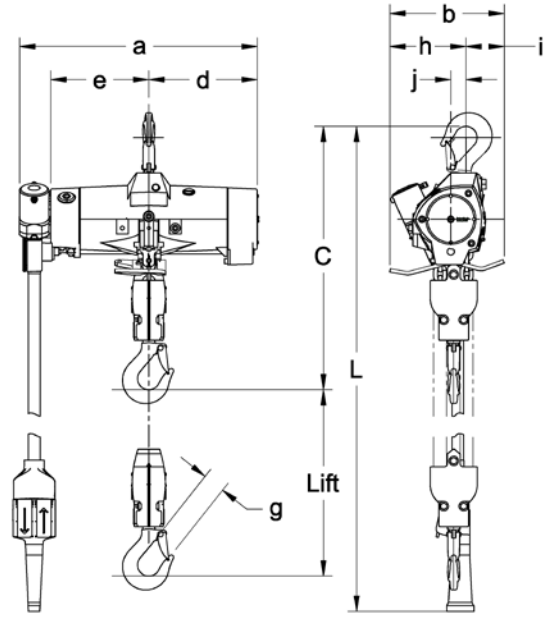


Figure 2 AL010P2 – Double Fall Pendant Model

AL Cord Model:

Imperial Specifications:

Cap. (Tons)	Product Code	Standard Lift (ft)	Cord L (ft)	Up/Down Speeds (ft/min @ 90 psi)		Up/Down Air Consumption Rates (cubic ft/min @ 90 psi)		Load Chain Diameter (mm) x Chain Fall Lines	Net Weight (lbs)	Weight for Additional One Foot of Lift (lbs)
				No Load	w/Full Load	No Load	w/Full Load			
1/4	AL003C	10	7.5	85 / 66	61 / 105	98 / 64	78 / 72	6.5x1	37.5	0.6
1/2	AL005C			78 / 49	41 / 72	102 / 68	81 / 74	6.5x1	37.5	0.6
1	AL010C2			39 / 25	21 / 36	102 / 68	81 / 74	6.5x2	53	1.2
3	AL030C			20 / 18	10 / 20	102 / 76	85 / 81	11.5x1	121	1.9
5	AL050C2		8.6	9.8 / 8.9	5.2 / 9.8	102 / 76	85 / 81	11.5x2	232	3.8

Imperial Dimensions:

Cap. (Tons)	Product Code	Headroom C (in)	a (in)	b (in)	d (in)	e (in)	g (in)	h (in)	i (in)	j (in)	k (in)
1/4	AL003C	14.8	15.4	7.7	7.2	6.7	1.1	4.8	2.9	0.7	8.7
1/2	AL005C	14.8	15.4	7.7	7.2	6.7	1.1	5.1	2.6	1.0	8.7
1	AL010C2	17.5	15.4	7.7	7.2	6.7	1.1	5.1	2.6	1.0	8.7
3	AL030C	22.6	21.5	13.7	10.4	9.6	2.0	7.8	5.9	1.5	8.7
5	AL050C2	30.9	21.5	13.7	10.4	9.6	2.4	8.9	4.7	2.7	8.7

Metric Specifications:

Cap. (Tons)	Product Code	Standard Lift (m)	Cord L (m)	Up/Down Speeds (m/min @ 0.6 MPa)		Up/Down Air Consumption Rates (cubic m/min @ 0.6 MPa)		Load Chain Diameter (mm) x Chain Fall Lines	Net Weight (kg)	Weight for Additional One Meter of Lift (kg)
				No Load	w/Full Load	No Load	w/Full Load			
1/4	AL003C	3.0	2.3	26 / 20	18.6 / 32	2.8/1.8	2.2 / 2.0	6.5x1	17.0	0.9
1/2	AL005C			24 / 15	12.6 / 22	2.9/1.9	2.3 / 2.1	6.5x1	17.0	0.9
1	AL010C2			12 / 7.5	6.3 / 11	2.9/1.9	2.3 / 2.1	6.5x2	23.9	1.8
2 1/2	AL030C			6.1 / 5.5	3.1 / 6.1	2.9/2.2	2.4 / 2.3	11.5x1	54.8	2.9
5	AL050C2		2.6	3.0 / 2.7	1.6 / 3.0	2.9/2.2	2.4 / 2.3	11.5x2	105.3	5.8

Metric Dimensions:

Cap. (Tons)	Product Code	Headroom C (mm)	a (mm)	b (mm)	d (mm)	e (mm)	g (mm)	h (mm)	i (mm)	j (mm)	k (mm)
1/4	AL003C	377	390	195	184	167	29	122	73	18	220
1/2	AL005C	377	390	195	184	167	29	130	65	26	220
1	AL010C2	445	390	195	184	167	29	130	65	26	220
2 1/2	AL030C	575	546	347	263	243	50	197	150	39	220
5	AL050C2	785	546	347	263	243	60	227	120	69	220

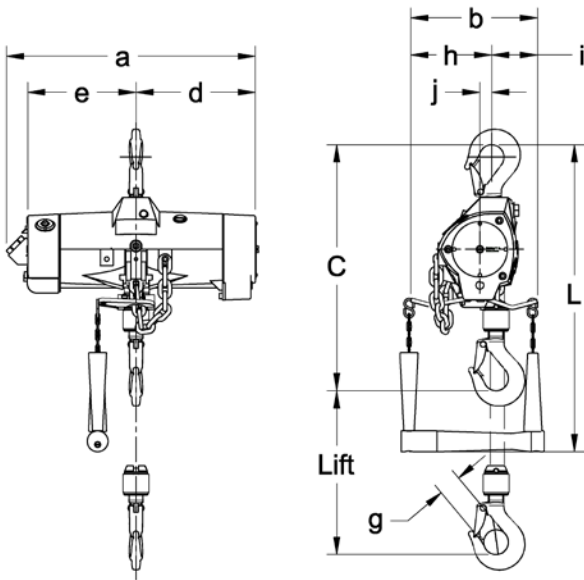


Figure 3 AL003C – Single Fall Cord Model

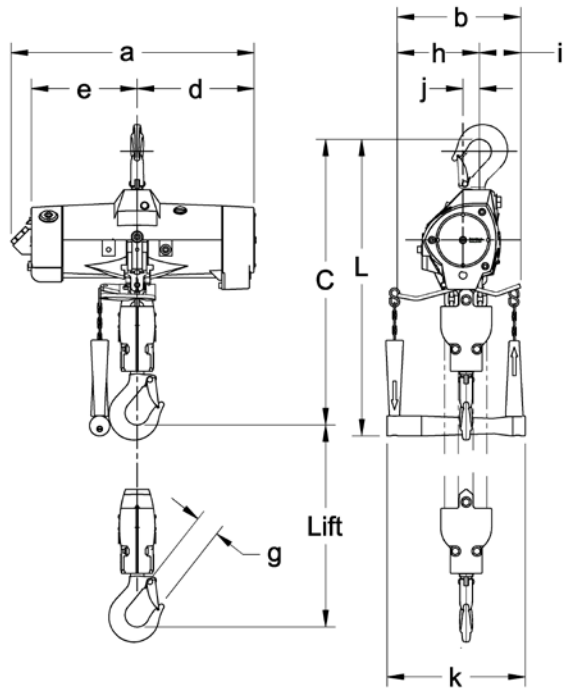


Figure 4 AL010C2 – Double Fall Cord Model

AL Twist Rod Model:

Imperial Specifications:

Cap. (Tons)	Product Code	Standard Lift (ft)	Rod L (ft)	Up/Down Speeds (ft/min @ 90 psi)		Up/Down Air Consumption Rates (cubic ft/min @ 90 psi)		Load Chain Diameter (mm) x Chain Fall Lines	Net Weight (lbs)	Weight for Additional One Foot of Lift (lbs)
				No Load	w/Full Load	No Load	w/Full Load			
1/4	AL003R	10	3.5 to 6.5	85 / 66	61 / 105	98 / 64	78 / 72	6.5x1	39	0.6
1/2	AL005R			78 / 49	41 / 72	102 / 68	81 / 74	6.5x1	39	0.6
1	AL010R2			39 / 25	21 / 36	102 / 68	81 / 74	6.5x2	54	1.2
3	AL030R			20 / 18	10 / 20	102 / 76	85 / 81	11.5x1	123	1.9
5	AL050R2			9.8 / 8.9	5.2 / 9.8	102 / 76	85 / 81	11.5x2	234	3.8

Imperial Dimensions:

Cap. (Tons)	Product Code	Headroom C (in)	a (in)	b (in)	d (in)	e (in)	g (in)	h (in)	i (in)	j (in)
1/4	AL003R	14.8	15.4	7.7	7.2	6.7	1.1	4.8	2.9	0.7
1/2	AL005R	14.8	15.4	7.7	7.2	6.7	1.1	5.1	2.6	1.0
1	AL010R2	17.5	15.4	7.7	7.2	6.7	1.1	5.1	2.6	1.0
3	AL030R	22.5	21.5	13.7	10.4	9.6	2.0	7.8	5.9	1.5
5	AL050R2	30.9	21.5	13.7	10.4	9.6	2.4	8.9	4.7	2.7

Metric Specifications:

Cap. (Tons)	Product Code	Standard Lift (m)	Rod L (m)	Up/Down Speeds (m/min @ 0.6 MPa)		Up/Down Air Consumption Rates (cubic m/min @ 0.6 MPa)		Load Chain Diameter (mm) x Chain Fall Lines	Net Weight (kg)	Weight for Additional One Meter of Lift (kg)
				No Load	w/Full Load	No Load	w/Full Load			
1/4	AL003R	3.0	1.1 to 2	26 / 20	18.6 / 32	2.8/1.8	2.2 / 2.0	6.5x1	17.7	0.9
1/2	AL005R			24 / 15	12.6 / 22	2.9/1.9	2.3 / 2.1	6.5x1	17.7	0.9
1	AL010R2			12 / 7.5	6.3 / 11	2.9/1.9	2.3 / 2.1	6.5x2	24.7	1.8
2 1/2	AL030R			6.1 / 5.5	3.1 / 6.1	2.9/2.2	2.4 / 2.3	11.5x1	55.6	2.9
5	AL050R2			3.0 / 2.7	1.6 / 3.0	2.9/2.2	2.4 / 2.3	11.5x2	106.1	5.8

Metric Dimensions:

Cap. (Tons)	Product Code	Headroom C (mm)	a (mm)	b (mm)	d (mm)	e (mm)	g (mm)	h (mm)	i (mm)	j (mm)
1/4	AL003R	377	390	195	184	167	29	122	73	18
1/2	AL005R	377	390	195	184	167	29	130	65	26
1	AL010R2	445	390	195	184	167	29	130	65	26
2 1/2	AL030R	575	546	347	263	243	50	197	150	39
5	AL050R2	785	546	347	263	243	60	227	120	69

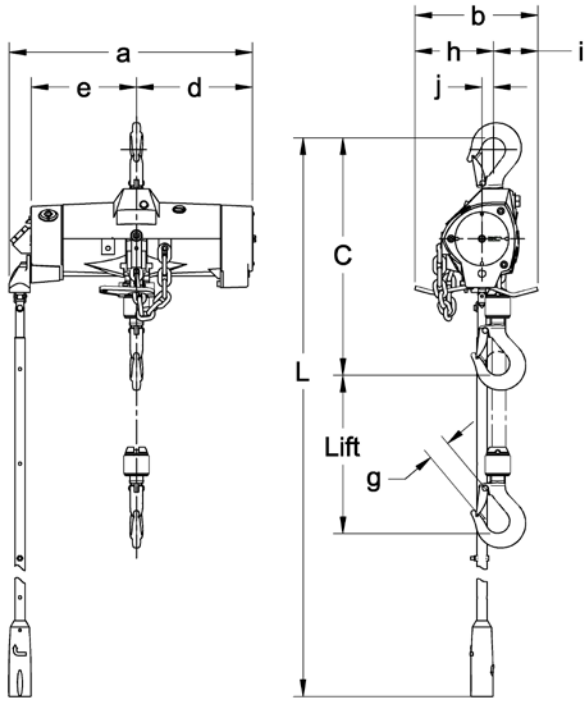


Figure 5 AL003R – Single Fall Twist Rod Model

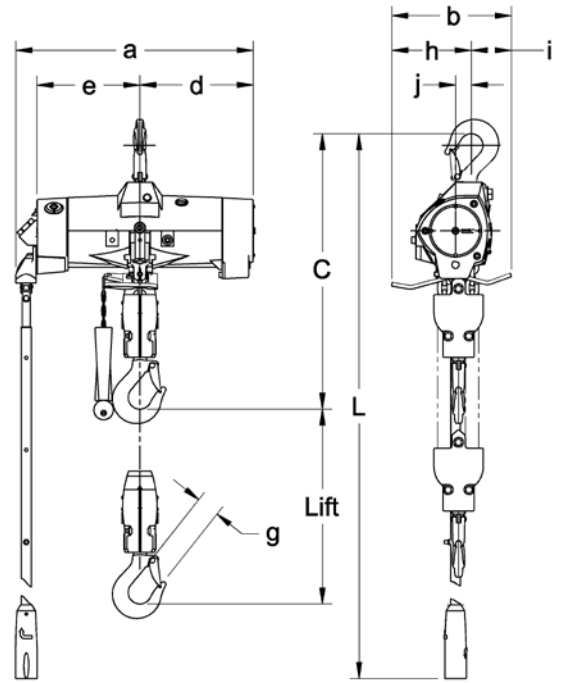


Figure 6 AL010R2 – Double Fall Twist Rod Model