

### Purpose:

To provide dimension and specification information for hook mount, single speed TNER model electric chain hoist.

### Single Speed Imperial Specifications:

Cap. (Tons)	Product Code	Standard Lift (ft)	Push Button Cord L* (ft)	Lifting Speed (ft/min)	Lifting Motor 3 Phase 60 Hz			Load Chain Diameter (mm) x Chain Fall Lines	Net Weight (lbs)	Weight for Additional One Foot of Lift (lbs)
					Output (Hp)	Rated Current (amps)				
						@208 - 230V	@460V			
1/2	TNER005L	60	58.2	16	0.65	4.2	2.1	6.3 x 1	99	0.57
1	TNER010L				1.3	7.1	3.6	8.0 x 1	135	0.93
2	TNER020L			8					8.0 x 2	209

\*Push Button Pendant is optional.

### Single Speed Metric Specifications:

Cap. (Tons)	Product Code	Standard Lift (m)	Push Button Cord L* (m)	Lifting Speed (m/min)	Lifting Motor 3 Phase 60 Hz			Load Chain Diameter (mm) x Chain Fall Lines	Net Weight (kg)	Weight for Additional One Meter of Lift (kg)
					Output (kW)	Rated Current (amps)				
						@208 - 230V	@460V			
1/2	TNER005L	18.0	17.5	4.9	0.5	4.2	2.1	6.3 x 1	45	0.85
1	TNER010L				0.95	7.1	3.6	8.0 x 1	61	1.4
2	TNER020L			2.4					8.0 x 2	95

\*Push Button Pendant is optional.

### Single Speed Imperial Dimensions:

Cap. (Tons)	Product Code	Headroom C (in)	a (in)	b (in)	d (in)	e (in)	g (in)	h (in)	i (in)	D (in)
1/2	TNER005L	13.2	18.7	14.2	9.6	9.2	0.9	3.9	4.0	35.4
1	TNER010L	16.1	20.0	15.0	10.2	9.8	1.2	4.1	4.7	37.0
2	TNER020L	22.8					1.6			48.8

### Single Speed Metric Dimensions:

Cap. (Tons)	Product Code	Headroom C (mm)	a (mm)	b (mm)	d (mm)	e (mm)	g (mm)	h (mm)	i (mm)	D (mm)
1/2	TNER005L	335	476	360	243	233	24	98	102	900
1	TNER010L	410	509	381	260	249	31	103	120	940
2	TNER020L	580					40			1240

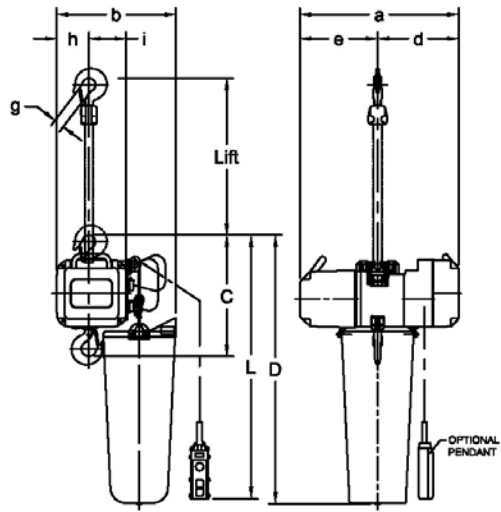


Figure 1 – TNER Hook Mount, Single Speed (TNER010L)