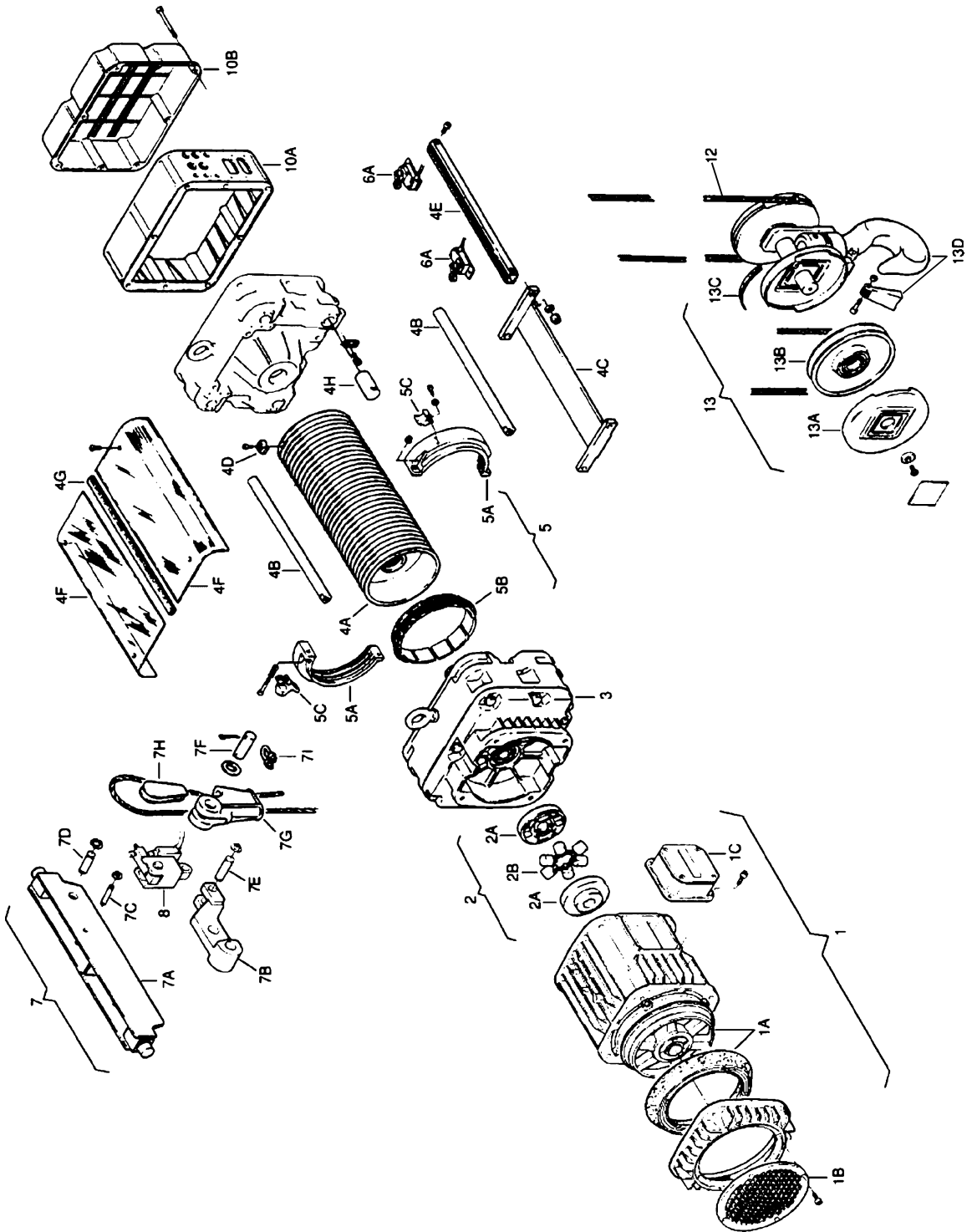


Purpose:

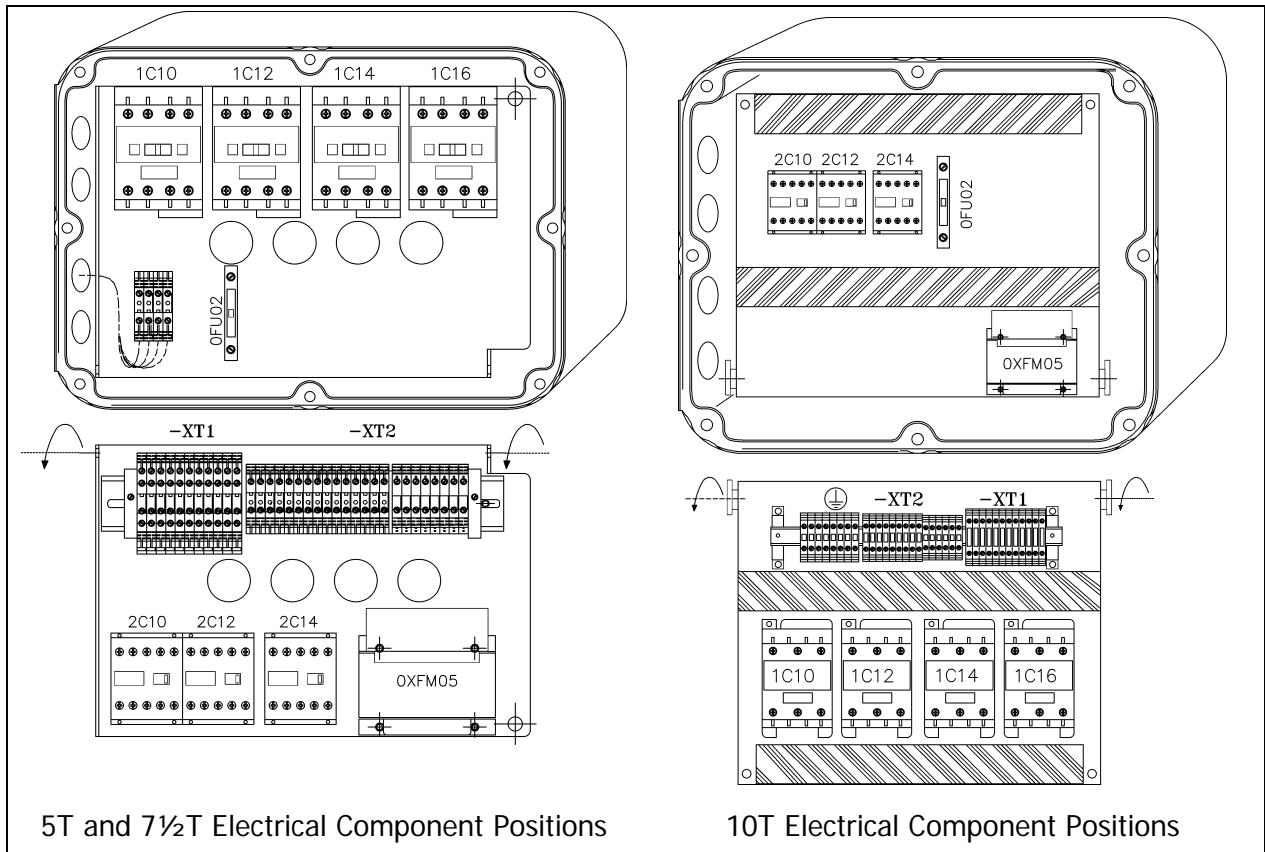
To provide a list of recommended spare parts for the RH Advantage trolley hoists.





Hoist Parts

RH ADVANTAGE HOIST PARTS LIST														
Fig. No.	Part Name	Parts Per Hoist	RH05U23D4G2W-A	RH05U23D4G4W-A	RH05U33D4G2W-A	RH05U33D4G4W-A	RH08U23D3G2W-A	RH08U23D3G4W-A	RH08U33D3G2W-A	RH08U33D3G4W-A	RH10U23D4L2W-A	RH10U23D4L4W-A	RH10U33D4L2W-A	RH10U33D4L4W-A
			DRH21S020				DRH31S020							
1B	brake shoe set (brake shoe+lining+blocking ring+brake bolts)	1	DRH21S020				DRH31S020							
5B	rope press assembly	1	DRH210430				DRH310430							
12	rope – 23 ft. lift	1	DRH270540	DRH270570			DRH370540							
	rope – 33 ft. lift	1	DRH270560	DRH270580			DRH370560							
13D	safety latch	1	DRH21S140				DRH31S140							



5T and 7 1/2T Electrical Component Positions

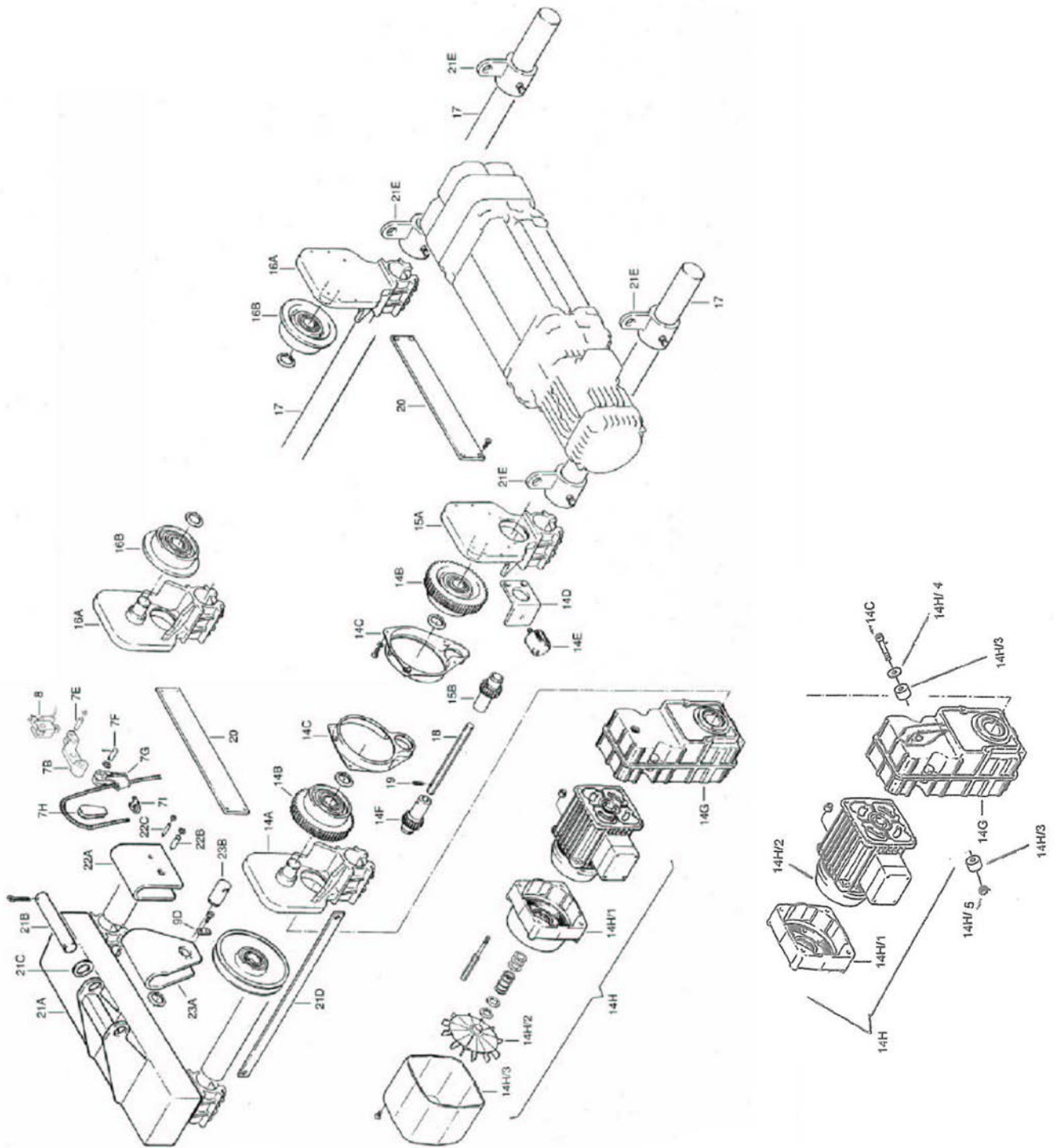
10T Electrical Component Positions

230V – RH ADVANTAGE ELECTRICAL COMPONENTS PARTS LIST								
POS.	DESCRIPTION	Parts Per Trolley Hoist	RH05U23D4G2W-A	RH05U33D4G2W-A	RH08U23D3G2W-A	RH08U33D3G2W-A	RH10U23D4L2W-A	RH10U33D4L2W-A
1C10	Hoist Lift contactor, 230V	10	ELF14010B				ELF16010B	
1C12	Hoist Lower contactor, 230V	10	ELF14010B				ELF16010B	
1C14	Hoist Slow contactor (lift/lower), 230V	10	ELF14010B				ELF16010B	
1C16	Hoist Fast contactor (lift/lower), 230V	10	ELF14010B				ELF16010B	
2C10/2C12	Trolley Right/left reversing contactor, 230V	10*	ELG20901B					
2C14	Trolley Fast contactor (right/left), 230V	10	ELG10908B					
1C10/1C12 /1C16	Auxiliary contactor	9	ELF001A1C					
0FU02	fus.sec.1TC	1	9006272					

* Comprised of two contactors arranged as a mechanically interlocked reversing contactor.

460V – RH ADVANTAGE ELECTRICAL COMPONENTS PARTS LIST								
POS.	DESCRIPTION	Parts Per Trolley Hoist	RH05U23D4G4W-A	RH05U33D4G4W-A	RH08U23D3G4W-A	RH08U33D3G4W-A	RH10U23D4L4W-A	RH10U33D4L4W-A
1C10 1C12	Hoist Lift/lower reversing contactor, 460V	10*	ELF22501B				ELF14010B	
1C14	Hoist Fast contactor (lift/lower), 460V	10	ELF12508B				N/A	
1C14	Hoist Slow contactor (lift/lower), 460V	10	N/A				ELF14010B	
1C16	Hoist Fast contactor (lift/lower), 460V	10	N/A				ELF14010B	
2C10 2C12	Trolley Right/left reversing contactor, 460V	10*	ELG20901B					
2C14	Trolley Fast contactor (right/left), 460V	10	ELG10908B					
0FU02	fus.sec.1TC	1	9006272					

* Comprised of two contactors arranged as a mechanically interlocked reversing contactor.



Old Style Trolley Motor

New Style Trolley Motor

Trolley Parts

RH ADVANTAGE TROLLEY PARTS LIST														
Fig. No.	Part Name	Parts Per Trly	RH05U23D4G2W-A	RH05U23D4G4W-A	RH05U33D4G2W-A	RH05U33D4G4W-A	RH08U23D3G2W-A	RH08U23D3G4W-A	RH08U33D3G2W-A	RH08U33D3G4W-A	RH10U23D4L2W-A	RH10U23D4L4W-A	RH10U33D4L2W-A	RH10U33D4L4W-A
14H1	motor cover (brake)	1	DGR120220								DGR220220			
14H2	brake shoe set (brake shoe+lining+blocking ring+brake bolts)	1	M2001S020 ^{1&2}								M3001S020 ^{1&2}			
	brake shoe + lining	1	M20050060 ^{1&2}								M30050060 ^{1&2}			

¹ Indicates "A" version Trolley Motor Reducer Parts for Trolley serial numbers after 054921/007 for RHA 5T/7½T and 055217/022 RHA 10T.

² Indicates "B" version Trolley Motor Reducer Parts for Trolley serial numbers after 067446/025.

END