

Purpose

Specification and dimension information for RHN Double Girder Trolley Hoist.

The "M" in product code denotes double girder trolley hoist.

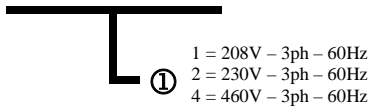
Imperial Specifications – RHN Double Girder Trolley Hoist

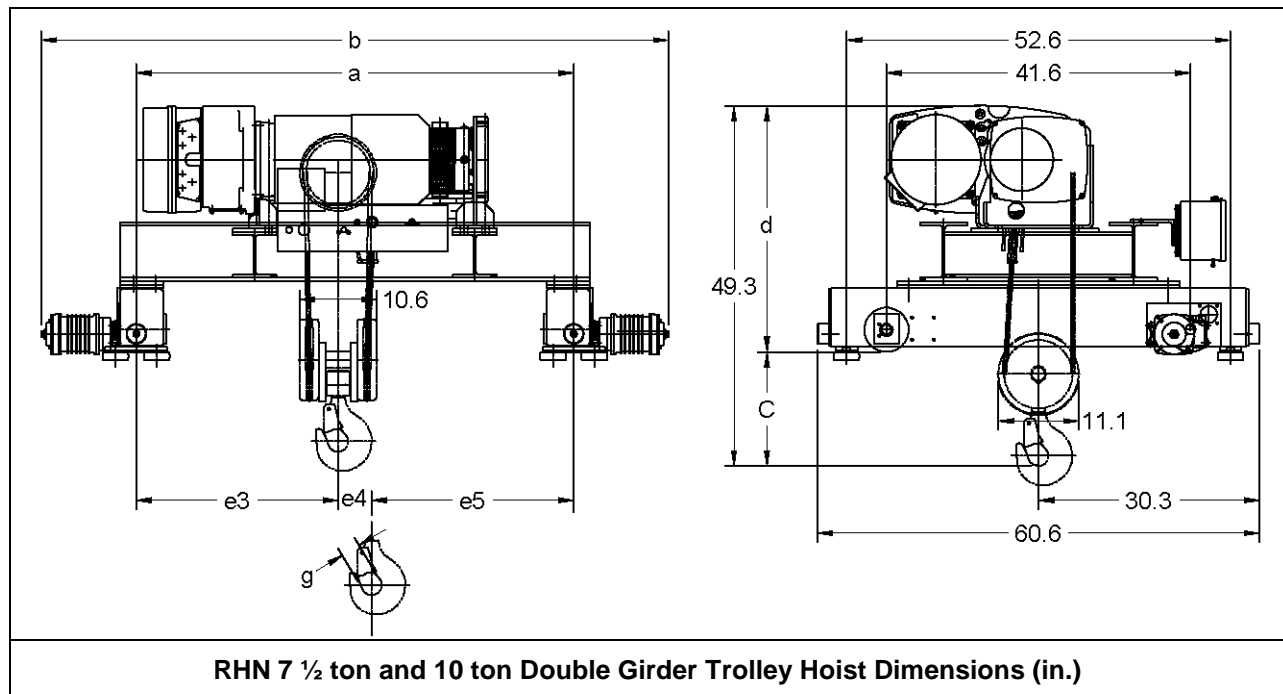
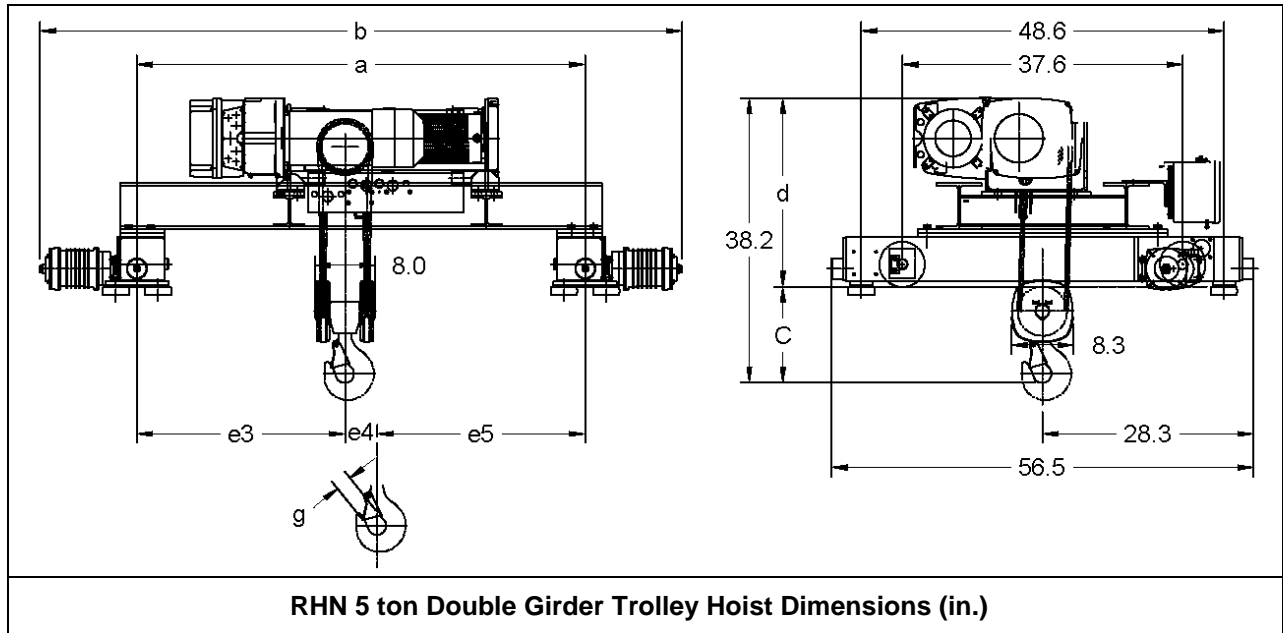
Cap. (Tons)	Product Code	Std. Lift (ft)	Trolley Gauge (in)	Reeving	Rope (mm)	Lifting Speed (ft/min) H/L	Traversing Speed (ft/min) VFD	Lifting Motor 3 Phase 60 Hz			Traversing Motor 3 Phase 60 Hz			Net Weight (lbs)	Max Wheel Load (lbs/wheel)
								Output (Hp) H/L	Rated Current (amps)		Output (Hp)	Rated Current (amps)			
									@208-230V H/L	@460V H/L		@208-230V	@460V		
5	RHN05M20B20DV①B	20	54	4/1	9	20/3.5	80/8	7.2/1.2	22.0/11.0	10.0/5.4	2 x 0.33	2 x 1.6	2 x 1.0	1295	3738
	RHN05M20B20DV①C		60											1315	3734
	RHN05M20B20DV①D		66											1335	3732
	RHN05M20B20DV①E		72											1355	3730
	RHN05M20B20DV①F		78											1375	3730
	RHN05M33B20DV①B	33	54	4/1	9	20/3.5	80/8	7.2/1.2	22.0/11.0	10.0/5.4	2 x 0.33	2 x 1.6	2 x 1.0	1328	3800
	RHN05M33B20DV①C		60											1348	3793
	RHN05M33B20DV①D		66											1368	3789
	RHN05M33B20DV①E		72											1388	3787
	RHN05M33B20DV①F		78											1408	3785
7 ½	RHN08M20C20DV①C	20	60	4/1	12.5	20/3.5	80/8	14.8/2.1	42.0/21.0	20.0/10.0	2 x 0.33	2 x 1.6	2 x 1.0	2153	5773
	RHN08M20C20DV①D		66											2181	5757
	RHN08M20C20DV①E		72											2209	5744
	RHN08M20C20DV①F		78											2237	5734
	RHN08M20C20DV①G		84											2265	5726
	RHN08M33C20DV①C	33	60	4/1	12.5	20/3.5	80/8	14.8/2.1	42.0/21.0	20.0/10.0	2 x 0.33	2 x 1.6	2 x 1.0	2230	5819
	RHN08M33C20DV①D		66											2258	5809
	RHN08M33C20DV①E		72											2286	5803
	RHN08M33C20DV①F		78											2314	5797
	RHN08M33C20DV①G		84											2342	5794
10	RHN10M20C20DV①C	20	60	4/1	12.5	20/3.5	80/8	14.8/2.1	42.0/21.0	20.0/10.0	2 x 0.33	2 x 1.6	2 x 1.0	2153	7461
	RHN10M20C20DV①D		66											2181	7437
	RHN10M20C20DV①E		72											2209	7422
	RHN10M20C20DV①F		78											2237	7408
	RHN10M20C20DV①G		84											2265	7397
	RHN10M33C20DV①C	33	60	4/1	12.5	20/3.5	80/8	14.8/2.1	42.0/21.0	20.0/10.0	2 x 0.33	2 x 1.6	2 x 1.0	2230	7519
	RHN10M33C20DV①D		66											2258	7506
	RHN10M33C20DV①E		72											2286	7495
	RHN10M33C20DV①F		78											2314	7488
	RHN10M33C20DV①G		84											2342	7482

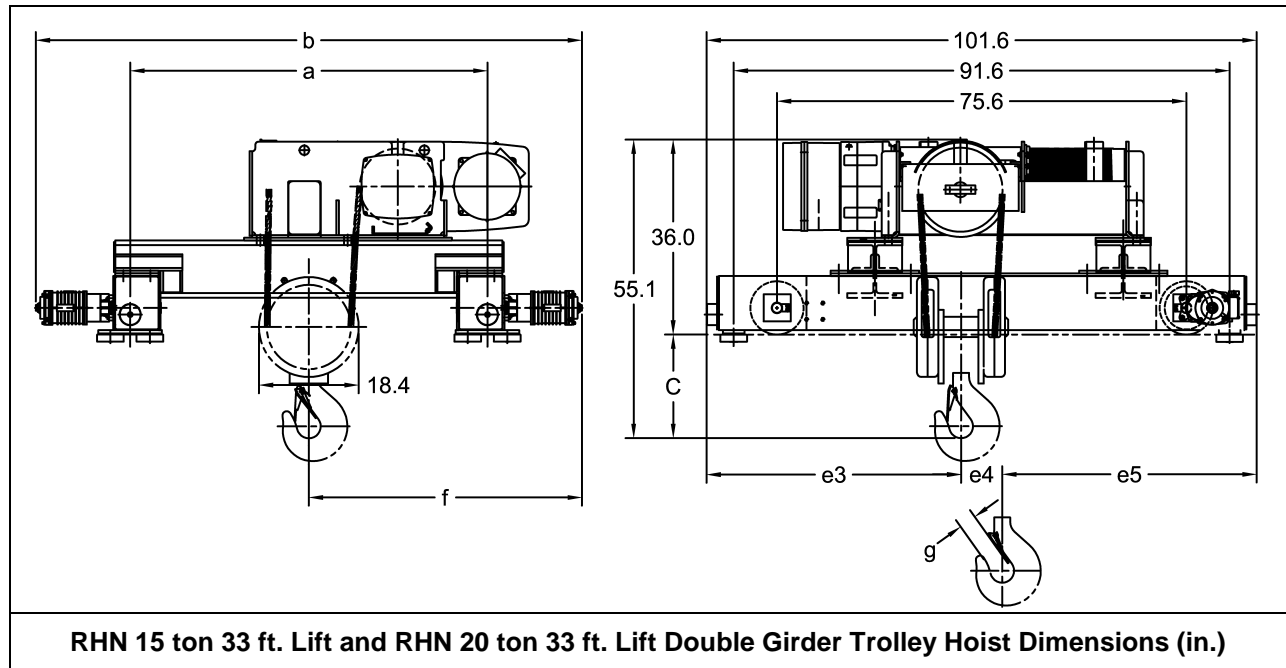
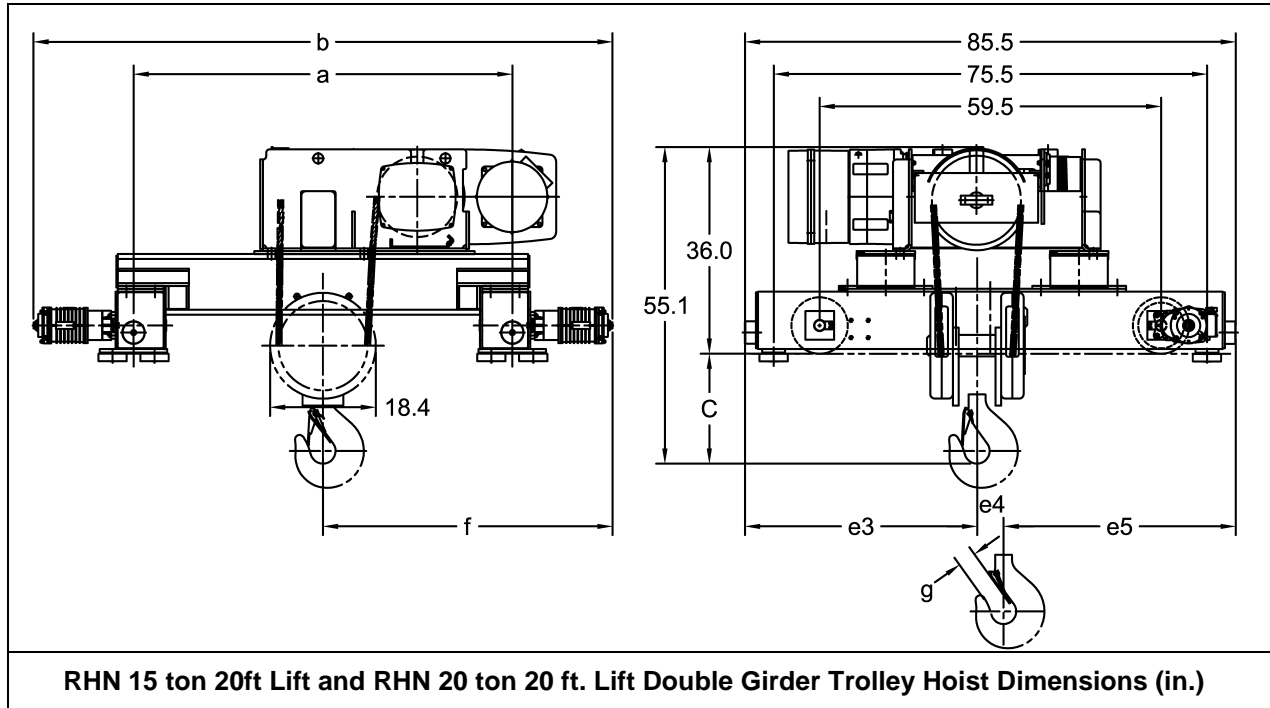
①
 1 = 208V – 3ph – 60Hz
 2 = 230V – 3ph – 60Hz
 4 = 460V – 3ph – 60Hz

Imperial Specifications – RHN Double Girder Trolley Hoist - Continued

Cap. (Tons)	Product Code	Std. Lift (ft)	Trolley Gauge (in)	Reeving	Rope (mm)	Lifting Speed (ft/min) H/L	Traversing Speed (ft/min) VFD	Lifting Motor 3 Phase 60 Hz			Traversing Motor 3 Phase 60 Hz			Net Weight (lbs)	Max Wheel Load (lbs/wheel)
								Output (Hp) H/L	Rated Current (amps)		Output (Hp)	Rated Current (amps)			
									@208 - 230V	@460V		@208 - 230V	@460V		
15	RHN15M20D16DV ¹ D	20	66	4/1	20	16/2.5	80/8	24.1/4.0	67.0/27.0	32.0/13.0	2 x 1.0	2 x 3.3	2 x 2.0	5067	12856
	RHN15M20D16DV ² E		72											5149	12851
	RHN15M20D16DV ² F		78											5224	12846
	RHN15M20D16DV ⁴ G		84											5301	12845
	RHN15M20D16DV ⁴ H		90											5378	12846
	RHN15M20D16DV ⁴ J		96											5455	12846
	RHN15M33D16DV ¹ D	33	66	4/1	20	16/2.5	80/8	24.1/4.0	67.0/27.0	32.0/13.0	2 x 1.0	2 x 3.3	2 x 2.0	5408	12838
	RHN15M33D16DV ² E		72											5490	12827
	RHN15M33D16DV ² F		78											5565	12818
	RHN15M33D16DV ⁴ G		84											5642	12812
	RHN15M33D16DV ⁴ H		90											5719	12808
	RHN15M33D16DV ⁴ J		96											5796	12804
20	RHN20M20D16DV ¹ D	20	66	4/1	20	16/2.5	80/8	24.1/4.0	67.0/27.0	32.0/13.0	2 x 1.0	2 x 3.3	2 x 2.0	5067	15571
	RHN20M20D16DV ² E		72											5149	15569
	RHN20M20D16DV ² F		78											5224	15568
	RHN20M20D16DV ⁴ G		84											5301	15570
	RHN20M20D16DV ⁴ H		90											5378	15572
	RHN20M20D16DV ⁴ J		96											5455	15574
	RHN20M33D16DV ¹ D	33	66	4/1	20	16/2.5	80/8	24.1/4.0	67.0/27.0	32.0/13.0	2 x 1.0	2 x 3.3	2 x 2.0	5408	15546
	RHN20M33D16DV ² E		72											5490	15537
	RHN20M33D16DV ² F		78											5565	15530
	RHN20M33D16DV ⁴ G		84											5642	15526
	RHN20M33D16DV ⁴ H		90											5719	15524
	RHN20M20D16DV ⁴ J		96											5796	15522







Imperial Dimensions – RHN Double Girder Trolley Hoist

Cap. (Tons)	Product Code	Std. Lift (ft)	Trolley Gauge a (in)	b (in)	Headroom C (in)	d (in)	e3 (in)	e4 (in)	e5 (in)	g (in)
5	RHN05M20B20DV①B	20	54	80	12.8	25.3	24.9	4.3	24.9	1.7
	RHN05M20B20DV①C		60	86			27.9		27.9	
	RHN05M20B20DV①D		66	92			30.9		30.9	
	RHN05M20B20DV①E		72	98			33.9		33.9	
	RHN05M20B20DV①F		78	104			36.9		36.9	
	RHN05M33B20DV①B	33	54	80	12.8	25.3	23.4	7.2	23.4	1.7
	RHN05M33B20DV①C		60	86			26.4		26.4	
	RHN05M33B20DV①D		66	92			29.4		29.4	
	RHN05M33B20DV①E		72	98			32.4		32.4	
	RHN05M33B20DV①F		78	104			35.4		35.4	
7 ½	RHN08M20C20DV①C	20	60	86	15.6	33.7	27.7	4.6	27.7	1.9
	RHN08M20C20DV①D		66	92			30.7		30.7	
	RHN08M20C20DV①E		72	98			33.7		33.7	
	RHN08M20C20DV①F		78	104			36.7		36.7	
	RHN08M20C20DV①G		84	110			39.7		39.7	
	RHN08M33C20DV①C	33	60	86	15.6	33.7	26.1	7.8	26.1	1.9
	RHN08M33C20DV①D		66	92			29.1		29.1	
	RHN08M33C20DV①E		72	98			32.1		32.1	
	RHN08M33C20DV①F		78	104			35.1		35.1	
	RHN08M33C20DV①G		84	110			38.1		38.1	
10	RHN10M20C20DV①C	20	60	86	15.6	33.7	27.7	4.6	27.7	1.9
	RHN10M20C20DV①D		66	92			30.7		30.7	
	RHN10M20C20DV①E		72	98			33.7		33.7	
	RHN10M20C20DV①F		78	104			36.7		36.7	
	RHN10M20C20DV①G		84	110			39.7		39.7	
	RHN10M33C20DV①C	33	60	86	15.6	33.7	26.1	7.8	26.1	1.9
	RHN10M33C20DV①D		66	92			29.1		29.1	
	RHN10M33C20DV①E		72	98			32.1		32.1	
	RHN10M33C20DV①F		78	104			35.1		35.1	
	RHN10M33C20DV①G		84	110			38.1		38.1	



- 1 = 208V – 3ph – 60Hz
- 2 = 230V – 3ph – 60Hz
- 4 = 460V – 3ph – 60Hz

Note : **Some** applications can utilize notched frame members providing a slight decrease in dimension (d), resulting in a slight increase in dimension (C). This would apply to custom applications only. Additional charges and lead time will apply.

Imperial Dimensions – RHN Double Girder Trolley Hoist - Continued

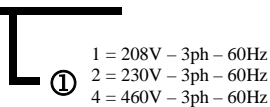
Cap. (Tons)	Product Code	Std. Lift (ft)	Trolley Gauge a (in)	b (in)	Headroom C (in)	e3 (in)	e4 (in)	e5 (in)	f (in)	g (in)
15	RHN15M20D16DV①D	20	66	99.9	19.1	40.4	4.6	40.4	49.9	3.2
	RHN15M20D16DV①E		72	105.9					52.9	
	RHN15M20D16DV①F		78	111.9					55.9	
	RHN15M20D16DV①G		84	117.9					58.9	
	RHN15M20D16DV①H		90	123.9					61.9	
	RHN15M20D16DV①J		96	129.9					64.9	
	RHN15M33D16DV①D	33	66	99.9	19.1	47.0	7.6	47.0	49.9	3.2
	RHN15M33D16DV①E		72	105.9					52.9	
	RHN15M33D16DV①F		78	111.9					55.9	
	RHN15M33D16DV①G		84	117.9					58.9	
	RHN15M33D16DV①H		90	123.9					61.9	
	RHN15M33D16DV①J		96	129.9					64.9	
20	RHN20M20D16DV①D	20	66	99.9	19.1	40.4	4.6	40.4	49.9	3.2
	RHN20M20D16DV①E		72	105.9					52.9	
	RHN20M20D16DV①F		78	111.9					55.9	
	RHN20M20D16DV①G		84	117.9					58.9	
	RHN20M20D16DV①H		90	123.9					61.9	
	RHN20M20D16DV①J		96	129.9					64.9	
	RHN20M33D16DV①D	33	66	99.9	19.1	47.0	7.6	47.0	49.9	3.2
	RHN20M33D16DV①E		72	105.9					52.9	
	RHN20M33D16DV①F		78	111.9					55.9	
	RHN20M33D16DV①G		84	117.9					58.9	
	RHN20M33D16DV①H		90	123.9					61.9	
	RHN20M20D16DV①J		96	129.9					64.9	



- 1 = 208V – 3ph – 60Hz
- 2 = 230V – 3ph – 60Hz
- 4 = 460V – 3ph – 60Hz

Metric Specifications – RHN Double Girder Trolley Hoist

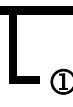
Cap. (Tons)	Product Code	Std. Lift (m)	Trolley Gauge (mm)	Reeving	Rope (mm)	Lifting Speed (m/min) H/L	Traversing Speed (m/min) VFD	Lifting Motor 3 Phase 60 Hz			Traversing Motor 3 Phase 60 Hz			Net Weight (Kg)	Max Wheel Load (Kg/wheel)
								Output (KW) H/L	Rated Current (amps)		Output (KW)	Rated Current (amps)			
									@208 - 230V	@460V		@208 - 230V	@460V		
5	RHN05M20B20DV①B	6	1372	4/1	9	6/1	24/2	5.4/0.9	21.7/8.4	10.0/5.4	2 x 0.25	2 x 1.6	2 x 1.0	588	1696
	RHN05M20B20DV①C		1524											597	1694
	RHN05M20B20DV①D		1676											606	1693
	RHN05M20B20DV①E		1829											615	1692
	RHN05M20B20DV①F		1981											624	1692
	RHN05M33B20DV①B	10	1372	4/1	9	6/1	24/2	5.4/0.9	21.7/8.4	10.0/5.4	2 x 0.25	2 x 1.6	2 x 1.0	602	1724
	RHN05M33B20DV①C		1524											612	1720
	RHN05M33B20DV①D		1676											621	1719
	RHN05M33B20DV①E		1829											630	1718
	RHN05M33B20DV①F		1981											639	1717
7 ½	RHN08M20C20DV①C	6	1524	4/1	12.5	6/1	24/2	11.0/1.6	41.8/20.9	20.0/10.0	2 x 0.25	2 x 1.6	2 x 1.0	977	2619
	RHN08M20C20DV①D		1676											989	2611
	RHN08M20C20DV①E		1829											1002	2605
	RHN08M20C20DV①F		1981											1015	2601
	RHN08M20C20DV①G		2134											1027	2597
	RHN08M33C20DV①C	10	1524	4/1	12.5	6/1	24/2	11.0/1.6	41.8/20.9	20.0/10.0	2 x 0.25	2 x 1.6	2 x 1.0	1012	2637
	RHN08M33C20DV①D		1676											1024	2633
	RHN08M33C20DV①E		1829											1037	2629
	RHN08M33C20DV①F		1981											1050	2627
	RHN08M33C20DV①G		2134											1062	2625
10	RHN10M20C20DV①C	6	1524	4/1	12.5	6/1	24/2	11.0/1.6	41.8/20.9	20.0/10.0	2 x 0.25	2 x 1.6	2 x 1.0	977	3384
	RHN10M20C20DV①D		1676											989	3373
	RHN10M20C20DV①E		1829											1002	3365
	RHN10M20C20DV①F		1981											1015	3360
	RHN10M20C20DV①G		2134											1027	3355
	RHN10M33C20DV①C	10	1524	4/1	12.5	6/1	24/2	11.0/1.6	41.8/20.9	20.0/10.0	2 x 0.25	2 x 1.6	2 x 1.0	1012	3411
	RHN10M33C20DV①D		1676											1024	3405
	RHN10M33C20DV①E		1829											1037	3400
	RHN10M33C20DV①F		1981											1050	3396
	RHN10M33C20DV①G		2134											1062	3394



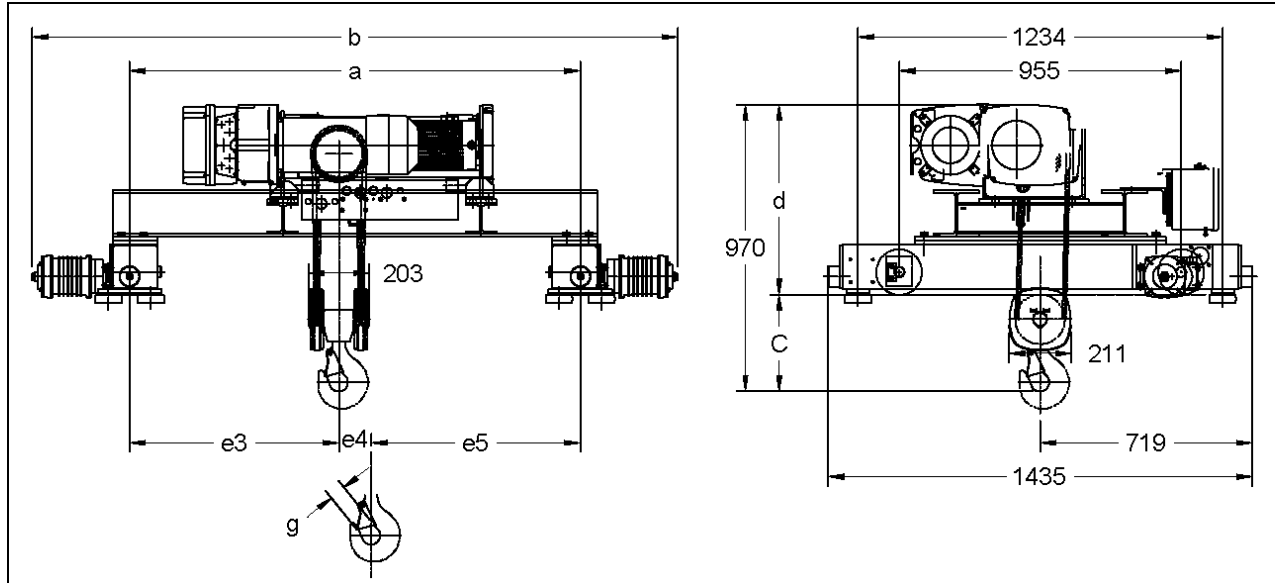
1 = 208V – 3ph – 60Hz
 2 = 230V – 3ph – 60Hz
 4 = 460V – 3ph – 60Hz

Metric Specifications – RHN Double Girder Trolley Hoist - Continued

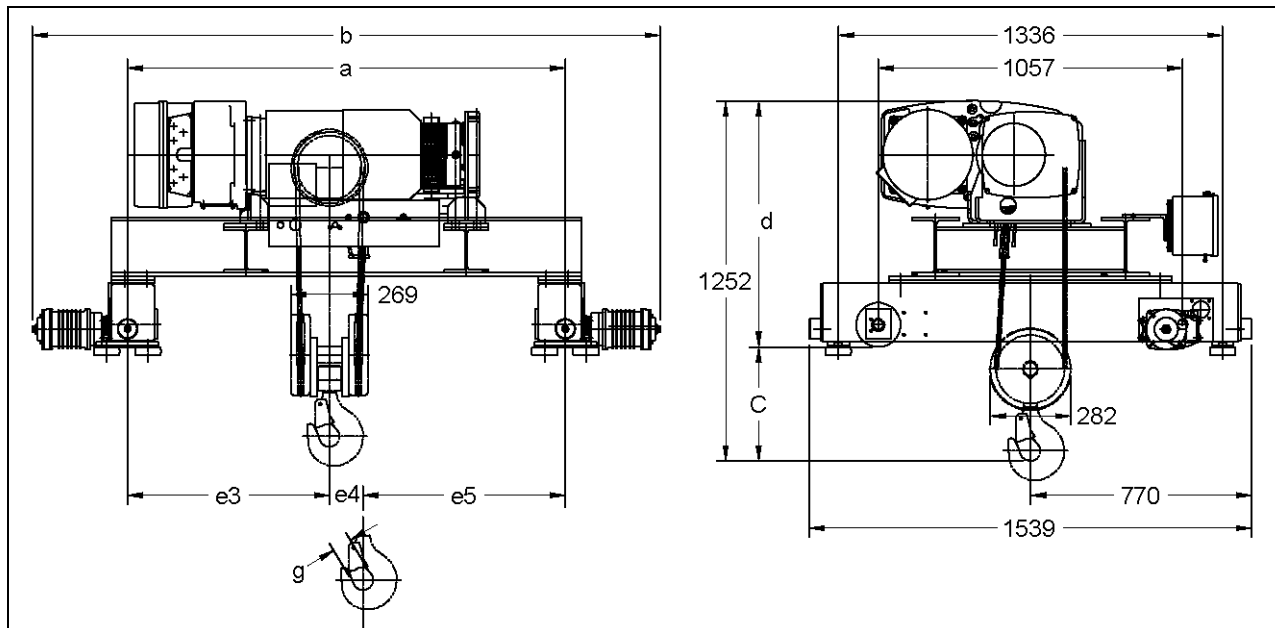
Cap. (Tons)	Product Code	Std. Lift (m)	Trolley Gauge (mm)	Reeving	Rope (mm)	Lifting Speed (m/min) H/L	Traversing Speed (m/min) VFD	Lifting Motor 3 Phase 60 Hz			Traversing Motor 3 Phase 60 Hz			Net Weight (Kg)	Max Wheel Load (Kg/wheel)
								Output (KW) H/L	Rated Current (amps)		Output (KW)	Rated Current (amps)			
									@208 - 230V	@460V		@208 - 230V	@460V		
15	RHN15M20D16DV ^① D	6	1676	4/1	20	4.8/0.7	24/2	18/3	67.0/27.0	32.0/13.0	2 x 0.75	2 x 3.3	2 x 2.0	2298	5831
	RHN15M20D16DV ^② E		1829											2336	5829
	RHN15M20D16DV ^③ F		1981											2370	5827
	RHN15M20D16DV ^④ G		2134											2404	5826
	RHN15M20D16DV ^④ H		2286											2439	5827
	RHN15M20D16DV ^④ J		2438											2474	5827
	RHN15M33D16DV ^① D	10	1676	4/1	20	4.8/0.7	24/2	18/3	67.0/27.0	32.0/13.0	2 x 0.75	2 x 3.3	2 x 2.0	2453	5823
	RHN15M33D16DV ^② E		1829											2490	5818
	RHN15M33D16DV ^③ F		1981											2524	5814
	RHN15M33D16DV ^④ G		2134											2559	5811
	RHN15M33D16DV ^④ H		2286											2594	5810
	RHN15M33D16DV ^④ J		2438											2629	5808
20	RHN20M20D16DV ^① D	6	1676	4/1	20	4.8/0.7	24/2	18/3	67.0/27.0	32.0/13.0	2 x 0.75	2 x 3.3	2 x 2.0	2298	7063
	RHN20M20D16DV ^② E		1829											2336	7062
	RHN20M20D16DV ^③ F		1981											2370	7062
	RHN20M20D16DV ^④ G		2134											2404	7062
	RHN20M20D16DV ^④ H		2286											2439	7063
	RHN20M20D16DV ^④ J		2438											2474	7064
	RHN20M33D16DV ^① D	10	1676	4/1	20	4.8/0.7	24/2	18/3	67.0/27.0	32.0/13.0	2 x 0.75	2 x 3.3	2 x 2.0	2453	7052
	RHN20M33D16DV ^② E		1829											2490	7047
	RHN20M33D16DV ^③ F		1981											2524	7044
	RHN20M33D16DV ^④ G		2134											2559	7042
	RHN20M33D16DV ^④ H		2286											2594	7042
	RHN20M20D16DV ^④ J		2438											2629	7041



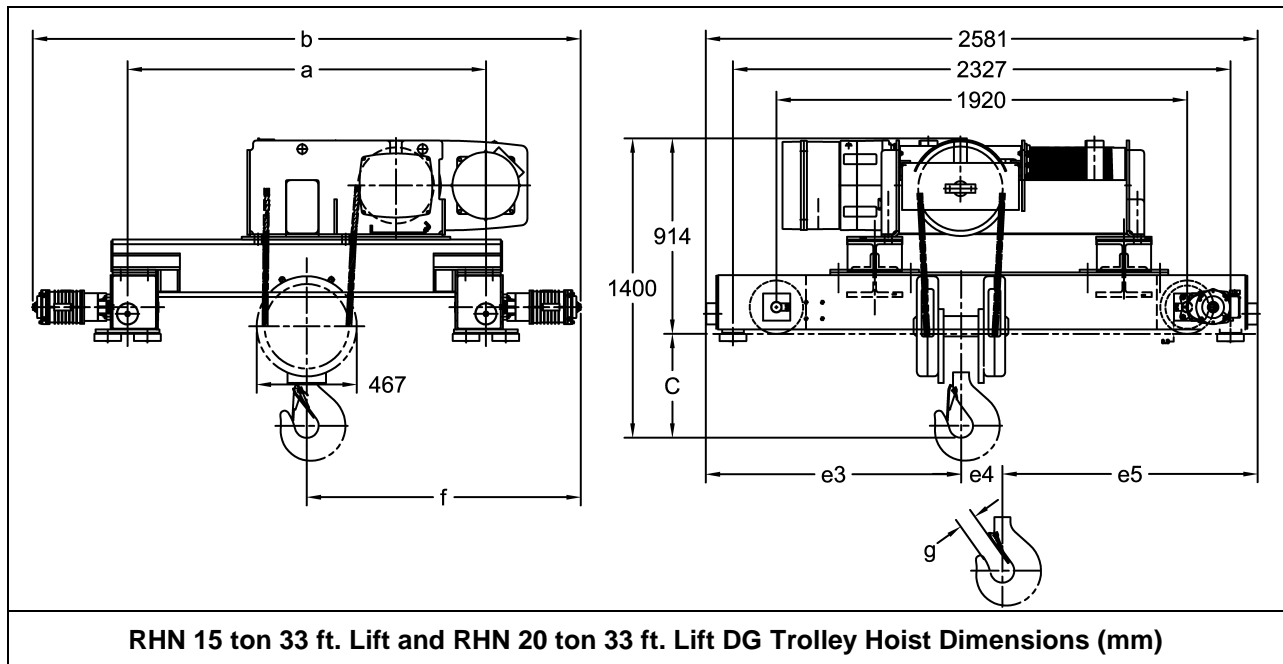
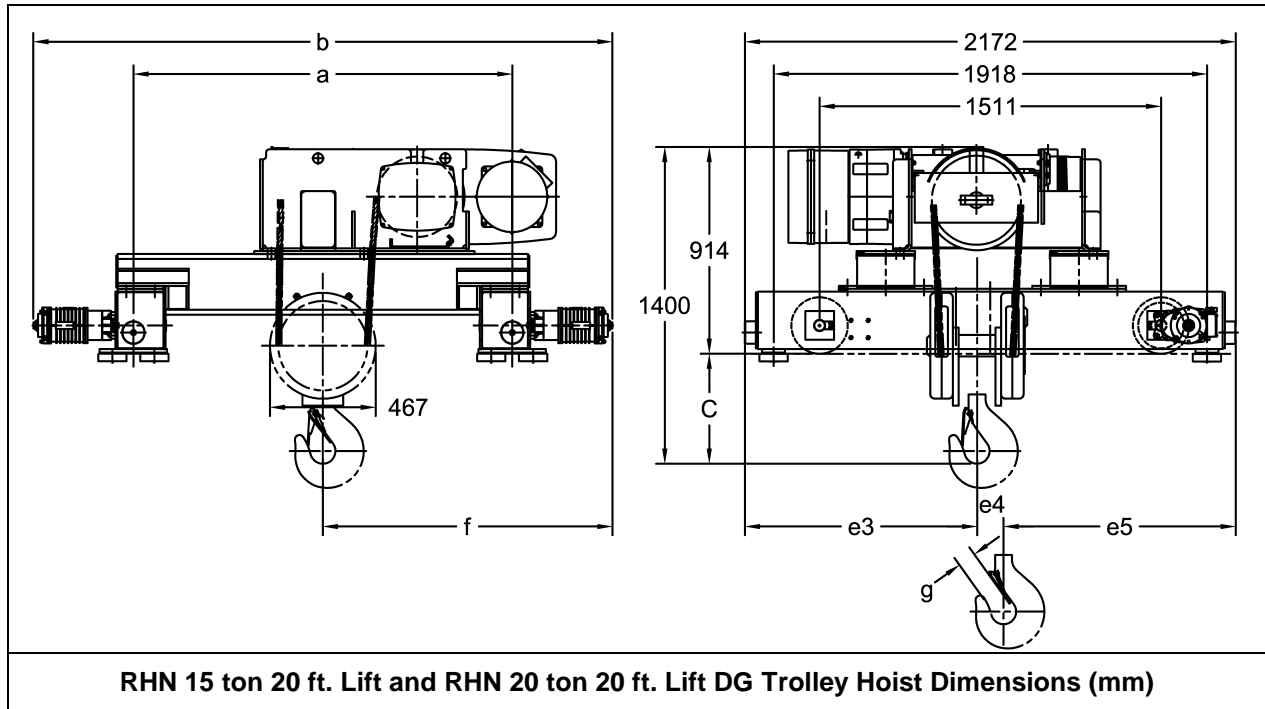
 1 = 208V – 3ph – 60Hz
 2 = 230V – 3ph – 60Hz
 4 = 460V – 3ph – 60Hz



RHN 5 ton DG Trolley Hoist Dimensions (mm)

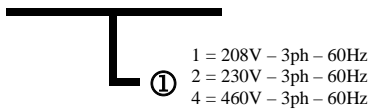


RHN 7 1/2 and 10 ton DG Trolley Hoist Dimensions mm



Metric Dimensions – RHN Double Girder Trolley Hoist

Cap. (Tons)	Product Code	Std. Lift (m)	Trolley Gauge a (mm)	b (mm)	Headroom C (mm)	d (mm)	e3 (mm)	e4 (mm)	e5 (mm)	g (mm)
5	RHN05M20B20DVⓐB	6	1372	2032	325	643	633	109	633	42
	RHN05M20B20DVⓐC		1524	2184			709		709	
	RHN05M20B20DVⓐD		1676	2337			785		785	
	RHN05M20B20DVⓐE		1829	2489			861		861	
	RHN05M20B20DVⓐF		1981	2642			937		937	
	RHN05M33B20DVⓐB	10	1372	2032	325	643	595	183	595	42
	RHN05M33B20DVⓐC		1524	2184			671		671	
	RHN05M33B20DVⓐD		1676	2337			747		747	
	RHN05M33B20DVⓐE		1829	2489			823		823	
	RHN05M33B20DVⓐF		1981	2642			899		899	
7 ½	RHN08M20C20DVⓐC	6	1524	2184	396	856	704	117	704	49
	RHN08M20C20DVⓐD		1676	2337			780		780	
	RHN08M20C20DVⓐE		1829	2489			856		856	
	RHN08M20C20DVⓐF		1981	2642			932		932	
	RHN08M20C20DVⓐG		2134	2794			1008		1008	
	RHN08M33C20DVⓐC	10	1524	2184	396	856	663	198	663	49
	RHN08M33C20DVⓐD		1676	2337			739		739	
	RHN08M33C20DVⓐE		1829	2489			815		815	
	RHN08M33C20DVⓐF		1981	2642			892		892	
	RHN08M33C20DVⓐG		2134	2794			968		968	
10	RHN10M20C20DVⓐC	6	1524	2184	396	856	704	117	704	49
	RHN10M20C20DVⓐD		1676	2337			780		780	
	RHN10M20C20DVⓐE		1829	2489			856		856	
	RHN10M20C20DVⓐF		1981	2642			932		932	
	RHN10M20C20DVⓐG		2134	2794			1008		1008	
	RHN10M33C20DVⓐC	10	1524	2184	396	856	663	198	663	49
	RHN10M33C20DVⓐD		1676	2337			739		739	
	RHN10M33C20DVⓐE		1829	2489			815		815	
	RHN10M33C20DVⓐF		1981	2642			892		892	
	RHN10M33C20DVⓐG		2134	2794			968		968	



Note : **Some** applications can utilize notched frame members providing a slight decrease in dimension (d), resulting in a slight increase in dimension (C). This would apply to custom applications only. Additional charges and lead time will apply.

Metric Dimensions – RHN Double Girder Trolley Hoist - Continued

Cap. (Tons)	Product Code	Std. Lift (m)	Trolley Gauge a (mm)	b (mm)	Headroom C (mm)	e3 (mm)	e4 (mm)	e5 (mm)	f (mm)	g (mm)
15	RHN15M20D16DV①D	6	1676	2538	485	1026	117	1026	1268	81
	RHN15M20D16DV①E		1829	2690					1344	
	RHN15M20D16DV①F		1981	2842					1420	
	RHN15M20D16DV①G		2134	2995					1496	
	RHN15M20D16DV①H		2286	3147					1572	
	RHN15M20D16DV①J		2438	3300					1649	
	RHN15M33D16DV①D	10	1676	2538	485	1194	193	1194	1268	81
	RHN15M33D16DV①E		1829	2690					1344	
	RHN15M33D16DV①F		1981	2842					1420	
	RHN15M33D16DV①G		2134	2995					1496	
	RHN15M33D16DV①H		2286	3147					1572	
	RHN15M33D16DV①J		2438	3300					1649	
20	RHN20M20D16DV①D	6	1676	2538	485	1026	117	1026	1268	81
	RHN20M20D16DV①E		1829	2690					1344	
	RHN20M20D16DV①F		1981	2842					1420	
	RHN20M20D16DV①G		2134	2995					1496	
	RHN20M20D16DV①H		2286	3147					1572	
	RHN20M20D16DV①J		2438	3300					1649	
	RHN20M33D16DV①D	10	1676	2538	485	1194	193	1194	1268	81
	RHN20M33D16DV①E		1829	2690					1344	
	RHN20M33D16DV①F		1981	2842					1420	
	RHN20M33D16DV①G		2134	2995					1496	
	RHN20M33D16DV①H		2286	3147					1572	
	RHN20M20D16DV①J		2438	3300					1649	



1 = 208V – 3ph – 60Hz
 2 = 230V – 3ph – 60Hz
 4 = 460V – 3ph – 60Hz

END