



**NER2G & NER2P Electric Chain Hoist with Manual
Trolley**
Food Grade Model
Specifications and Dimensions

PURPOSE

To provide dimension and specification information for single and dual speed food grade NER2 model electric chain hoist equipped with manual push and geared trolleys.

IMPERIAL SPECIFICATIONS - SINGLE SPEED HOIST WITH GEARED OR PUSH TROLLEY

Cap. (Tons)	Product Code	Standard Lift (ft)	Push Button Cord L (ft)	Lifting Speed (ft/min)	Lifting Motor 3 Phase 60 Hz			Flange Width Adjustability B (in)		Minimum* Allow. Radius for curve (in)	Load Chain Diameter (mm) x Chain Fall Lines	Net Weight (lbs)	Weight for Additional One Foot of Lift (lbs)
					Output (Hp)	Rated Current (amps)		Standard	Optional				
						@208 - 230V	@460V						
1/4	NER2P(NER2G)003L-FG	10	8.2	15	0.75	3.4	1.7	2.28 to 4.00 (2.28 to 5.00)	4.01 to 8.00 (5.01 to 8.00) OR 8.01 to 12.00	43.3 (51.2)	6.0 x 1	82 (99)	0.54 (1.1)
1/2	NER2P(NER2G)005L-FG												
1	NER2P(NER2G)010L-FG			14	1.2	4.8	2.5	2.28 to 5.00	5.01 to 8.00 OR 8.01 to 12.00	51.2	7.7 x 1	121 (130)	0.89 (1.6)
2	NER2P(NER2G)020L-FG												

Figures in parentheses are data for geared trolley.

*Minimum Flange Width for curved beam: 1 Ton Push and 1/4 to 1 Ton Geared = 2.87 in.

IMPERIAL DIMENSIONS - SINGLE SPEED HOIST WITH GEARED TROLLEY

Cap. (Tons)	Product Code	Headroom C (in)	Headroom C w/Stainless Hook (in)	E (ft)	a (in)	b (in)	e (in)	g (in)	g w/Stainless Hook (in)	h (in)	i (in)	j (in)	k (in)	k' (in)	m (in)	n (in)	r (in)	t (in)	u (in)
1/4	NER2G003L-FG	17.1	20.3	10.5	13.6	9.3	6.0	1.1	1.2	4.2	2.80	1.1	3.7	4.2	2.2	4.4	1.9	0.98	7.2
1/2	NER2G005L-FG																		
1	NER2G010L-FG	18.5	22.8	10.5	13.6	9.3	6.0	1.2	1.5	4.2	2.80	1.1	3.7	4.2	2.2	4.4	1.9	0.98	7.2
2	NER2G020L-FG	25.0	25.8	10.5	15.2	11.0	6.1	1.6	1.7	5.0	3.35	1.4	4.4	4.3	2.8	5.2	2.4	1.26	7.2

IMPERIAL DIMENSIONS - SINGLE SPEED HOIST WITH PUSH TROLLEY

Cap. (Tons)	Product Code	Headroom C (in)	Headroom C w/Stainless Hook (in)	a (in)	b (in)	e (in)	g (in)	g w/Stainless Hook (in)	h (in)	i (in)	j (in)	k (in)	m (in)	n (in)	r (in)	t (in)
1/4	NER2P003L-FG	16.3	19.5	8.0	7.2	1.8	1.1	1.2	3.2	2.36	0.8	3.0	1.9	3.3	1.5	0.87
1/2	NER2P005L-FG															
1	NER2P010L-FG	18.5	22.8	9.8	9.3	2.2	1.2	1.5	4.2	2.80	1.1	3.7	2.2	4.4	2.0	0.98
2	NER2P020L-FG	25.0	25.8	11.8	11.0	2.7	1.6	1.7	5.0	3.35	1.4	4.4	2.8	5.2	2.4	1.26

GENERAL USE
EDOC0776



**NER2G & NER2P Electric Chain Hoist with Manual
Trolley**
Food Grade Model
Specifications and Dimensions

METRIC SPECIFICATIONS - SINGLE SPEED HOIST WITH GEARED OR PUSH TROLLEY

Cap. (Tons)	Product Code	Standard Lift (m)	Push Button Cord L (m)	Lifting Speed (m/min)	Lifting Motor 3 Phase 60 Hz			Flange Width Adjustability B (mm)		Minimum* Allow. Radius for curve (mm)	Load Chain Diameter (mm) x Chain Fall Lines	Net Weight (kg)	Weight for Additional One Meter of Lift (kg)
					Output (kW)	Rated Current (amps)		Standard	Optional				
						@208 - 230V	@460V						
1/4	NER2P(NER2G)003L-FG	3.0	2.5	4.6	0.56	3.4	1.7	58 to 102 (58 to 127)	103 to 203 (128 to 203) OR 204 to 305	1100 (1300)	6.0 x 1	37 (45)	0.81 (1.7)
1/2	NER2P(NER2G)005L-FG												
1	NER2P(NER2G)010L-FG			4.3	0.9	4.8	2.5	58 to 127	128 to 203 OR 204 to 305	1300	7.7 x 1	55 (59)	1.33 (2.3)
2	NER2P(NER2G)020L-FG												

Figures in parentheses are data for geared trolley.

*Minimum Flange Width for curved beam: 1 Ton Push and 1/4 to 1 Ton Geared = 73 mm

METRIC DIMENSIONS - SINGLE SPEED HOIST WITH GEARED TROLLEY

Cap. (Tons)	Product Code	Headroom C (mm)	Headroom C w/Stainless Hook (mm)	E (m)	a (mm)	b (mm)	e (mm)	g (mm)	g w/Stainless Hook (mm)	h (mm)	i (mm)	j (mm)	k (mm)	k' (mm)	m (mm)	n (mm)	r (mm)	t (mm)	u (mm)
1/4	NER2G003L-FG	435	515	3.2	345	236	152	27	31	106	71	29	95	106	56	112	50	25	183
1/2	NER2G005L-FG																		
1	NER2G010L-FG	470	580	3.2	345	236	152	31	37	106	71	29	95	106	56	112	50	25	183
2	NER2G020L-FG	635	655	3.2	385	280	154	40	44	127	85	35	112	109	71	131	62	32	183

METRIC DIMENSIONS - SINGLE SPEED HOIST WITH PUSH TROLLEY

Cap. (Tons)	Product Code	Headroom C (mm)	Headroom C w/Stainless Hook (mm)	a (mm)	b (mm)	e (mm)	g (mm)	g w/Stainless Hook (mm)	h (mm)	i (mm)	j (mm)	k (mm)	m (mm)	n (mm)	r (mm)	t (mm)
1/4	NER2P003L-FG	415	495	204	182	46	27	31	82	60	22	76	48	84	38	22
1/2	NER2P005L-FG															
1	NER2P010L-FG	470	580	249	236	56	31	37	106	71	28	95	56	112	50	25
2	NER2P020L-FG	635	655	300	280	69	40	44	127	85	35	112	71	131	62	32

GENERAL USE
EDOC0776



NER2G & NER2P Electric Chain Hoist with Manual Trolley
Food Grade Model
Specifications and Dimensions

IMPERIAL SPECIFICATIONS - DUAL SPEED HOIST WITH GEARED OR PUSH TROLLEY

Cap. (Tons)	Product Code	Standard Lift (ft)	Push Button Cord L (ft)	Lifting Speed (ft/min)	Lifting Motor** 3 Phase 60 Hz			Flange Width Adjustability B (in)		Minimum* Allow. Radius for curve (in)	Load Chain Diameter (mm) x Chain Fall Lines	Net Weight (lbs)	Weight for Additional One Foot of Lift (lbs)
					Output (Hp)	Rated Current (amps)		Standard	Optional				
						@208 - 230V	@460V						
1/4	NER2P(NER2G)003LD-FG	10	8.2	15/2.5	0.75	3.6	1.8	2.28 to 4.00 (2.28 to 5.00)	4.01 to 8.00 (5.01 to 8.00) OR 8.01 to 12.00	43.3 (51.2)	6.0 x 1	80 (97)	0.54 (1.1)
1/2	NER2P(NER2G)005LD-FG												
1	NER2P(NER2G)010LD-FG			14/2.5	1.2	5.1	2.7	2.28 to 5.00	5.01 to 8.00 OR 8.01 to 12.00	51.2	7.7 x 1	117 (126)	0.89 (1.6)
2	NER2P(NER2G)020LD-FG												

Figures in parentheses are data for geared trolley.

*Minimum Flange Width for curved beam: 1 Ton Push and 1/4 to 1 Ton Geared = 2.87 in.

** Although both 208/230 & 460 Volts are shown together, the motors are NOT reconnectable.

IMPERIAL DIMENSIONS - DUAL SPEED HOIST WITH GEARED TROLLEY

Cap. (Tons)	Product Code	Headroom C (in)	Headroom C w/Stainless Hook (in)	E (ft)	a (in)	b (in)	e (in)	g (in)	g w/Stainless Hook (in)	h (in)	i (in)	j (in)	k (in)	k' (in)	m (in)	n (in)	r (in)	t (in)	u (in)
1/4	NER2G003LD-FG	17.1	20.3	10.5	13.6	9.3	6.0	1.1	1.2	4.2	2.80	1.1	3.7	4.2	2.2	4.4	1.9	0.98	7.2
1/2	NER2G005LD-FG																		
1	NER2G010LD-FG	18.5	22.8	10.5	13.6	9.3	6.0	1.2	1.5	4.2	2.80	1.1	3.7	4.2	2.2	4.4	1.9	0.98	7.2
2	NER2G020LD-FG	25.0	25.8	10.5	15.2	11.0	6.1	1.6	1.7	5.0	3.35	1.4	4.4	4.3	2.8	5.2	2.4	1.26	7.2

IMPERIAL DIMENSIONS - DUAL SPEED HOIST WITH PUSH TROLLEY

Cap. (Tons)	Product Code	Headroom C (in)	Headroom C w/Stainless Hook (in)	a (in)	b (in)	e (in)	g (in)	g w/Stainless Hook (in)	h (in)	i (in)	j (in)	k (in)	m (in)	n (in)	r (in)	t (in)
1/4	NER2P003LD-FG	16.3	19.5	8.0	7.2	1.8	1.1	1.2	3.2	2.36	0.8	3.0	1.9	3.3	1.5	0.87
1/2	NER2P005LD-FG															
1	NER2P010LD-FG	18.5	22.8	9.8	9.3	2.2	1.2	1.5	4.2	2.80	1.1	3.7	2.2	4.4	2.0	0.98
2	NER2P020LD-FG	25.0	25.8	11.8	11.0	2.7	1.6	1.7	5.0	3.35	1.4	4.4	2.8	5.2	2.4	1.26



NER2G & NER2P Electric Chain Hoist with Manual Trolley
Food Grade Model
Specifications and Dimensions

METRIC SPECIFICATIONS - DUAL SPEED HOIST WITH GEARED OR PUSH TROLLEY

Cap. (Tons)	Product Code	Standard Lift (m)	Push Button Cord L (m)	Lifting Speed (m/min)	Lifting Motor** 3 Phase 60 Hz			Flange Width Adjustability B (mm)		Minimum* Allow. Radius for curve (mm)	Load Chain Diameter (mm) x Chain Fall Lines	Net Weight (kg)	Weight for Additional One Meter of Lift (kg)
					Output (kW)	Rated Current (amps)		Standard	Optional				
						@208 - 230V	@460V						
1/4	NER2P(NER2G)003LD-FG	3.0	2.5	4.6/8	0.56	3.6	1.8	58 to 102 (58 to 127)	103 to 203 (128 to 203) OR 204 to 305	1100 (1300)	6.0 x 1	36 (44)	0.81 (1.7)
1/2	NER2P(NER2G)005LD-FG												
1	NER2P(NER2G)010LD-FG			4.3/7	0.9	5.1	2.7	58 to 127	128 to 203 OR 204 to 305	1300	7.7 x 1	53 (57)	1.33 (2.3)
2	NER2P(NER2G)020LD-FG												

Figures in parentheses are data for geared trolley.

*Minimum Flange Width for curved beam: 1 Ton Push and 1/4 to 1 Ton Geared = 73 mm

** Although both 208/230 & 460 Volts are shown together, the motors are NOT reconnectable.

METRIC DIMENSIONS - DUAL SPEED HOIST WITH GEARED TROLLEY

Cap. (Tons)	Product Code	Headroom C (mm)	Headroom C w/Stainless Hook (mm)	E (m)	a (mm)	b (mm)	e (mm)	g (mm)	g w/Stainless Hook (mm)	h (mm)	i (mm)	j (mm)	k (mm)	k' (mm)	m (mm)	n (mm)	r (mm)	t (mm)	u (mm)
1/4	NER2G003L-FG	435	515	3.2	345	236	152	27	31	106	71	29	95	106	56	112	50	25	183
1/2	NER2G005L-FG																		
1	NER2G010L-FG	470	580	3.2	345	236	152	31	37	106	71	29	95	106	56	112	50	25	183
2	NER2G020L-FG	635	655	3.2	385	280	154	40	44	127	85	35	112	109	71	131	62	32	183

METRIC DIMENSIONS - DUAL SPEED HOIST WITH PUSH TROLLEY

Cap. (Tons)	Product Code	Headroom C (mm)	Headroom C w/Stainless Hook (mm)	a (mm)	b (mm)	e (mm)	g (mm)	g w/Stainless Hook (mm)	h (mm)	i (mm)	j (mm)	k (mm)	m (mm)	n (mm)	r (mm)	t (mm)
1/4	NER2P003L-FG	415	495	204	182	46	27	31	82	60	22	76	48	84	38	22
1/2	NER2P005L-FG															
1	NER2P010L-FG	470	580	249	236	56	31	37	106	71	28	95	56	112	50	25
2	NER2P020L-FG	635	655	300	280	69	40	44	127	85	35	112	71	131	62	32

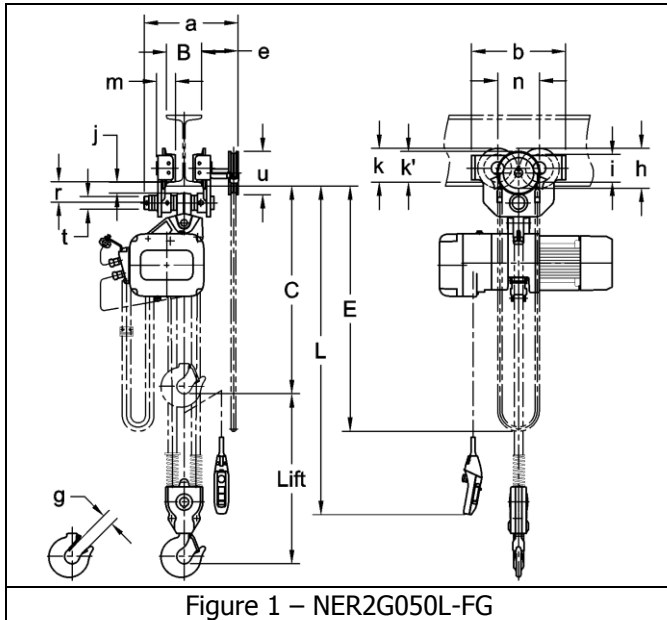


Figure 1 – NER2G050L-FG

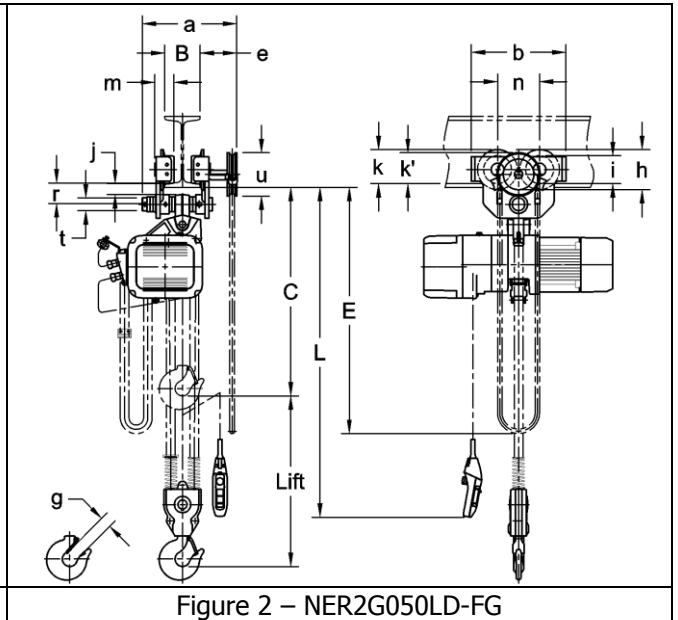


Figure 2 – NER2G050LD-FG

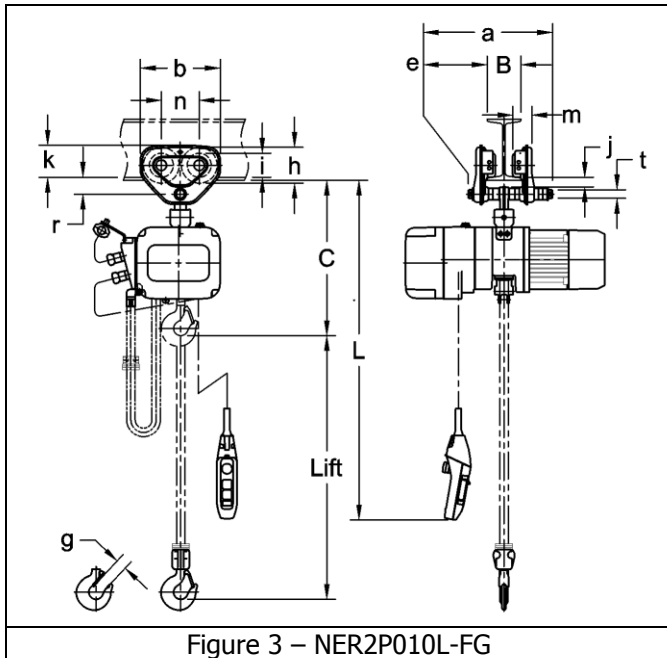


Figure 3 – NER2P010L-FG

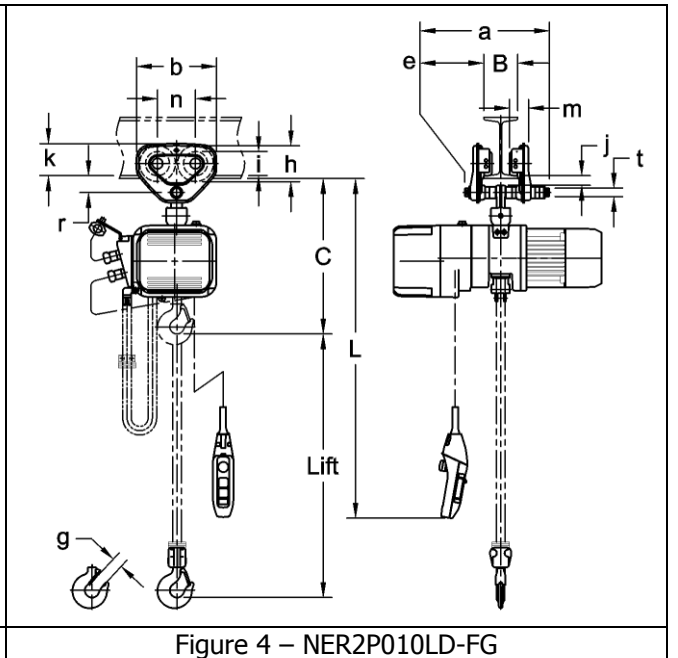


Figure 4 – NER2P010LD-FG

END