



NER2M Electric Chain Hoist with Motorized Trolley
Food Grade Model
Specifications and Dimensions

PURPOSE

To provide dimension and specification information for hook mount, single and dual speed food grade NER2M model electric chain hoist.

IMPERIAL SPECIFICATIONS - SINGLE SPEED HOIST WITH SINGLE SPEED TROLLEY

Cap. (Tons)	Product Code	Std. Lift (ft)	Push Button Cord L (ft)	Lifting Speed (ft/min)	Traversing Speed (ft/min)	Lifting Motor 3 Phase 60 Hz			Traversing Motor 3 Phase 60 Hz			Flange Width Adjustability B (in)		Minimum Allow. Radius for curve (in)	Load Chain Diameter (mm) x Chain Fall Lines	Net Weight (lbs)	Weight for Additional One Foot of Lift (lbs)
						Output (Hp)	Rated Current (amps)		Output (Hp)	Rated Current (amps)		Standard	Optional				
							@208 - 230V	@460V		@208 - 230V	@460V						
1/4	NER2M003L-L/S-FG	10	8.2	15	L = 40 S = 80	0.75	3.4	1.7	0.54	3.2	1.6	2.28 to 5.00	5.01 to 6.02 OR 6.03 to 12.00	31.5*	6.0 x 1	139	0.54
1/2	NER2M005L-L/S-FG			14		1.2	4.8	2.5	0.54	3.2	1.6		7.7 x 1		170	0.89	
1	NER2M010L-L/S-FG			14		2.4	8.6	4.2	0.54	3.2	1.6	3.23 to 6.02	6.03 to 7.02 OR 7.03 to 12.00	31.5**	10.2 x 1	245	1.6
2	NER2M020L-L/S-FG			14		2.4	8.6	4.2	0.54	3.2	1.6	3.23 to 6.02	6.03 to 7.02 OR 7.03 to 12.00	31.5**	10.2 x 1	245	1.6

*Flange widths smaller than 4 inches will have a minimum radius of 137.8 inches.

**Flange widths smaller than 5 inches will have a minimum radius of 39.4 inches.

IMPERIAL DIMENSIONS - SINGLE SPEED HOIST WITH SINGLE SPEED TROLLEY

Cap. (Tons)	Product Code	Headroom C (in)	Headroom C w/Stainless Hook (in)	b (in)	b' (in)	d (in)	e (in)	e' (in)	g (in)	g w/Stainless Hook (in)	i (in)	j (in)	k (in)	m (in)	n (in)	r (in)	t (in)	u (in)
1/4	NER2M003L-L/S-FG	15.6	18.7	12.4	15.6	8.7	20.3	7.1	1.1	1.2	3.74	0.9	5.1	8.1	4.3	2.0	1.22	3.3
1/2	NER2M005L-L/S-FG																	
1	NER2M010L-L/S-FG	17.1	21.5	12.4	15.6	8.7	20.3	7.1	1.2	1.5	3.74	0.9	5.1	8.1	4.3	2.0	1.22	3.3
2	NER2M020L-L/S-FG	22.4	23.2	12.8	16.4	8.8	20.5	7.3	1.6	1.7	4.33	1.1	4.9	8.3	4.6	2.4	1.42	3.0



NER2M Electric Chain Hoist with Motorized Trolley
Food Grade Model
Specifications and Dimensions

METRIC SPECIFICATIONS - SINGLE SPEED HOIST WITH SINGLE SPEED TROLLEY

Cap. (Tons)	Product Code	Std. Lift (m)	Push Button Cord L (m)	Lifting Speed (m/min)	Traversing Speed (m/min)	Lifting Motor 3 Phase 60 Hz			Traversing Motor 3 Phase 60 Hz			Flange Width Adjustability B (mm)		Minimum Allow. Radius for curve (mm)	Load Chain Diameter (mm) x Chain Fall Lines	Net Weight (kg)	Weight for Additional One Meter of Lift (kg)
						Output (kW)	Rated Current (amps)		Output (kW)	Rated Current (amps)		Standard	Optional				
							@208 - 230V	@460V		@208 - 230V	@460V						
1/4	NER2M003L-L/S-FG	3.0	2.5	4.6	L = 12.2 S = 24.4	0.56	3.4	1.7	0.4	3.2	1.6	58 to 127	128 to 153 OR 154 to 305	800*	6.0 x 1	63	0.81
1/2	NER2M005L-L/S-FG			4.3		0.9	4.8	2.5	0.4	3.2	1.6						
1	NER2M010L-L/S-FG			4.3		1.8	8.6	4.2	0.4	3.2	1.6						

*Flange widths smaller than 100mm will have a minimum radius of 3500mm.
**Flange widths smaller than 150mm will have a minimum radius of 1000mm.

METRIC DIMENSIONS - SINGLE SPEED HOIST WITH SINGLE SPEED TROLLEY

Cap. (Tons)	Product Code	Headroom C (mm)	Headroom C w/Stainless Hook (mm)	b (mm)	b' (mm)	d (mm)	e (mm)	e' (mm)	g (mm)	g w/Stainless Hook (mm)	i (mm)	j (mm)	k (mm)	m (mm)	n (mm)	r (mm)	t (mm)	u (mm)
1/4	NER2M003L-L/S-FG	395	475	315	397	220	515	179	27	31	95	22	130	205	109	51	31	83
1/2	NER2M005L-L/S-FG																	
1	NER2M010L-L/S-FG	435	545	315	397	220	515	179	31	37	95	22	130	205	109	51	31	83
2	NER2M020L-L/S-FG	570	590	325	417	225	520	185	40	44	110	27	125	212	118	60	36	76



NER2M Electric Chain Hoist with Motorized Trolley
Food Grade Model
Specifications and Dimensions

IMPERIAL SPECIFICATIONS - DUAL SPEED HOIST WITH SINGLE SPEED TROLLEY

Cap. (Tons)	Product Code	Std. Lift (ft)	Push Button Cord L (ft)	Lifting Speed (ft/min)	Traversing Speed (ft/min)	Lifting Motor*** 3 Phase 60 Hz			Traversing Motor 3 Phase 60 Hz			Flange Width Adjustability B (in)		Minimum Allow. Radius for curve (in)	Load Chain Diameter (mm) x Chain Fall Lines	Net Weight (lbs)	Weight for Additional One Foot of Lift (lbs)
						Output (Hp)	Rated Current (amps)		Output (Hp)	Rated Current (amps)		Standard	Optional				
							@208 - 230V	@460V		@208 - 230V	@460V						
1/4	NER2M003LD-L/S-FG	10	8.2	15/2.5	L = 40 S = 80	0.75	3.6	1.8	0.54	3.2	1.6	2.28 to 5.00	5.01 to 6.02 OR 6.03 to 12.00	31.5*	6.0 x 1	137	0.54
1/2	NER2M005LD-L/S-FG			14/2.5		1.2	5.1	2.7	0.54	3.2	1.6						
1	NER2M010LD-L/S-FG			14/2.5		2.4	9.1	4.5	0.54	3.2	1.6						

*Flange widths smaller than 4 inches will have a minimum radius of 137.8 inches.
 **Flange widths smaller than 5 inches will have a minimum radius of 39.4 inches.
 *** Although both 208/230 & 460 Volts are shown together, the motors are NOT reconnectable.

IMPERIAL DIMENSIONS - DUAL SPEED HOIST WITH SINGLE SPEED TROLLEY

Cap. (Tons)	Product Code	Headroom C (in)	Headroom C w/Stainless Hook (in)	b (in)	b' (in)	d (in)	e (in)	e' (in)	g (in)	g w/Stainless Hook (in)	i (in)	j (in)	k (in)	m (in)	n (in)	r (in)	t (in)	u (in)
1/4	NER2M003LD-L/S-FG	15.6	18.7	12.4	15.6	8.7	20.3	7.1	1.1	1.2	3.74	0.9	5.1	8.1	4.3	2.0	1.22	3.3
1/2	NER2M005LD-L/S-FG																	
1	NER2M010LD-L/S-FG	17.1	21.5	12.4	15.6	8.7	20.3	7.1	1.2	1.5	3.74	0.9	5.1	8.1	4.3	2.0	1.22	3.3
2	NER2M020LD-L/S-FG	22.4	23.2	12.8	16.4	8.8	20.5	7.3	1.6	1.7	4.33	1.1	4.9	8.3	4.6	2.4	1.42	3.0



NER2M Electric Chain Hoist with Motorized Trolley
Food Grade Model
Specifications and Dimensions

METRIC SPECIFICATIONS - DUAL SPEED HOIST WITH SINGLE SPEED TROLLEY

Cap. (Tons)	Product Code	Std. Lift (m)	Push Button Cord L (m)	Lifting Speed (m/min)	Traversing Speed (m/min)	Lifting Motor*** 3 Phase 60 Hz			Traversing Motor 3 Phase 60 Hz			Flange Width Adjustability B (mm)		Minimum Allow. Radius for curve (mm)	Load Chain Diameter (mm) x Chain Fall Lines	Net Weight (kg)	Weight for Additional One Meter of Lift (kg)
						Output (kW)	Rated Current (amps)		Output (kW)	Rated Current (amps)		Standard	Optional				
							@208 - 230V	@460V		@208 - 230V	@460V						
1/4	NER2M003LD-L/S-FG	3.0	2.5	4.6/0.8	L = 12.2 S = 24.4	0.56	3.6	1.8	0.4	3.2	1.6	58 to 127	128 to 153 OR 154 to 305	800*	6.0 x 1	62	0.81
1/2	NER2M005LD-L/S-FG																
1	NER2M010LD-L/S-FG			4.3/0.7		0.9	5.1	2.7	0.4	3.2	1.6				7.7 x 1	75	1.33
2	NER2M020LD-L/S-FG			4.3/0.7		1.8	9.1	4.5	0.4	3.2	1.6				82 to 153	154 to 178 OR 179 to 305	800**

*Flange widths smaller than 100mm will have a minimum radius of 3500mm.
 **Flange widths smaller than 150mm will have a minimum radius of 1000mm.
 *** Although both 208/230 & 460 Volts are shown together, the motors are NOT reconnectable.

METRIC DIMENSIONS - DUAL SPEED HOIST WITH SINGLE SPEED TROLLEY

Cap. (Tons)	Product Code	Headroom C (mm)	Headroom C w/Stainless Hook (mm)	b (mm)	b' (mm)	d (mm)	e (mm)	e' (mm)	g (mm)	g w/Stainless Hook (mm)	i (mm)	j (mm)	k (mm)	m (mm)	n (mm)	r (mm)	t (mm)	u (mm)
1/4	NER2M003LD-L/S-FG	395	475	315	397	220	515	179	27	31	95	22	130	205	109	51	31	83
1/2	NER2M005LD-L/S-FG																	
1	NER2M010LD-L/S-FG	435	545	315	397	220	515	179	31	37	95	22	130	205	109	51	31	83
2	NER2M020LD-L/S-FG	570	590	325	417	225	520	185	40	44	110	27	125	212	118	60	36	76



NER2M Electric Chain Hoist with Motorized Trolley
Food Grade Model
Specifications and Dimensions

IMPERIAL SPECIFICATIONS - DUAL SPEED HOIST WITH DUAL SPEED TROLLEY

Cap. (Tons)	Product Code	Std. Lift (ft)	Push Button Cord L (ft)	Lifting Speed (ft/min)	Traversing Speed (ft/min)	Lifting Motor*** 3 Phase 60 Hz			Traversing Motor*** 3 Phase 60 Hz			Flange Width Adjustability B (in)		Minimum Allow. Radius for curve (in)	Load Chain Diameter (mm) x Chain Fall Lines	Net Weight (lbs)	Weight for Additional One Foot of Lift (lbs)
						Output (Hp)	Rated Current (amps)		Output (Hp)	Rated Current (amps)		Standard	Optional				
							@208 - 230V	@460V		@208 - 230V	@460V						
1/4	NER2M003LD-SD-FG	10	8.2	15/2.5	80/13	0.75	3.6	1.8	0.54	3.4	1.7	2.28 to 5.00	5.01 to 6.02 OR 6.03 to 12.00	31.5*	6.0 x 1	141	0.54
1/2	NER2M005LD-SD-FG			14/2.5		1.2	5.1	2.7	0.54	3.4	1.7				7.7 x 1	170	0.89
1	NER2M010LD-SD-FG			14/2.5		2.4	9.1	4.5	0.54	3.4	1.7	3.23 to 6.02	6.03 to 7.02 OR 7.03 to 12.00	31.5**	10.2 x 1	247	1.6
2	NER2M020LD-SD-FG																

*Flange widths smaller than 4 inches will have a minimum radius of 137.8 inches.

**Flange widths smaller than 5 inches will have a minimum radius of 39.4 inches.

*** Although both 208/230 & 460 Volts are shown together, the motors are NOT reconnectable.

IMPERIAL DIMENSIONS - DUAL SPEED HOIST WITH DUAL SPEED TROLLEY

Cap. (Tons)	Product Code	Headroom C (in)	Headroom C w/Stainless Hook (mm)	b (in)	b' (in)	d (in)	e (in)	e' (in)	g (in)	g w/Stainless Hook (mm)	i (in)	j (in)	k (in)	m (in)	n (in)	r (in)	t (in)	u (in)
1/4	NER2M003LD-SD-FG	15.6	18.7	12.4	15.6	8.7	20.3	7.1	1.1	1.2	3.74	0.9	5.1	8.1	4.3	2.0	1.22	3.3
1/2	NER2M005LD-SD-FG																	
1	NER2M010LD-SD-FG	17.1	21.5	12.4	15.6	8.7	20.3	7.1	1.2	1.5	3.74	0.9	5.1	8.1	4.3	2.0	1.22	3.3
2	NER2M020LD-SD-FG	22.4	23.2	12.8	16.4	8.8	20.5	7.3	1.6	1.7	4.33	1.1	4.9	8.3	4.6	2.4	1.42	3.0

GENERAL USE
EDOC0775

METRIC SPECIFICATIONS - DUAL SPEED HOIST WITH DUAL SPEED TROLLEY

Cap. (Tons)	Product Code	Std. Lift (m)	Push Button Cord L (m)	Lifting Speed (m/min)	Traversing Speed (m/min)	Lifting Motor*** 3 Phase 60 Hz			Traversing Motor*** 3 Phase 60 Hz			Flange Width Adjustability B (mm)		Minimum Allow. Radius for curve (mm)	Load Chain Diameter (mm) x Chain Fall Lines	Net Weight (kg)	Weight for Additional One Meter of Lift (kg)
						Output (kW)	Rated Current (amps)		Output (kW)	Rated Current (amps)		Standard	Optional				
							@208 - 230V	@460V		@208 - 230V	@460V						
1/4	NER2M003LD-SD-FG	3.0	2.5	4.6/0.8	24.4/4.0	0.56	3.6	1.8	0.4	3.4	1.7	58 to 127	128 to 153 OR 154 to 305	800*	6.0 x 1	64	0.81
1/2	NER2M005LD-SD-FG			4.3/0.7		0.9	5.1	2.7	0.4	3.4	1.7				7.7 x 1	77	1.33
1	NER2M010LD-SD-FG			4.3/0.7		1.8	9.1	4.5	0.4	3.4	1.7	82 to 153	154 to 178 OR 179 to 305	800**	10.2 x 1	112	2.3

*Flange widths smaller than 100mm will have a minimum radius of 3500mm.

**Flange widths smaller than 150mm will have a minimum radius of 1000mm.

*** Although both 208/230 & 460 Volts are shown together, the motors are NOT reconnectable.

METRIC DIMENSIONS - DUAL SPEED HOIST WITH DUAL SPEED TROLLEY

Cap. (Tons)	Product Code	Headroom C (mm)	Headroom C w/Stainless Hook (mm)	b (mm)	b' (mm)	d (mm)	e (mm)	e' (mm)	g (mm)	g w/Stainless Hook (mm)	i (mm)	j (mm)	k (mm)	m (mm)	n (mm)	r (mm)	t (mm)	u (mm)
1/4	NER2M003LD-SD-FG	395	475	315	397	220	515	179	27	31	95	22	130	205	109	51	31	83
1/2	NER2M005LD-SD-FG																	
1	NER2M010LD-SD-FG	435	545	315	397	220	515	179	31	37	95	22	130	205	109	51	31	83
2	NER2M020LD-SD-FG	570	590	325	417	225	520	185	40	44	110	27	125	212	118	60	36	76

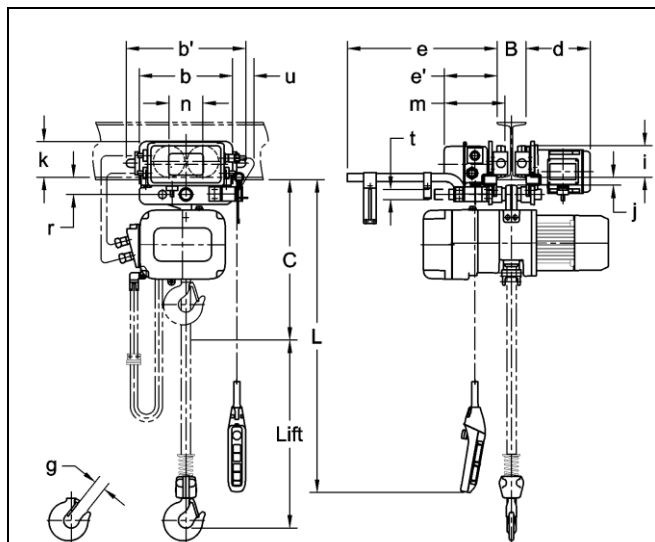


Figure 1 - NER2M020L-L-FG

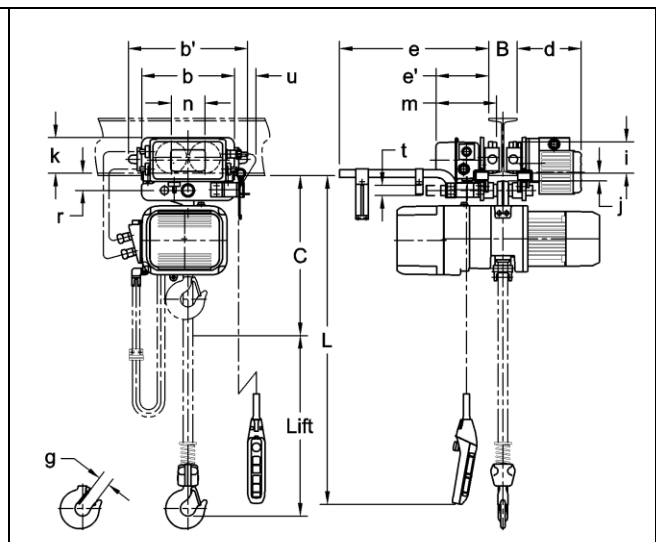


Figure 2 - NER2M020LD-SD-FG

END