



NER2 Electric Chain Hoist Food Grade Model Specifications and Dimensions

Purpose: To provide dimension and specification information for hook mount, single and dual speed food grade NER2 model electric chain hoist.

SINGLE SPEED IMPERIAL SPECIFICATIONS:

Cap. (Tons)	Product Code	Standard Lift (ft)	Push Button Cord L (ft)	Lifting Speed (ft/min)	Lifting Motor 3 Phase 60 Hz			Load Chain Diameter (mm) x Chain Fall Lines	Net Weight (lbs)	Weight for Additional One Foot of Lift (lbs)
					Output (Hp)	Rated Current (amps)				
						@208 - 230V	@460V			
1/4	NER2003L-FG	10	8.2	15	0.75	3.4	1.7	6.0 x 1	71	0.54
1/2	NER2005L-FG									
1	NER2010L-FG			14	1.2	4.8	2.5	7.7 x 1	104	0.89
2	NER2020L-FG				2.4	8.6	4.2	10.2 x 1	161	1.6

SINGLE SPEED IMPERIAL DIMENSIONS:

Cap. (Tons)	Product Code	Headroom C (in)	Headroom C w/Stainless Hook (in)	a (in)	b (in)	d (in)	e (in)	g (in)	g w/Stainless Hook (in)	h (in)	i (in)
1/4	NER2003L-FG	14.6	17.7	20.2	13.7	9.5	10.6	1.1	1.2	4.4	4.2
1/2	NER2005L-FG										
1	NER2010L-FG	16.9	21.3	23.2	14.8	11.4	11.7	1.2	1.5	5.1	4.6
2	NER2020L-FG	22.6	23.4	25.4	16.8	12.1	13.3	1.6	1.7	6.3	5.4

SINGLE SPEED METRIC SPECIFICATIONS:

Cap. (Tons)	Product Code	Standard Lift (m)	Push Button Cord L (m)	Lifting Speed (m/min)	Lifting Motor 3 Phase 60 Hz			Load Chain Diameter (mm) x Chain Fall Lines	Net Weight (kg)	Weight for Additional One Meter of Lift (kg)
					Output (kW)	Rated Current (amps)				
						@208 - 230V	@460V			
1/4	NER2003L-FG	3.0	2.5	4.6	0.56	3.4	1.7	6.0 x 1	32	0.81
1/2	NER2005L-FG									
1	NER2010L-FG			4.3	0.9	4.8	2.5	7.7 x 1	47	1.33
2	NER2020L-FG				1.8	8.6	4.2	10.2 x 1	73	2.3

SINGLE SPEED METRIC DIMENSIONS:

Cap. (Tons)	Product Code	Headroom C (mm)	Headroom C w/Stainless Hook (mm)	a (mm)	b (mm)	d (mm)	e (mm)	g (mm)	g w/Stainless Hook (mm)	h (mm)	i (mm)
1/4	NER2003L-FG	370	450	513	348	242	270	27	31	113	106
1/2	NER2005L-FG										
1	NER2010L-FG	430	540	589	376	291	298	31	37	129	118
2	NER2020L-FG	575	595	646	427	308	338	40	44	161	138

DUAL SPEED IMPERIAL SPECIFICATIONS:

Cap. (Tons)	Product Code	Stand ard Lift (ft)	Push Button Cord L (ft)	Lifting Speed (ft/min)	Lifting Motor 3 Phase 60 Hz*			Load Chain Diameter (mm) x Chain Fall Lines	Net Weight (lbs)	Weight for Additional One Foot of Lift (lbs)
					Output (Hp)	Rated Current (amps)				
						@208 - 230V	@460V			
1/4	NER2003LD-FG	10	8.2	15/2.5	0.75	3.6	1.8	6.0 x 1	68	0.54
1/2	NER2005LD-FG			14/2.5	1.2	5.1	2.7	7.7 x 1	99	0.89
1	NER2010LD-FG			2.4	9.1	4.5	10.2 x 1	161	1.6	
2	NER2020LD-FG									

*Although both 208/230 & 460 Volts are shown together, the motors are NOT reconnectable.

DUAL SPEED IMPERIAL DIMENSIONS:

Cap. (Tons)	Product Code	Headroom C (in)	Headroom C w/Stainless Hook (in)	a (in)	b (in)	d (in)	e (in)	g (in)	g w/Stainless Hook (in)	h (in)	i (in)
1/4	NER2003LD-FG	14.6	17.7	22.4	13.7	11.8	10.6	1.1	1.2	4.4	4.2
1/2	NER2005LD-FG										
1	NER2010LD-FG	16.9	21.3	24.1	14.8	12.4	11.7	1.2	1.5	5.1	4.6
2	NER2020LD-FG	22.6	23.4	27.9	16.8	14.6	13.3	1.6	1.7	6.3	5.4

DUAL SPEED METRIC SPECIFICATIONS:

Cap. (Tons)	Product Code	Standard Lift (m)	Push Button Cord L (m)	Lifting Speed (m/min)	Lifting Motor 3 Phase 60 Hz*			Load Chain Diameter (mm) x Chain Fall Lines	Net Weight (kg)	Weight for Additional One Meter of Lift (kg)
					Output (kW)	Rated Current (amps)				
						@208 - 230V	@460V			
1/4	NER2003LD-FG	3.0	2.5	4.6/8	0.56	3.6	1.8	6.0 x 1	31	0.81
1/2	NER2005LD-FG			4.3/7	0.9	5.1	2.7	7.7 x 1	45	1.33
1	NER2010LD-FG			1.8	9.1	4.5	10.2 x 1	73	2.3	
2	NER2020LD-FG									

*Although both 208/230 & 460 Volts are shown together, the motors are NOT reconnectable.

DUAL SPEED METRIC DIMENSIONS:

Cap. (Tons)	Product Code	Headroom C (mm)	Headroom C w/Stainless Hook (mm)	a (mm)	b (mm)	d (mm)	e (mm)	g (mm)	g w/Stainless Hook (mm)	h (mm)	i (mm)
1/4	NER2003LD-FG	370	450	570	348	300	270	27	31	113	106
1/2	NER2005LD-FG										
1	NER2010LD-FG	430	540	613	376	316	298	31	37	129	118
2	NER2020LD-FG	575	595	709	427	372	338	40	44	161	138

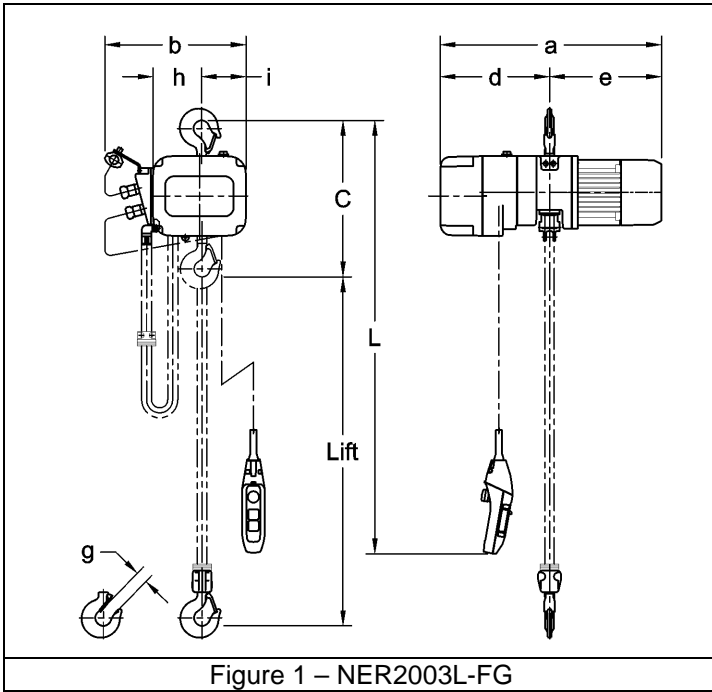


Figure 1 – NER2003L-FG

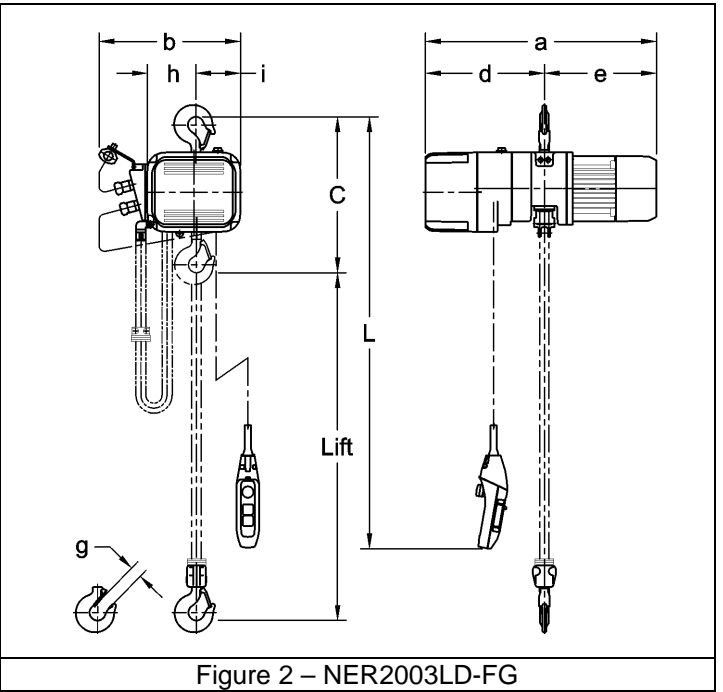


Figure 2 – NER2003LD-FG