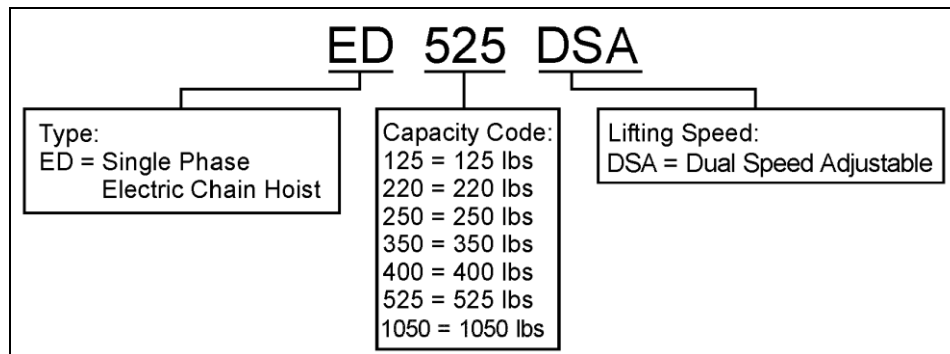


**Purpose:** To provide product information for the ED3A Dual Speed, Dual Adjustable accessory pendant. This OWNER'S MANUAL SUPPLEMENT is intended for use *in combination* with the "Owner's Manual for Electric Chain Hoist ED Series – 125 through 525 lb Capacity" and "Owner's Manual Supplement for Electric Chain Hoist ED1050 – 1050 lb Capacity".

## 1. Specifications

Product Code and Capacities



## 2. Installation Procedure

**Remove the hoist control cover:** After verifying the hoist is unplugged, remove the four mounting screws that attach the control cover to the hoist body. Remove the cover from the hoist, being careful not to damage the controller cover gasket.

**Remove the existing pendant:** Remove the three machine screws and washers attaching the pendant cable to the underside of the hoist. Decouple the pendant conductors from the hoist wiring. Pull the conductors through the mounting hole on the underside of the hoist and remove the entire original pendant assembly.

**Install the new pendant:** Feed the conductors in the DSA pendant cable through the pendant mounting hole. Attach the DSA pendant cable to the hoist body using the cable holder and three machine screws. Connect the six pendant conductor wires to the hoist wiring according to the appropriate hoist wiring diagram (drawing 71662 is for 125 lbs, 220 lbs, 250 lbs & 400 lbs units, and drawing 71663 is for 350 lbs, 525 lbs & 1050 lbs units).

**Reinstall control cover:** Using the 4 mounting screws, reattach the control cover to the hoist body.

### 3. Wiring Diagrams

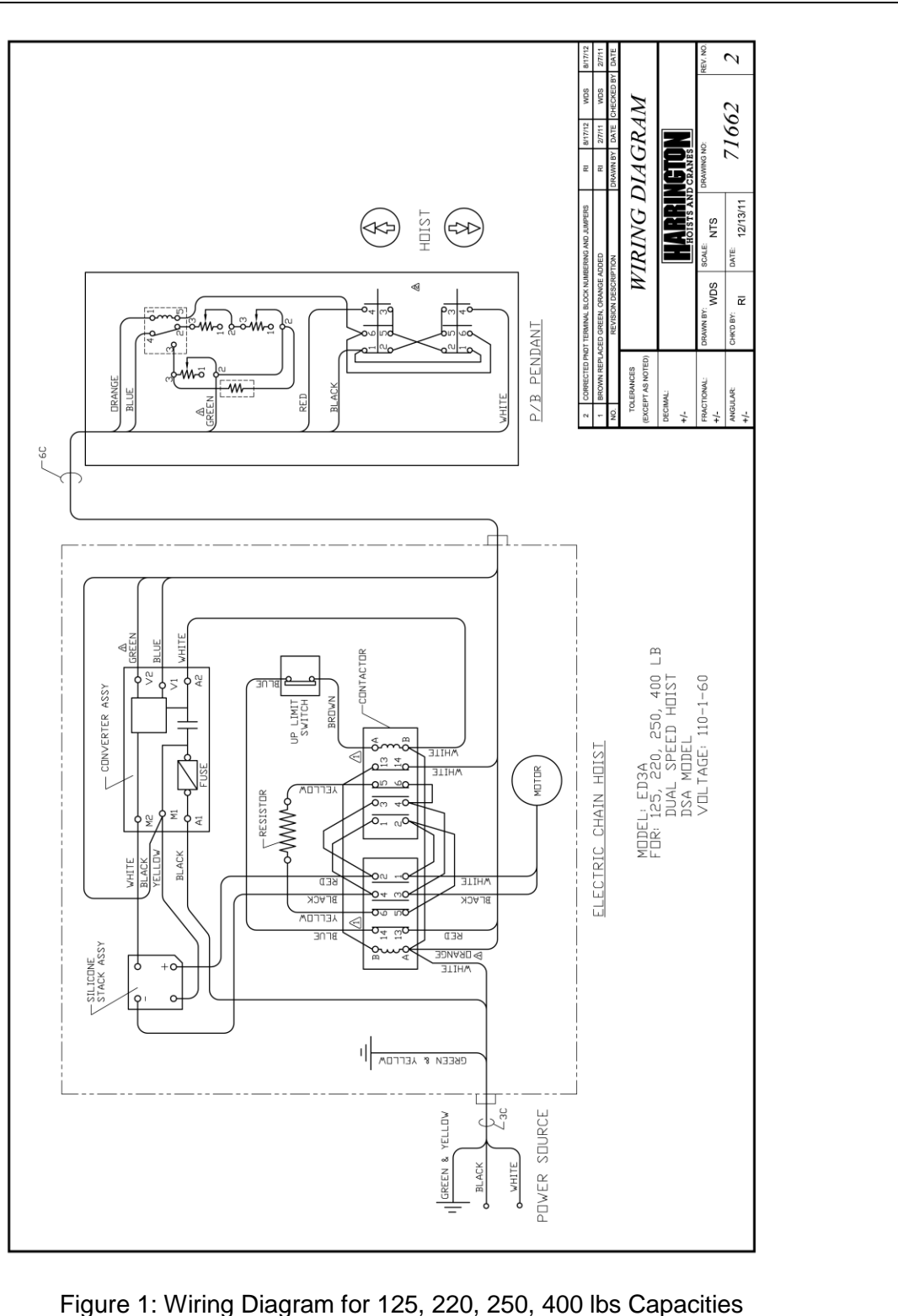


Figure 1: Wiring Diagram for 125, 220, 250, 400 lbs Capacities

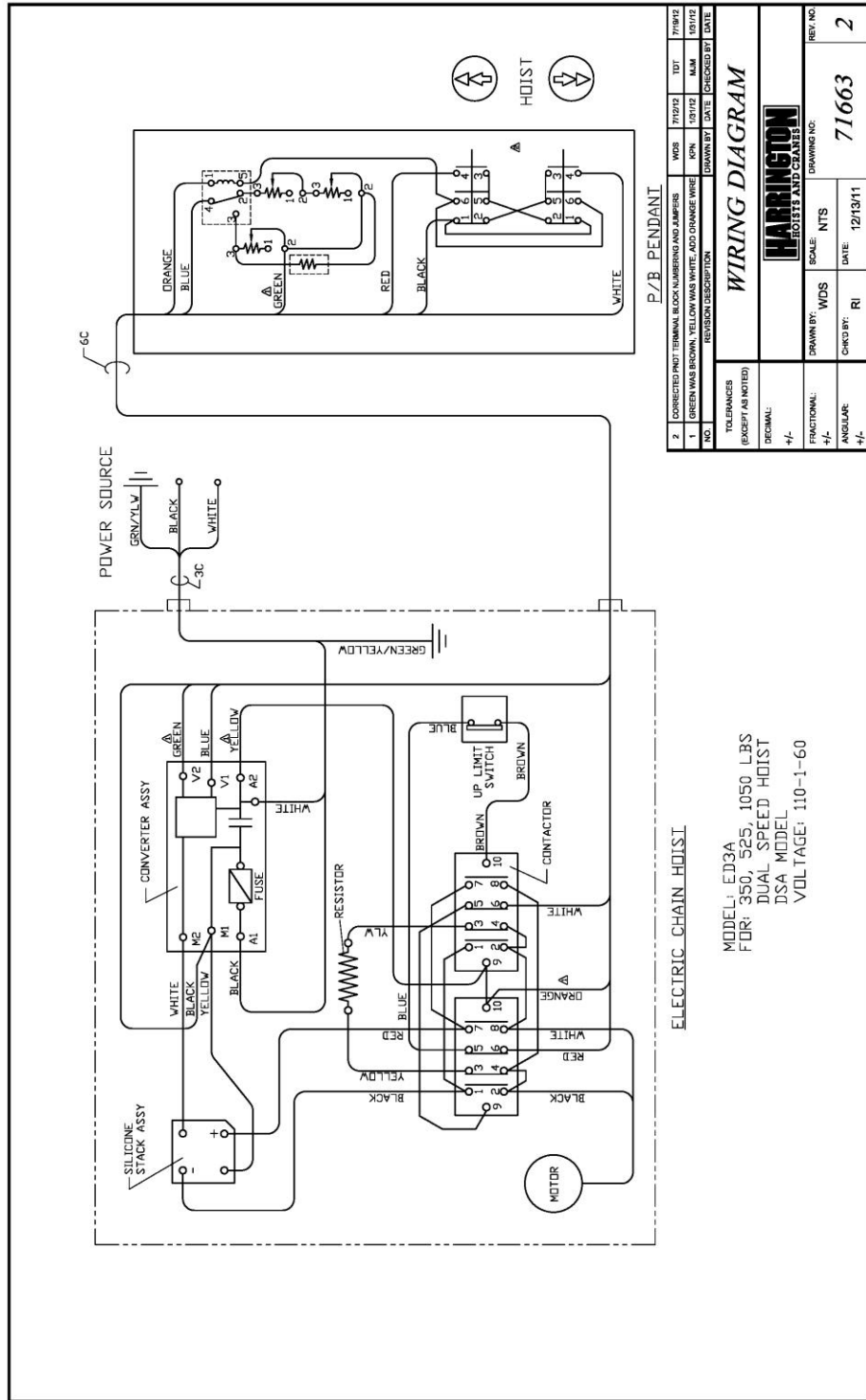


Figure 2: Wiring Diagram for 350, 525, 1050 lbs Capacities

#### 4. Initial Adjustment

Instructions for the operation of the hoist are found in “**Owner’s Manual for Electric Chain Hoist ED Series – 125 through 525 lb Capacity**” and “**Owner’s Manual Supplement for Electric Chain Hoist ED1050 – 1050 lb Capacity**”.

**⚠ WARNING**: It is possible to set the high speed control at a speed lower than the low speed. This can cause high speed operation when the operator has depressed the pendant button to low speed, and low speed operation when the operator has depressed the pendant button to high speed. To avoid this, be sure to adjust low and high speed after initial adjustment.

**⚠ WARNING**: When the hoist is energized, wires and components in the pushbutton pendant are electrically charged and pose an electrical hazard. To avoid this hazard do not contact any wires or components, and use a screwdriver to make adjustments. Do not contact the live circuit while adjusting the potentiometer to avoid the risk of electrical shocks.

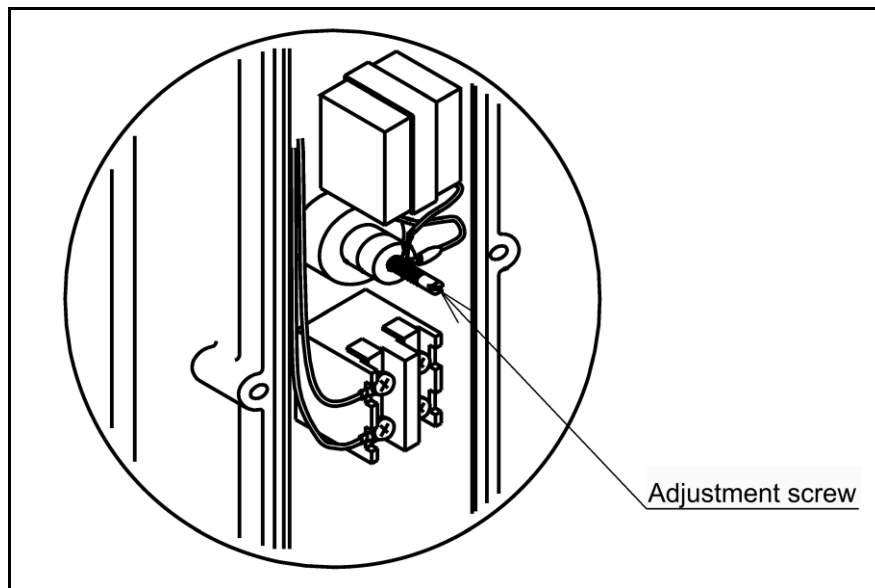


Figure 3: Internal View of the Pendant

Low-Speed on ED-Infinity pendant is not set at the factory. If the low-speed of the hoist is set too slow or too fast, adjust the low-speed with following instructions. Be sure to perform the adjustment under no load, and with the low-speed dial set to the slowest speed (turn the low-speed adjustment dial to the left-most position).

1. Remove the screws and open the back cover of the ED-Infinity pendant.

2. While operating the hoist at low-speed (pressing down the push button to the low-speed position), adjust the potentiometer inside the pendant by turning its adjustment screw. Adjust the potentiometer until the hoist operates as slow as possible at the low-speed.
3. Close the back cover of the pendant and reinstall the screws.

## **5. Setting Low and High Speeds**

To set the low speed: Verify that the area below and surrounding the hoist is free from potential obstructions, there is no load on the hook, and the hook is in the top position. Press the “DOWN” button on the pendant with enough force to move the hook, but not engage the high speed. Observe the speed, and adjust the knob labeled “LOW” under the pendant control cover higher or lower according to preference.

To set the high speed: Verify that the area below and surrounding the hoist is free from potential obstructions, there is no load on the hook, and the hook is in the top position. Press the “DOWN” button on the pendant firmly enough to pass the low speed and engage the high speed function. Observe the speed, and adjust the knob labeled “HIGH” under the pendant control cover higher or lower according to preference.

## 6. Parts List

Table 4: Pendant Diagram and Parts List

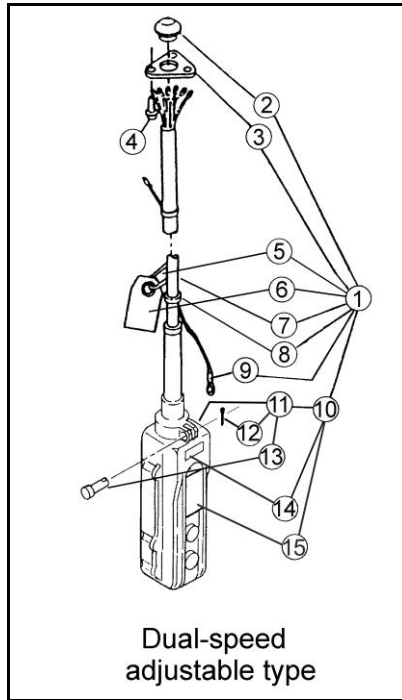


Fig. No.	Part Name	Parts Per Hoist	Capacity (lbs.)						
			125	220	250	400	350	525	1050
1	Push Button Cord 6C Complete Set	1	7033699				7033799		
2	Cable Packing C12	1	E2D525125						
3	Cable Holder C	1	E2D537125						
7	Push Button Cord 6C	FT	16/6P						
10	Push Button Switch DSA Assembly	1	E1DBX10K16152H						
11	Push Button Switch DSA Body	1	E1DBX10K16152						
12	Split Pin	1	9009402						
13	Cord Chain Pin	1	ES628003						
14	Logo Sticker	1	8039301						
15	Control Plate	1	80382						
8	Lock-Belt	3	E2D640125						
9	Fixing Sleeve	1	9012301						
4	Machine Screw w/ Spring Washer	3	MS554010						
5	Chain Stopper Link	1	E2D045D125						
6	Warning Tag LD	1	E2D931125						