

PURPOSE

To provide dimension information for the universal beam clamp product line.

SCOPE

5 Models: 1, 2, 3, 5, and 10 ton capacities.

Universal Beam Clamp – Imperial Dimensions

| Capacity (t) | Product Code | Flange Range D (in) | Max. Beam Flange Thickness (in) | Max. E (in) | F (in) | G (in) | H (in) | J (in) | Large Suspender Option | | | | Net Weight (lbs)* | Shipping Weight Approx. (lbs)* |
|--------------|--------------|---------------------|---------------------------------|-------------|--------|--------|--------|--------|------------------------|--------|--------|--------|-------------------|--------------------------------|
| | | | | | | | | | A (in) | B (in) | C (in) | T (in) | | |
| 1 | UBC010 | 3.00 to 7.50 | 0.83 | 12.25 | 3.00 | 9.25 | 0.88 | 2.10 | 0.75 | 2.00 | 2.00 | 0.63 | 8 | 10 |
| 2 | UBC020 | | | | | | | | | | | | 9 | 11 |
| 3 | UBC030 | 4.00 to 12.00 | 1.00 | 19.75 | 4.25 | 11.0 | 1.25 | 2.38 | 1.00 | 2.50 | 2.50 | 1.00 | 19 | 22 |
| 5 | UBC050 | | | | | | | | | | | | 22 | 25 |
| 10 | UBC100 | 6.00 to 13.25 | 1.75 | 22.50 | 6.00 | 14.63 | 1.75 | 4.65 | 1.38 | 3.75 | 6.25 | 1.25 | 55 | 60 |

Universal Beam Clamp – Metric Dimensions

| Capacity (t) | Product Code | Flange Range D (mm) | Max. Beam Flange Thickness (mm) | Max. E (mm) | F (mm) | G (mm) | H (mm) | J (mm) | Large Suspender Option | | | | Net Weight (kg)* | Shipping Weight Approx. (kg)* |
|--------------|--------------|---------------------|---------------------------------|-------------|--------|--------|--------|--------|------------------------|--------|--------|--------|------------------|-------------------------------|
| | | | | | | | | | A (mm) | B (mm) | C (mm) | T (mm) | | |
| 1 | UBC010 | 76 to 191 | 21 | 311 | 76 | 235 | 22 | 53 | 19 | 51 | 51 | 16 | 3.6 | 4.5 |
| 2 | UBC020 | | | | | | | | | | | | 4.1 | 5.0 |
| 3 | UBC030 | 102 to 305 | 25 | 502 | 108 | 279 | 32 | 61 | 25 | 64 | 64 | 25 | 8.6 | 10.0 |
| 5 | UBC050 | | | | | | | | | | | | 10.0 | 11.3 |
| 10 | UBC100 | 153 to 337 | 45 | 572 | 152 | 372 | 45 | 118 | 35 | 95 | 159 | 32 | 24.9 | 27.2 |

*The weights listed are for standard universal beam clamps without large suspenders.

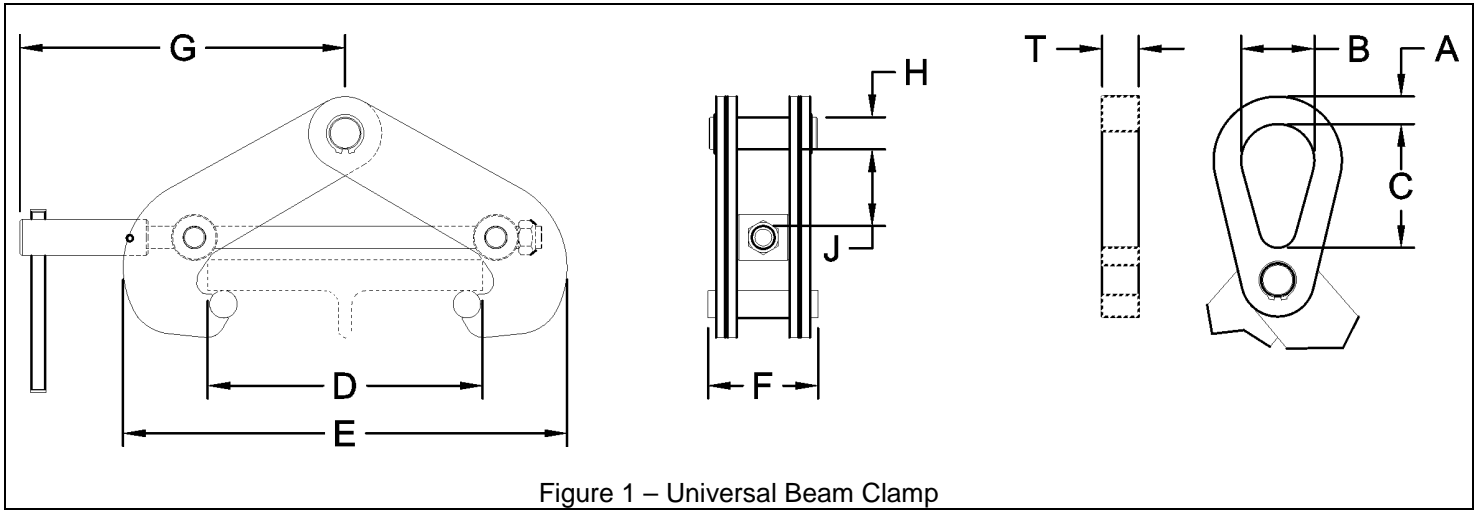


Figure 1 – Universal Beam Clamp

END