

Contents:

Section	Page
1) Purpose.....	1
2) Definitions and Notes.....	2
3) Container Assembly Numbers, Sizes, Weights and Hang Dimension.....	3
4) Container Dimension.....	12
5) Assembly Drawing Numbers.....	13

1) Purpose

This document provides information internal to Harrington for the selection of Steel Chain Container Part Assemblies. Steel Chain Container Assemblies are available for the following hoists:

- (N)ER2 001H – through - 200S
- (N)ER2M 001H – through - 200S
- (N)ER2P 001H – through - 200S
- (N)ER2G 001H – through - 200S

Information Provided:

- Container Assembly Part Number
- Maximum Lifts
- Weight
- Hang Dimension
- Physical Size of Chain Container

2) Definitions and Notes

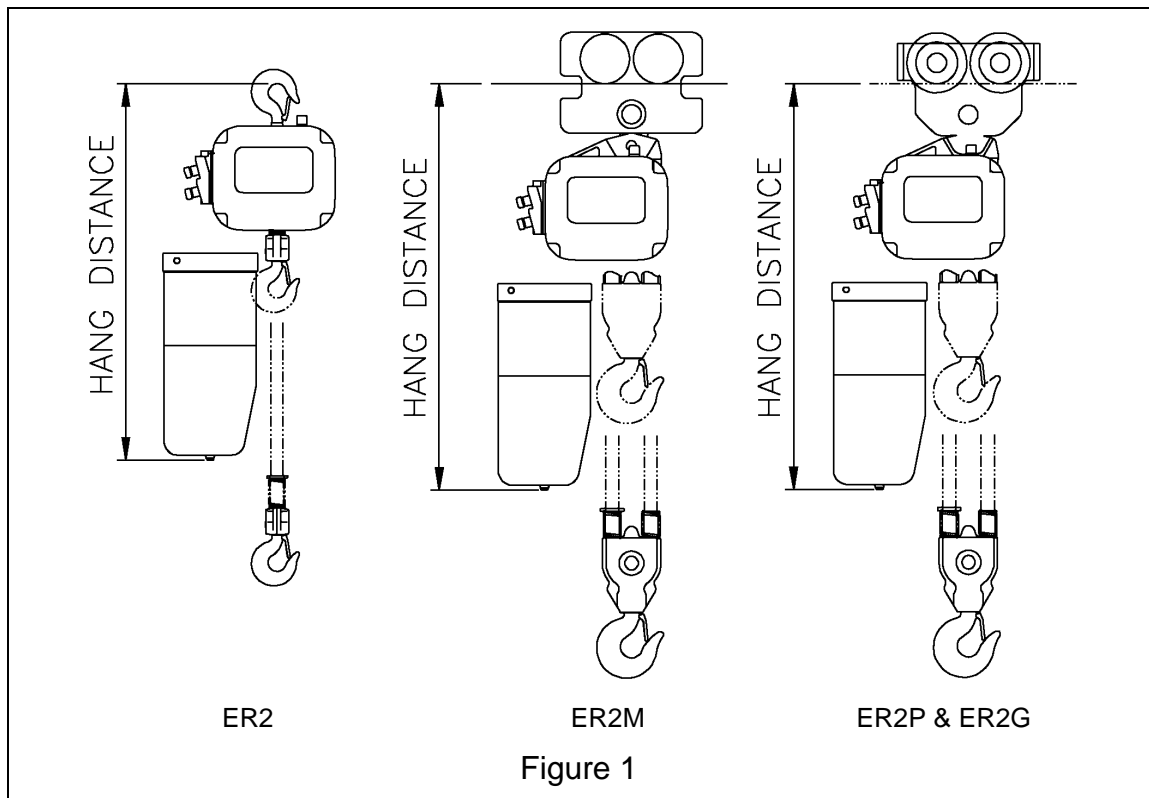
1. Steel Chain Container Assembly = Chain Container(s), Hangers, includes Hook or Chain Container Trolley if required.
2. Part numbers for Steel Chain Container Assemblies begin with "SC2" followed by 3 digits "XXX".
3. Per capacity code (EX. 005S) the kits are the same for ER2 and NER2.
4. Weights refer to SCC kit weight only and do not include chain. For total system weight add steel chain container kit weight to hoist net weight plus additional feet of lift chain weight.

Hoist (Including Trolley) Net Weight + Weight For Additional Feet Of Lift + Steel Chain Container Kit Weight = Total System Weight

Example:

ER2M050L-L/S	439 lb
41 feet of Lift (total) (41-10standard lift) 31ft x 3.8 lb	117.8 lb
Steel Chain Container SC2076	39.2 lb
<hr/>	
Total System Weight	596 lb

5. Hang Dimension is the distance from the bottom of the chain container to the saddle of the top hook or the where the trolley wheels rest on the beam. Refer to Figure 1 below for an illustration showing the hang dimension.



3) Container Assembly Numbers, Sizes, Weights and Hang Dimension

Hoist Capacity Code	Cont. Size	Lift		(N)ER2 SCC	(N)ER2M SCC	(N)ER2P/G SCC
		feet	meters	Weight (lbs) Hang Dim. (in)	Weight (lbs) Hang Dim. (in)	Weight (lbs) Hang Dim. (in)
001H 003S	AH	49	15	SC2001 9.1 lbs 25.6 in	SC2001 9.1 lbs 25.6 in	SC2001 9.1 lbs 28.5 in
	A	88	27	SC2010 19.6 lbs 28.0 in	SC2046 32.4 lbs 29.1 in	SC2081 32.4 lbs 28.7 in
	B	141	43	SC2011 20.7 lbs 29.5 in	SC2047 33.5 lbs 30.7 in	SC2082 33.5 lbs 30.3 in
	C	196	60	SC2012 22.0 lbs 31.9 in	SC2048 34.8 lbs 33.1 in	SC2083 34.8 lbs 32.7 in
	D	249	76	SC2013 22.9 lbs 32.7 in	SC2049 35.7 lbs 33.9 in	SC2084 35.7 lbs 33.5 in
003H 005L 005S	AH	23	7	SC2002 9.1 lbs 26.4 in	SC2002 9.1 lbs 26.4 in	SC2002 9.1 lbs 29.5 in
	BH	49	15	SC2003 10.3 lbs 29.1 in	SC2003 10.3 lbs 28.7 in	SC2003 10.3 lbs 31.9 in
	B	78	24	SC2014 20.7 lbs 30.3 in	SC2050 33.5 lbs 31.1 in	SC2085 33.5 lbs 31.1 in
	C	108	33	SC2015 22.0 lbs 32.7 in	SC2051 34.8 lbs 33.5 in	SC2086 34.8 lbs 33.5 in
	D	137	42	SC2016 22.9 lbs 33.5 in	SC2052 35.7 lbs 34.3 in	SC2087 35.7 lbs 34.3 in
	E	183	56	SC2017 23.4 lbs 33.9 in	SC2053 36.2 lbs 34.6 in	SC2088 36.2 lbs 34.6 in
	F	252	77	SC2018 24.3 lbs 35.8 in	SC2054 37.0 lbs 36.6 in	SC2089 37.0 lbs 36.6 in

Hoist Capacity Code	Cont. Size	Lift		(N)ER2 SCC Weight (lbs) Hang Dim. (in)	(N)ER2M SCC Weight (lbs) Hang Dim. (in)	(N)ER2P/G SCC Weight (lbs) Hang Dim. (in)
		feet	meters			
010L 010S	BH	26	8	SC2004 10.3 lbs 30.7 in	SC2004 10.3 lbs 29.9 in	SC2004 10.3 lbs 32.7 in
	DH	49	15	SC2005 12.5 lbs 33.1 in	SC2005 12.5 lbs 32.3 in	SC2005 12.5 lbs 35.4 in
	D	72	22	SC2019 23.4 lbs 35.0 in	SC2055 35.7 lbs 35.0 in	SC2090 35.7 lbs 35.4 in
	E	98	30	SC2020 23.8 lbs 35.4 in	SC2056 36.2 lbs 35.8 in	SC2091 36.2 lbs 35.8 in
	F	134	41	SC2021 25.4 lbs 37.4 in	SC2057 37.7 lbs 37.8 in	SC2092 37.7 lbs 37.8 in
	G	170	52	SC2022 26.9 lbs 39.4 in	SC2058 39.2 lbs 39.8 in	SC2093 39.2 lbs 39.8 in
	H	216	66	SC2023 29.8 lbs 42.1 in	SC2059 42.1 lbs 42.5 in	SC2094 42.1 lbs 42.5 in
020C	BH	13	4	SC2004 10.3lbs 32.3 in	SC2004 10.3lbs 32.3 in	SC2004 10.3lbs 32.1 in
	DH	24	7.5	SC2005 12.5 lbs 34.6 in	SC2005 12.5 lbs 34.6 in	SC2005 12.5 lbs 34.4 in
	D	36	11	SC2179 23.4 lbs 38.0 in	SC2174 35.7 lbs 37.6 in	SC2184 35.7 lbs 37.8 in
	E	49	15	SC2180 23.8 lbs 38.4 in	SC2175 36.2 lbs 38.0 in	SC2185 36.2 lbs 38.2 in
	F	67	20.5	SC2181 25.4 lbs 40.4 in	SC2176 37.7lbs 40.0 in	SC2186 37.7 lbs 40.2 in
	G	85	26	SC2182 26.9 lbs 42.3 in	SC2177 39.2 lbs 41.9 in	SC2187 39.2 lbs 42.5 in
	H	108	33	SC2183 29.8 lbs 45.1 in	SC2178 42.1 lbs 44.7 in	SC2188 42.1 lbs 44.9 in

Hoist Capacity Code	Cont. Size	Lift		(N)ER2 SCC Weight (lbs) Hang Dim. (in)	(N)ER2M SCC Weight (lbs) Hang Dim. (in)	(N)ER2P/G SCC Weight (lbs) Hang Dim. (in)
		feet	meters			
015S 020L 020S	CH	20	6	SC2006 13.9 lbs 34.3 in	SC2006 13.9 lbs 32.7 in	SC2006 13.9 lbs 36.6 in
	EH	39	12	SC2007 18.2 lbs 38.2 in	SC2007 18.2 lbs 36.6 in	SC2007 18.2 lbs 40.9 in
	E	59	18	SC2024 24.0 lbs 38.2 in	SC2060 36.2 lbs 38.2 in	SC2095 36.2 lbs 38.6 in
	F	78	24	SC2025 25.6 lbs 40.2 in	SC2061 37.7 lbs 40.6 in	SC2096 37.7 lbs 40.6 in
	G	98	30	SC2026 27.1 lbs 42.1 in	SC2062 39.2 lbs 42.5 in	SC2097 39.2 lbs 42.5 in
	H	124	38	SC2027 30.0 lbs 44.9 in	SC2063 42.1 lbs 45.3 in	SC2098 42.1 lbs 45.3 in
	I	157	48	SC2028 34.0 lbs 45.7 in	SC2064 45.6 lbs 45.7 in	SC2099 45.6 lbs 45.7 in
	J	196	60	SC2029 36.2 lbs 48.0 in	SC2065 47.8 lbs 48.0 in	SC2100 47.8 lbs 48.0 in
	K	252	77	SC2030 38.8 lbs 50.8 in	SC2066 50.5 lbs 50.8 in	SC2101 50.5 lbs 50.8 in

Hoist Capacity Code	Cont. Size	Lift		(N)ER2 SCC Weight (lbs) Hang Dim. (in)	(N)ER2M SCC Weight (lbs) Hang Dim. (in)	(N)ER2P/G SCC Weight (lbs) Hang Dim. (in)
		feet	meters			
025S	DH	20	6	SC2008 15.8 lbs 37.8 in	SC2008 15.8 lbs 37.0 in	SC2008 15.8 lbs 40.6 in
	FH	39	12	SC2009 19.3 lbs 41.7 in	SC2009 19.3 lbs 40.6 in	SC2009 19.3 lbs 44.1 in
	E	49	15	SC2039 24.0 lbs 39.8 in	SC2067 36.2 lbs 40.2 in	SC2109 36.2 lbs 40.2 in
	F	65	20	SC2040 25.6 lbs 41.7 in	SC2068 37.7 lbs 42.1 in	SC2110 37.7 lbs 42.1 in
	G	82	25	SC2041 27.1 lbs 43.7 in	SC2069 39.2 lbs 44.1 in	SC2111 39.2 lbs 44.1 in
	H	105	32	SC2042 30.0 lbs 46.5 in	SC2070 42.1 lbs 46.9 in	SC2112 42.1 lbs 46.9 in
	I	131	40	SC2043 34.0 lbs 47.2 in	SC2071 45.6 lbs 47.2 in	SC2113 45.6 lbs 47.2 in
	J	164	50	SC2044 36.2 lbs 49.6 in	SC2072 47.8 lbs 49.6 in	SC2114 47.8 lbs 49.6 in
	K	210	64	SC2045 38.8 lbs 52.4 in	SC2073 50.5 lbs 52.4 in	SC2115 50.5 lbs 52.4 in
030C	CH	10	3	SC2006 13.9 lbs 38.2 in	SC2006 13.9 lbs 35.4 in	SC2006 13.9 lbs 38.2 in
	EH	20	6	SC2007 18.2 lbs 42.1 in	SC2007 18.2 lbs 39.4 in	SC2007 18.2 lbs 42.5 in
	E	29	9	SC2031 24.0 lbs 41.3 in	SC2130 36.2 lbs 40.9 in	SC2102 36.2 lbs 40.9 in
	F	39	12	SC2032 25.6 lbs 43.3 in	SC2131 37.7 lbs 42.9 in	SC2103 37.7 lbs 42.9 in
	G	49	15	SC2033 27.1 lbs 45.3 in	SC2132 39.2 lbs 44.9 in	SC2104 39.2 lbs 44.9 in
	H	62	19	SC2034 30.0 lbs 48.0 in	SC2133 42.1 lbs 47.6 in	SC2105 42.1 lbs 47.6 in
	I	78	24	SC2035 34.0 lbs 48.8 in	SC2134 45.6 lbs 48.4 in	SC2106 45.6 lbs 48.4 in
	J	98	30	SC2036 36.2 lbs 51.2 in	SC2135 47.8 lbs 50.8 in	SC2107 47.8 lbs 50.8 in
	K	126	38.5	SC2037 38.8 lbs 53.9 in	SC2136 50.5 lbs 53.5 in	SC2108 50.5 lbs 53.5 in

GENERAL USE
EDOC0444

Hoist Capacity Code	Cont. Size	Lift		(N)ER1 SCC Weight (lbs) Hang Dim. (in)	(N)ER1M SCC Weight (lbs) Hang Dim. (in)	(N)ER1P/G SCC Weight (lbs) Hang Dim. (in)
		feet	Meters			
030L	CH	16	5	SC007 20.4 lbs 39.4 in	SC007 34.9 lbs 39.3 in	SC007 35.2 lbs 39.4 in
	DH	23	7	SC008 22.8 lbs 40.2 in	SC008 37.3 lbs 40.1 in	SC008 37.6 lbs 40.2 in
	E	39	12	SC110 27.4 lbs 40.6 in	SC131 41.9 lbs 40.4 in	SC132 42.2 lbs 40.6 in
	F	49	15	SC134 28.3 lbs 42.6 in	SC135 42.8 lbs 42.4 in	SC136 43.1 lbs 42.6 in
	G	62	19	SC118 29.9 lbs 44.6 in	SC139 44.3 lbs 44.4 in	SC140 44.7 lbs 44.5 in
	H	82	25	SC122 33.8 lbs 47.3 in	SC143 48.3 lbs 47.1 in	SC144 48.6 lbs 47.3 in
	I	105	32	SC146 44.2 lbs 48.2 in	SC147 58.7 lbs 48.0 in	SC148 59.0 lbs 48.2 in
	J	131	40	SC150 46.4 lbs 50.6 in	SC151 60.9 lbs 50.4 in	SC152 61.2 lbs 50.5 in
	K	164	50	SC202 50.6 lbs 53.3 in	SC203 65.1 lbs 53.1 in	SC204 65.4 lbs 53.3 in

Hoist Capacity Code	Cont. Size	Lift		(N)ER2 SCC Weight (lbs) Hang Dim. (in)	(N)ER2M SCC Weight (lbs) Hang Dim. (in)	(N)ER2P/G SCC Weight (lbs) Hang Dim. (in)
		feet	meters			
050L	DH	10	3	SC2008 15.8 lbs 42.1 in	SC2008 15.8 lbs 40.6 in	SC2008 15.8 lbs 42.1 in
	FH	20	6	SC2009 19.3 lbs 45.7 in	SC2009 19.3 lbs 43.7 in	SC2009 19.3 lbs 45.7 in
	E	24	7.5	SC2123 24.0 lbs 43.3 in	SC2074 36.2 lbs 43.3 in	SC2116 36.2 lbs 43.3 in
	F	32	10	SC2124 25.6 lbs 45.3 in	SC2075 37.7 lbs 45.3 in	SC2117 37.7 lbs 45.7 in
	G	41	12.5	SC2125 27.1 lbs 47.2 in	SC2076 39.2 lbs 47.2 in	SC2118 39.2 lbs 47.6 in
	H	52	16	SC2126 30.0 lbs 50.0 in	SC2077 42.1 lbs 50.0 in	SC2119 42.1 lbs 50.0 in
	I	65	20	SC2127 34.0 lbs 50.4 in	SC2078 45.6 lbs 51.2 in	SC2120 45.6 lbs 51.2 in
	J	82	25	SC2128 36.2 lbs 52.8 in	SC2079 47.8 lbs 53.5 in	SC2121 47.8 lbs 53.5 in
	K	105	32	SC2129 38.8 lbs 55.5 in	SC2080 50.5 lbs 56.3 in	SC2122 50.5 lbs 56.3 in

Hoist Capacity Code	Cont. Size	Lift		*(N)ER2 LUG-MT SCC Weight (lbs) Hang Dim. (in)	(N)ER2M SCC Weight (lbs) Hang Dim. (in)	(N)ER2P/G SCC Weight (lbs) Hang Dim. (in)
		feet	meters			
080S	E	16	5	SC2137 23.4 lbs 41.7 in	SC2144 36.2 lbs 46.5 in	SC2193 36.2 lbs 47.2 in
	F	21	6.6	SC2138 24.9 lbs 43.7 in	SC2145 37.7 lbs 48.4 in	SC2194 37.7 lbs 49.2 in
	G	26	8.3	SC2139 26.5 lbs 45.7 in	SC2146 39.2 lbs 50.8 in	SC2195 39.2 lbs 51.2 in
	H	34	10.6	SC2140 29.3 lbs 48.4 in	SC2147 42.1 lbs 53.1 in	SC2196 42.1 lbs 53.9 in
	I	42	13.3	SC2141 32.8 lbs 48.8 in	SC2148 45.6 lbs 54.3 in	SC2197 45.6 lbs 54.3 in
	J	54	16.6	SC2142 35.1 lbs 51.2 in	SC2149 47.8 lbs 56.7 in	SC2198 47.8 lbs 56.7 in
	K	70	21.3	SC2143 37.7 lbs 53.9 in	SC2150 50.5 lbs 59.4 in	SC2199 50.5 lbs 59.4 in
100L	E	11	3.7	SC2151 23.4 lbs 41.7 in	SC2158 36.2 lbs 46.5 in	SC2200 36.2 lbs 47.2 in
	F	16	5	SC2152 24.9 lbs 43.7 in	SC2159 37.7 lbs 48.4 in	SC2201 37.7 lbs 49.2 in
	G	20	6.2	SC2153 26.5 lbs 45.7 in	SC2160 39.2 lbs 50.8 in	SC2202 39.2 lbs 51.2 in
	H	26	8	SC2154 29.3 lbs 48.4 in	SC2161 42.1 lbs 53.1 in	SC2203 42.1 lbs 53.9 in
	I	32	10	SC2155 32.8 lbs 48.8 in	SC2162 45.6 lbs 54.3 in	SC2204 45.6 lbs 54.3 in
	J	41	12.5	SC2156 35.1 lbs 51.2 in	SC2163 47.8 lbs 56.7 in	SC2205 47.8 lbs 56.7 in
	K	52	16	SC2157 37.7 lbs 53.9 in	SC2164 50.5 lbs 59.4 in	SC2206 50.5 lbs 59.4 in

* Hang distance for ER080S with out trolley is measured from center of lug hole to bottom of chain container.

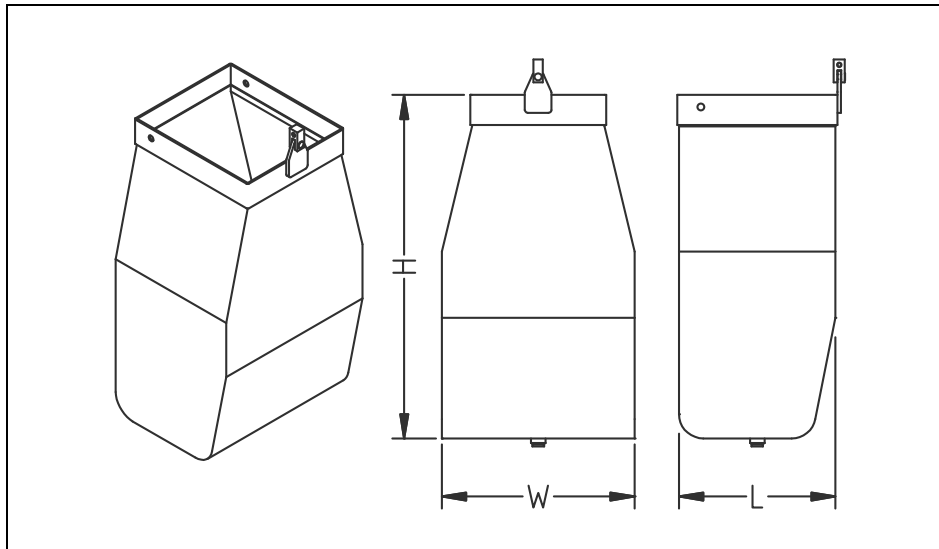
Hoist Capacity Code	Cont. Size	Lift		(N)ER2 SCC Weight (lbs) Hang Dim. (in)	(N)ER2M SCC Weight (lbs) Hang Dim. (in)	(N)ER2P/G SCC Weight (lbs) Hang Dim. (in)
		feet	meters			
100S*	DH	10	3	SC2165 31.5 lbs 50.4 in	SC2165 31.5 lbs 43.3 in	SC2165 31.5 lbs 43.3 in
	FH	20	6	SC2166 38.6 lbs 53.9 in	SC2166 38.6 lbs 46.9 in	SC2166 38.6 lbs 46.9 in
	E	24	7.5	SC2167 48.1 lbs 53.9 in	SC2167 48.1 lbs 47.2 in	SC2167 48.1 lbs 47.2 in
	F	32	10	SC2168 51.1 lbs 55.9 in	SC2168 51.1 lbs 49.2 in	SC2168 51.1 lbs 49.2 in
	G	41	12.5	SC2169 54.2 lbs 57.9 in	SC2169 54.2 lbs 51.2 in	SC2169 54.2 lbs 51.2 in
	H	52	16	SC2170 60.0 lbs 60.6 in	SC2170 60.0 lbs 53.9 in	SC2170 60.0 lbs 53.9 in
	I	65	20	SC2171 67.0 lbs 61.4 in	SC2171 67.0 lbs 54.3 in	SC2171 67.0 lbs 54.3 in
	J	82	25	SC2172 71.4 lbs 63.4 in	SC2172 71.4 lbs 56.7 in	SC2172 71.4 lbs 56.7 in
	K	104	32	SC2173 76.7 lbs 66.1 in	SC2173 76.7 lbs 59.4 in	SC2173 76.7 lbs 59.4 in

* Chain container assemblies for 100S, 150S and 200S include two containers to accommodate the dual hoist body configuration.3

Hoist Capacity Code	Cont. Size	Lift		(N)ER2 SCC	(N)ER2M SCC	(N)ER2P/G SCC
		feet	meters	Weight (lbs) Hang Dim. (in)	Weight (lbs) Hang Dim. (in)	Weight (lbs) Hang Dim. (in)
150S*	FH	13	4	SC2166 38.6 lbs 57.5 in	SC2166 38.6 lbs 47.2 in	SC2166 38.6 lbs 47.2 in
	E	16	5	SC2167 48.1 lbs 57.9 in	SC2167 48.1 lbs 47.2 in	SC2167 48.1 lbs 47.2 in
	F	21	6.6	SC2168 51.1 lbs 59.8 in	SC2168 51.1 lbs 49.2 in	SC2168 51.1 lbs 49.2 in
	G	26	8.3	SC2169 54.2 lbs 61.8 in	SC2169 54.2 lbs 51.2 in	SC2169 54.2 lbs 51.2 in
	H	34	10.6	SC2170 60.0 lbs 64.6 in	SC2170 60.0 lbs 53.9 in	SC2170 60.0 lbs 53.9 in
	I	42	13.3	SC2171 67.0 lbs 65.0 in	SC2171 67.0 lbs 54.7 in	SC2171 67.0 lbs 54.7 in
	J	54	16.6	SC2172 71.4 lbs 67.3 in	SC2172 71.4 lbs 57.1 in	SC2172 71.4 lbs 57.1 in
	K	68	21.3	SC2173 76.7 lbs 70.1 in	SC2173 76.7 lbs 59.8 in	SC2173 76.7 lbs 59.8 in
200S*	FH	9	3	SC2166 38.6 lbs 60.6 in	SC2166 38.6 lbs 47.2 in	SC2166 38.6 lbs 47.2 in
	E	11	3.7	SC2167 48.1 lbs 61.0 in	SC2167 48.1 lbs 47.2 in	SC2167 48.1 lbs 47.2 in
	F	16	5	SC2168 51.1 lbs 63.0 in	SC2168 51.1 lbs 49.2 in	SC2168 51.1 lbs 49.2 in
	G	19	6.2	SC2169 54.2 lbs 65.0 in	SC2169 54.2 lbs 51.2 in	SC2169 54.2 lbs 51.2 in
	H	26	8	SC2170 60.0 lbs 67.7 in	SC2170 60.0 lbs 53.9 in	SC2170 60.0 lbs 53.9 in
	I	32	10	SC2171 67.0 lbs 68.1 in	SC2171 67.0 lbs 54.7 in	SC2171 67.0 lbs 54.7 in
	J	41	12.5	SC2172 71.4 lbs 70.5 in	SC2172 71.4 lbs 57.1 in	SC2172 71.4 lbs 57.1 in
	K	52	16	SC2173 76.7 lbs 73.2 in	SC2173 76.7 lbs 59.8 in	SC2173 76.7 lbs 59.8 in

* Chain container assemblies for 100S, 150S and 200S include two containers to accommodate the dual hoist body configuration.

4) Containers Dimensions



Container Size	H		L		W	
	mm	inch	mm	inch	mm	inch
AH	330	13.0	150	5.9	180	7.1
BH	390	15.4	150	5.9	180	7.1
CH	405	15.9	160	6.3	220	8.7
DH	455	17.9	180	7.1	220	8.7
EH	510	20.1	230	9.1	220	8.7
FH	545	21.5	230	9.1	220	8.7
A	390	15.4	160	6.3	220	8.7
B	430	16.9	260	10.2	220	8.7
C	490	19.3	260	10.2	220	8.7
D	510	20.1	260	10.2	220	8.7
E	520	20.5	260	10.2	320	12.6
F	570	22.4	260	10.2	320	12.6
G	620	24.4	260	10.2	320	12.6
H	690	27.2	310	12.2	320	12.6
I	690	27.2	325	12.8	400	15.7
J	750	29.5	350	13.8	400	15.7
K	820	32.3	375	14.8	400	15.7

5) Assembly Drawing Numbers

Container Assy. No.	Drawing
SC2001	70039
SC2002	
SC2003	
SC2004	
SC2005	
SC2006	
SC2007	
SC2008	
SC2009	
SC2010	70010
SC2011	
SC2012	
SC2013	
SC2014	70011
SC2015	
SC2016	
SC2017	
SC2018	
SC2019	70012
SC2020	
SC2021	
SC2022	
SC2023	
SC2024	70013
SC2025	
SC2026	
SC2027	
SC2028	70014
SC2029	
SC2030	
SC2031	70015
SC2032	
SC2033	
SC2034	
SC2035	70016
SC2036	
SC2037	70017
SC2039	
SC2040	
SC2041	
SC2042	70018
SC2043	
SC2044	
SC2045	

Container Assy. No.	Drawing
SC2046	70019
SC2047	
SC2048	
SC2049	
SC2050	70020
SC2051	
SC2052	
SC2053	
SC2054	70021
SC2055	
SC2056	
SC2057	
SC2058	70022
SC2059	
SC2060	
SC2061	70023
SC2062	
SC2063	
SC2064	70024
SC2065	
SC2066	
SC2067	70025
SC2068	
SC2069	
SC2070	70026
SC2071	
SC2072	
SC2073	70027
SC2074	
SC2075	
SC2076	70028
SC2077	
SC2078	
SC2079	70029
SC2080	
SC2081	
SC2082	
SC2083	
SC2084	
SC2085	
SC2086	
SC2087	
SC2088	
SC2089	

Container Assy. No.	Drawing
SC2090	70030
SC2091	
SC2092	
SC2093	
SC2094	70031
SC2095	
SC2096	
SC2097	
SC2098	70032
SC2099	
SC2100	
SC2101	70033
SC2102	
SC2103	
SC2104	
SC2105	70034
SC2106	
SC2107	
SC2108	70035
SC2109	
SC2110	
SC2111	70036
SC2112	
SC2113	
SC2114	70037
SC2115	
SC2116	
SC2117	70038
SC2118	
SC2119	
SC2120	70040
SC2121	
SC2122	
SC2123	70041
SC2124	
SC2125	
SC2126	70042
SC2127	
SC2128	
SC2129	
SC2130	
SC2131	
SC2132	
SC2133	

Container Assy. No.	Drawing
SC2134	70043
SC2135	
SC2136	
SC2137	70044
SC2138	
SC2139	
SC2140	70045
SC2141	
SC2142	70046
SC2143	
SC2144	70047
SC2145	
SC2146	
SC2147	70048
SC2148	
SC2149	
SC2150	70049
SC2151	
SC2152	
SC2153	70050
SC2154	
SC2155	
SC2156	70051
SC2157	
SC2158	
SC2159	70052
SC2160	
SC2161	
SC2162	70053
SC2163	
SC2164	
SC2165	70054
SC2166	
SC2167	
SC2168	70055
SC2169	
SC2170	
SC2171	
SC2172	
SC2173	
SC2174	
SC2175	
SC2176	
SC2177	

Container Assy. No.	Drawing
SC2178	70055
SC2179	70056
SC2180	
SC2181	
SC2182	
SC2183	
SC2184	70057
SC2185	
SC2186	
SC2187	
SC2188	

Container Assy. No.	Drawing
SC2193	70385
SC2194	
SC2195	
SC2196	
SC2197	70386
SC2198	
SC2199	
SC2200	70387
SC2201	
SC2202	
SC2203	

Container Assy. No.	Drawing
SC2204	70388
SC2205	
SC2206	

Container Assy. No.	Drawing