

Purpose:

To provide dimension and specification information for the RH Advantage electric wire rope hoist and trolley.

Attachments:

<u>Pg</u>	<u>Type</u>	<u>Description</u>
2	Data Chart	RH Advantage Trolley Hoist - Hoist Imperial Specifications
2	Data Chart	RH Advantage Trolley Hoist - Hoist Metric Specifications
3	Data Chart	RH Advantage Trolley Hoist - Trolley Imperial Specifications
3	Data Chart	RH Advantage Trolley Hoist - Trolley Metric Specifications
4	Line Drawing and Data Chart	RH Advantage Reaction Forces at Rated Load – Imperial
4	Line Drawing and Data Chart	RH Advantage Reaction Forces at Rated Load – Metric
5	Line Drawing and Data Chart	RH Advantage Trolley Hoist – Imperial Dimensions
5	Line Drawing and Data Chart	RH Advantage Trolley Hoist – Metric Dimensions
6	Data Chart	RH Advantage Trolley Hoist – Imperial Headroom
6	Data Chart	RH Advantage Trolley Hoist – Metric Headroom
7	Line Drawing and Data Chart	RH Advantage Trolley Wheel – Imperial Dimensions
7	Line Drawing and Data Chart	RH Advantage Trolley Wheel – Metric Dimensions
8	Line Drawing and Data Chart	RH Advantage Bottom Hook – Imperial Dimensions
8	Line Drawing and Data Chart	RH Advantage Bottom Hook – Metric Dimensions

RH Advantage Trolley Hoists Hoist Imperial Specifications

Capacity (Tons)	Product Code	Lift (ft)	Lifting Speed (ft/min)	Reeving (parts/ reeving)	Rope** (mm- spec.)	Dual Speed Lifting Motor 3 Phase 60Hz			Net Weight (lbs)
						Output (Hp)	Rated Current (amps)		
			Dual Speed				@460V	@230V	
5	RH05U23D4G-①-WA	23	16/5	4/1	9	8.2/2.7	11.5/9.6	23.0/19.2	991
	RH05U33D4G-①-WA	33							1101
7 1/2	RH08U23D3G-①-WA	23							991
	RH08U33D3G-①-WA	33							1101
10	RH10U23D4L-①-WA	23			2429				
	RH10U33D4L-①-WA	33			2671				

① 2 = 230V – 3ph – 60Hz
4 = 460V – 3ph – 60Hz

RH Advantage Trolley Hoists Hoist Metric Specifications

Capacity (Tons)	Product Code	Lift (m)	Lifting Speed (m/min)	Reeving (parts/ reeving)	Rope** (mm- spec.)	Dual Speed Lifting Motor 3 Phase 60Hz			Net Weight (Kg)
						Output (KW)	Rated Current (amps)		
			Dual Speed				@460V	@230V	
5	RH05U23D4G-①-WA	7	4.8/1.6	4/1	9	6.1/2.0	11.5/9.6	23.0/19.2	450
	RH05U33D4G-①-WA	10							500
7 1/2	RH08U23D3G-①-WA	7							450
	RH08U33D3G-①-WA	10							500
10	RH10U23D4L-①-WA	7			1102				
	RH10U33D4L-①-WA	10			1212				

① 2 = 230V – 3ph – 60Hz
4 = 460V – 3ph – 60Hz

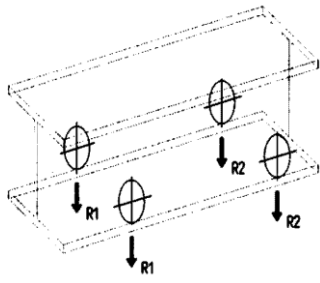
RH Advantage Trolley Hoists Trolley Imperial Specifications

Capacity (Tons)	Product Code	Standard Flange Width B (in)	Traversing Motors		
			Dual Speed 80/20 ft/min		
			Output (Hp)	Rated Current (amps)	
				@460V	@230V
5	RH05U23D4G-Φ-WA	4.69 to 15.75	0.52/0.11	1.0/0.8	2.0/1.6
	RH05U33D4G-Φ-WA				
7 1/2	RH08U23D3G-Φ-WA				
	RH08U33D3G-Φ-WA				
10	RH10U23D4L-Φ-WA	5.31 to 15.75	0.82/0.2	1.35/1.2	2.7/2.4
	RH10U33D4L-Φ-WA				

RH Advantage Trolley Hoists Trolley Metric Specifications

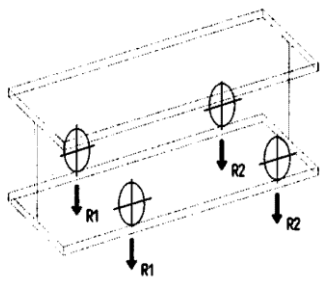
Capacity (Tons)	Product Code	Standard Flange Width B (mm)	Traversing Motors		
			Dual Speed 20/5 m/min		
			Output (KW)	Rated Current (amps)	
				@460V	@230V
5	RH05U23D4G-Φ-WA	120 to 400	0.39/0.08	1.0/0.8	2.0/1.6
	RH05U33D4G-Φ-WA				
7 1/2	RH08U23D3G-Φ-WA				
	RH08U33D3G-Φ-WA				
10	RH10U23D4L-Φ-WA	135 to 400	0.61/0.15	1.35/1.2	2.7/2.4
	RH10U33D4L-Φ-WA				

RH Advantage Trolley Hoists Reaction Forces at Rated Load – Imperial



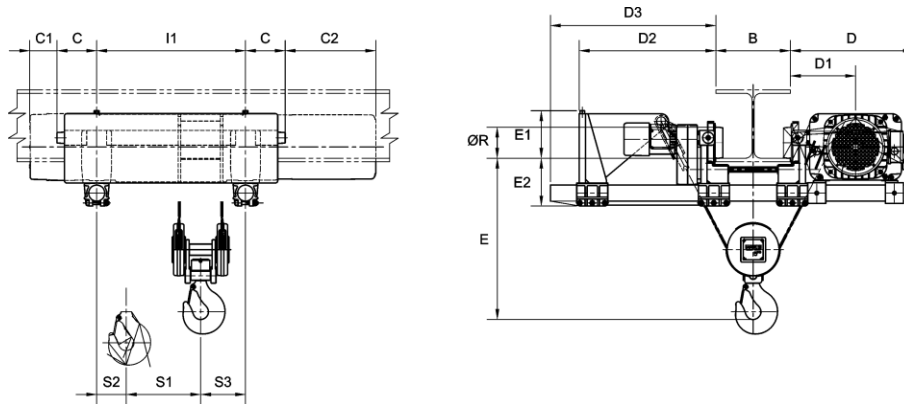
Capacity (Tons)	Trolley Wheel Reaction Forces		
	Product Code	R1 (lbs)	R2 (lbs)
5	RH05U23D4G-①-WA	3819	1660
	RH05U33D4G-①-WA	4356	1178
7 1/2	RH08U23D3G-①-WA	5569	2410
	RH08U33D3G-①-WA	6356	1678
10	RH10U23D4L-①-WA	7523	3626
	RH10U33D4L-①-WA	8704	2566

RH Advantage Trolley Hoists Reaction Forces at Rated Load - Metric



Capacity (Tons)	Trolley Wheel Reaction Forces		
	Product Code	R1 (Kg)	R2 (Kg)
5	RH05U23D4G-①-WA	1732	753
	RH05U33D4G-①-WA	1976	534
7 1/2	RH08U23D3G-①-WA	2526	1093
	RH08U33D3G-①-WA	2883	761
10	RH10U23D4L-①-WA	3412	1645
	RH10U33D4L-①-WA	3948	1164

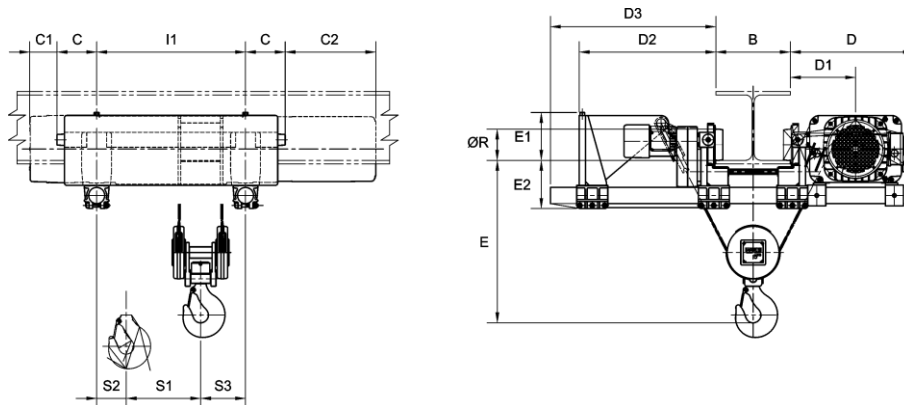
RH Advantage Trolley Hoists Imperial Dimensions



Note:
 ▪ Ultra-Low headroom trolleys are suitable for use on S or W shaped beams.
 ▪ Refer to page 3, Trolley Specification table for flange range dimension B.
 ▪ Refer to page 6, Headroom table for headroom dimension E.

Capacity (Tons)	Product Code	C (in)	C1 (in)	C2 (in)	D (in)	D1 (in)	D2 (in)	D3 (in)	E1 (in)	E2 (in)	I1 (in)	ØR (in)	S1 (in)	S2 (in)	S3 (in)
5	RH05U23D4G-⓪-WA	6.3	4.3	14.4	19.5	10.4	22.1	26.3	7.6	7.6	23.6	4.92	5.3	11.2	7.1
	RH05U33D4G-⓪-WA										39.4		8.3	23.2	7.9
7 1/2	RH08U23D3G-⓪-WA										23.6		5.3	11.2	7.1
	RH08U33D3G-⓪-WA										39.4		8.3	23.2	7.9
10	RH10U23D4L-⓪-WA	10.8	-2.8	16.9	24.6	13.2	24.5	28.5	11.0	10.2	29.1	7.87	6.3	13.4	9.4
	RH10U33D4L-⓪-WA										49.6		9.4	29.5	10.6

RH Advantage Trolley Hoists Metric Dimensions



Note:
 ▪ Ultra-Low headroom trolleys are suitable for use on S or W shaped beams.
 ▪ Refer to page 3, Trolley Specification table for flange range dimension B.
 ▪ Refer to page 6, Headroom table for headroom dimension E.

Capacity (Tons)	Product Code	C (mm)	C1 (mm)	C2 (mm)	D (mm)	D1 (mm)	D2 (mm)	D3 (mm)	E1 (mm)	E2 (mm)	I1 (mm)	ØR (mm)	S1 (mm)	S2 (mm)	S3 (mm)
5	RH05U23D4G-⓪-WA	160	110	365	495	263	561	668	192	193	600	125	135	285	180
	RH05U33D4G-⓪-WA										1000		210	590	200
7 1/2	RH08U23D3G-⓪-WA										600		135	285	180
	RH08U33D3G-⓪-WA										1000		210	590	200
10	RH10U23D4L-⓪-WA	275	-70	430	626	335	621	724	279	260	740	200	160	340	240
	RH10U33D4L-⓪-WA										1260		240	750	270

RH Advantage Trolley Hoists Imperial Headroom

Hoist Code	Flange Range (in)	Headroom, E* (in)	Headroom, E for 6 inch Flange (in)
G	4.69 to 6.49	18.9	18.9
	6.50 to 15.75	$10.9 + (1.23 \times T)$	
L	5.31 to 10.51	24.0	24.0
	10.52 to 15.75	$11.4 + (1.20 \times T)$	

*T in formulas is the exact beam flange width in inches.

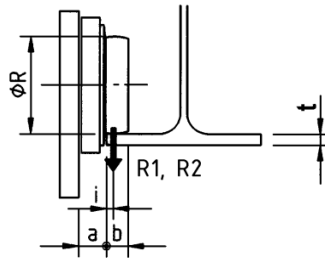
RH Advantage Trolley Hoists Metric Headroom

Hoist Code	Flange Range (mm)	Headroom, E* (mm)	Headroom, E for 6 inch Flange (mm)
G	120 to 164	480	480
	165 to 400	$277 + (1.23 \times T)$	
L	135 to 267	610	610
	268 to 400	$290 + (1.20 \times T)$	

*T in formulas is the exact beam flange width in inches.

RH Advantage Trolley Hoists Trolley Wheel Imperial Dimensions

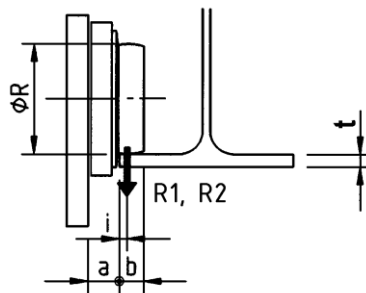
Capacity (Tons)	Product Code	a (in)	b (in)	I (in)	Wheel Dia. $\varnothing R$ (in)	Maximum Flange Thickness t (in)
5	RH05U23D4G-①-WA	1.38	1.14	0.47	4.92	0.91
	RH05U33D4G-①-WA					
7 1/2	RH08U23D3G-①-WA					
	RH08U33D3G-①-WA					
10	RH10U23D4L-①-WA	1.77	1.50	0.75	7.87	1.50
	RH10U33D4L-①-WA					



Note: See Reaction Forces at Rate Load table on page 29 for reaction forces R1 and R2.

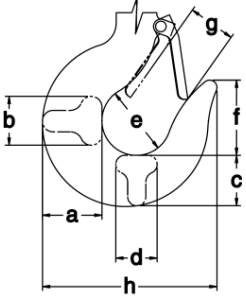
RH Advantage Trolley Hoists Trolley Wheel Metric Dimensions

Capacity (Tons)	Product Code	a (mm)	b (mm)	I (mm)	Wheel Dia. $\varnothing R$ (mm)	Maximum Flange Thickness t (mm)
5	RH05U23D4G-①-WA	35	29	12	125	23
	RH05U33D4G-①-WA					
7 1/2	RH08U23D3G-①-WA					
	RH08U33D3G-①-WA					
10	RH10U23D4L-①-WA	45	38	19	200	38
	RH10U33D4L-①-WA					



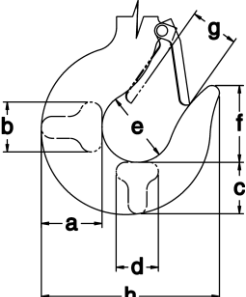
Note: See Reaction Forces at Rate Load table on page 29 for reaction forces R1 and R2.

RH Advantage Trolley Hoists Bottom Hook Imperial Dimensions



Capacity (Tons)	Product Code	a (in)	b (in)	c (in)	d (in)	e (in)	f (in)	g (in)	h (in)
5	RH05U23D4G-①-WA	2.6	2.1	2.3	1.8	2.5	2.8	1.7	6.7
	RH05U33D4G-①-WA								
7 1/2	RH08U23D3G-①-WA								
	RH08U33D3G-①-WA								
10	RH10U23D4L-①-WA	3.5	2.8	3.0	2.4	3.1	3.5	2.0	8.9
	RH10U33D4L-①-WA								

RH Advantage Trolley Hoists Bottom Hook Metric Dimensions



Capacity (Tons)	Product Code	a (mm)	b (mm)	c (mm)	d (mm)	e (mm)	f (mm)	g (mm)	h (mm)
5	RH05U23D4G-①-WA	66	53	58	46	64	71	43	170
	RH05U33D4G-①-WA								
7 1/2	RH08U23D3G-①-WA								
	RH08U33D3G-①-WA								
10	RH10U23D4L-①-WA	89	71	76	61	79	89	51	226
	RH10U33D4L-①-WA								