



ER2 Cylinder Control Electric Chain Hoist
Model ER2A
Specifications and Dimensions

Purpose:

To provide dimension and specification information for hook mount, single and dual speed cylinder control ER model electric chain hoist.

Imperial Single Speed Specifications:

Cap. (Tons)	Product Code	Standard Lift (ft)	Lifting Speed (ft/min)	Lifting Motor 3 Phase 60 Hz			Load Chain Diameter (mm) x Chain Fall Lines	Net Weight (lbs)	
				Output (Hp)	Rated Current (amps)			NER	ER
					@208 - 230V	@460V			
1/8	(N)ER2001HCC	6	55	0.75	3.4	1.7	4.3 x 1	66	68
1/4	(N)ER2003SCC	6	36	0.75	3.4	1.7	4.3 x 1	66	68

Imperial Single Speed Dimensions:

Cap. (Tons)	Product Code	Headroom C (in)	D (in)	a (in)		b (in)		d (in)		e (in)	f (in)		g (in)	h (in)	i (in)	
				NER	ER	NER	ER	NER	ER		NER	ER			NER	ER
1/8	(N)ER2001HCC	41.9	19.3	18.8	22.2	12.6	13.6	8.6	12.0	10.2	10.2	11.2	1.1	3.9	3.7	4.6
1/4	(N)ER2003SCC	41.9	19.3	18.8	22.2	12.6	13.6	8.6	12.0	10.2	10.2	11.2	1.1	3.9	3.7	4.6

Metric Single Speed Specifications:

Cap. (Tons)	Product Code	Standard Lift (m)	Lifting Speed (m/min)	Lifting Motor 3 Phase 60 Hz			Load Chain Diameter (mm) x Chain Fall Lines	Net Weight (kg)	
				Output (kW)	Rated Current (amps)			NER	ER
					@208 - 230V	@460V			
1/8	(N)ER2001HCC	1.8	16.8	0.56	3.4	1.7	4.3 x 1	30	31
1/4	(N)ER2003SCC	1.8	11.0	0.56	3.4	1.7	4.3 x 1	30	31

Metric Single Speed Dimensions:

Cap. (Tons)	Product Code	Headroom C (mm)	D (mm)	a (mm)		b (mm)		d (mm)		e (mm)	f (mm)		g (mm)	h (mm)	i (mm)	
				NER	ER	NER	ER	NER	ER		NER	ER			NER	ER
1/8	(N)ER2001HCC	1065	490	478	564	321	345	219	305	259	260	284	27	99	93	117
1/4	(N)ER2003SCC	1065	490	478	564	321	345	219	305	259	260	284	27	99	93	117

Imperial Dual Speed Specifications:

Cap. (Tons)	Product Code	Standard Lift (ft)	Lifting Speed (ft/min)	Lifting Motor 3 Phase 60 Hz*			Load Chain Diameter (mm) X Chain Fall Lines	Net Weight (lbs)	
				Output (Hp)	Rated Current (amps)			NER	ER
					@208V - 230V	@460V			
1/8	(N)ER2001HDCC	6	55/9	0.75	3.6	1.8	4.3 X 1	64	68
1/4	(N)ER2003SDCC	6	36/6	0.75	3.6	1.8	4.3 X 1	64	68

*Although both 208/230 & 460 Volts are shown together, the motors are NOT reconnectable.

Imperial Dual Speed Dimensions:

Cap. (Tons)	Product Code	Headroom C (in)	D (in)	a (in)		b (in)	d (in)		e (in)	f (in)	g (in)	h (in)	i (in)
				NER	ER		NER	ER					
				1/8	(N)ER2001HDCC	41.9	19.3	21.1	22.2	13.6	10.9	12.0	10.2
1/4	(N)ER2003SDCC	41.9	19.3	21.1	22.2	13.6	10.9	12.0	10.2	11.2	1.1	3.9	4.6

Metric Dual Speed Specifications:

Cap. (Tons)	Product Code	Standard Lift (m)	Lifting Speed (m/min)	Lifting Motor 3 Phase 60 Hz*			Load Chain Diameter (mm) X Chain Fall Lines	Net Weight (kg)	
				Output (kW)	Rated Current (amps)			NER	ER
					@208V - 230V	@460V			
1/8	(N)ER2001HDCC	1.8	16.8/2.7	0.56	3.6	1.8	4.3 X 1	29	31
1/4	(N)ER2003SDCC	1.8	11.0/1.8	0.56	3.6	1.8	4.3 X 1	29	31

*Although both 208/230 & 460 Volts are shown together, the motors are NOT reconnectable.

Metric Dual Speed Dimensions:

Cap. (Tons)	Product Code	Headroom C (mm)	D (mm)	a (mm)		b (mm)	d (mm)		e (mm)	f (mm)	g (mm)	h (mm)	i (mm)
				NER	ER		NER	ER					
				1/8	(N)ER2001HDCC	1065	490	535	564	345	276	305	259
1/4	(N)ER2003SDCC	1065	490	535	564	345	276	305	259	284	27	99	117

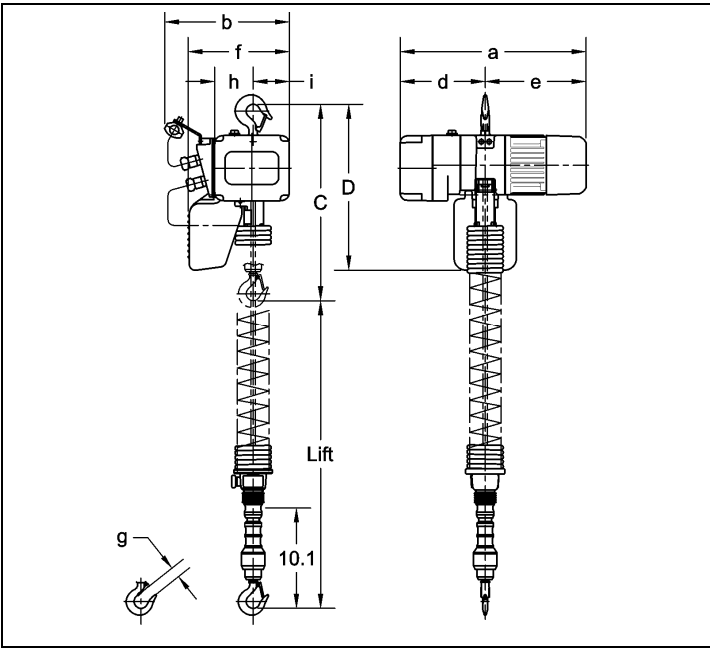


Figure 1 – NER2003SCC (Imperial)

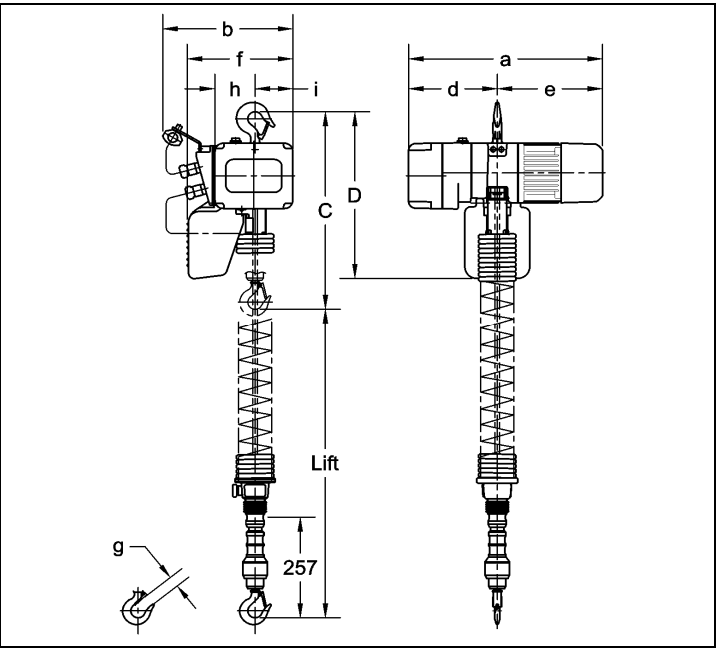


Figure 2 – NER2003SCC (Metric)

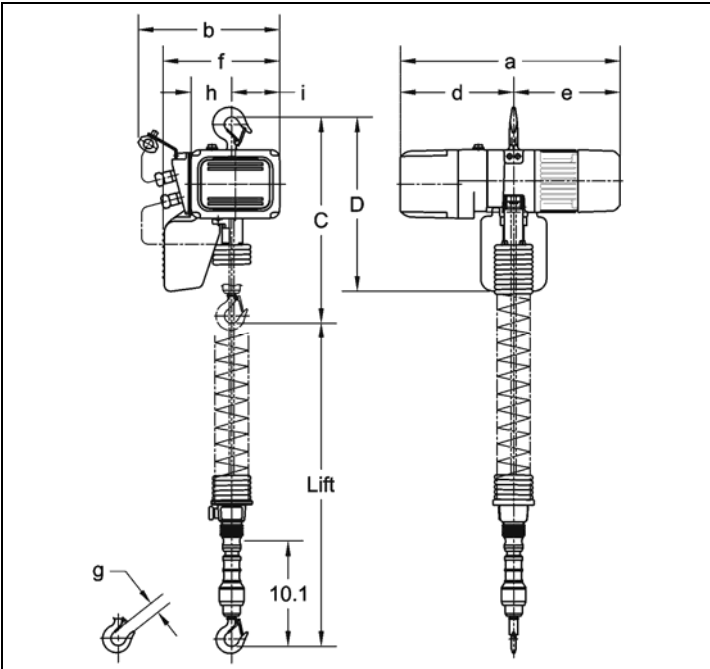


Figure 3 – NER2003SDCC (Imperial)

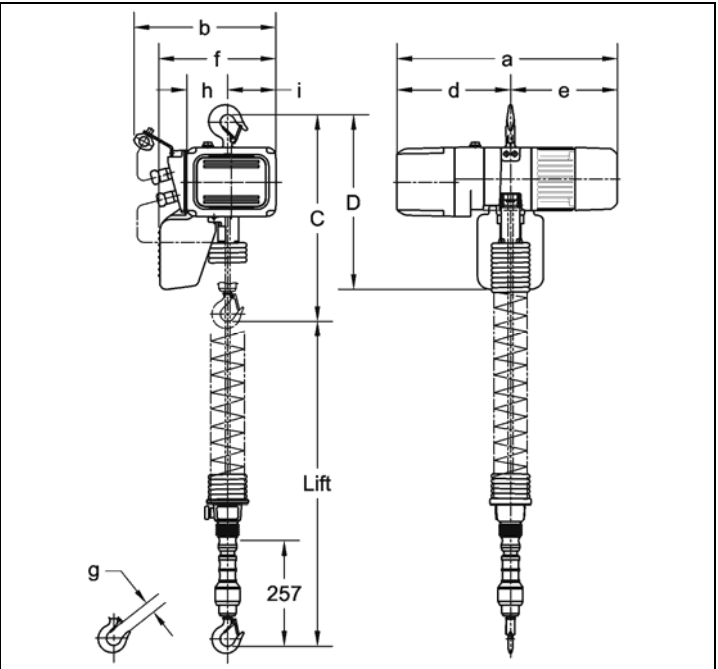


Figure 4 – NER2003SDCC (Metric)