

PURPOSE

To provide dimension and specification information for single and dual speed ER2 model electric chain hoist equipped with manual push and geared trolleys.

IMPERIAL SPECIFICATIONS - SINGLE SPEED HOIST WITH GEARED OR PUSH TROLLEY

Cap. (Tons)	Product Code	Standard Lift (ft)	Push Button Cord L (ft)	Lifting Speed (ft/min)	Lifting Motor 3 Phase 60 Hz			Flange Width Adjustability B (in)		Minimum* Allow. Radius for curve (in)	Load Chain Diameter (mm) x Chain Fall Lines	Net Weight (lbs)		Weight for Additional One Foot of Lift (lbs)	
					Output (Hp)	Rated Current (amps)		Standard	Optional			NER	ER		
						@208 - 230V	@460V								
1/8	(N)ER2P(ER2G)001H	10	8.2	55	0.75	3.4	1.7	2.28 to 4.00 (2.28 to 5.00)	4.01 to 8.00 (5.01 to 8.00) OR 8.01 to 12.00	43.3 (51.2)	4.3 x 1	71 (88)	73 (90)	0.28 (.94)	
1/4	(N)ER2P(ER2G)003S			36	0.75	3.4	1.7				4.3 x 1	71 (88)	73 (90)	0.28 (.94)	
1/4	(N)ER2P(ER2G)003H			53	1.2	4.8	2.5				6.0 x 1	90 (108)	93 (110)	0.54 (1.1)	
1/2	(N)ER2P(ER2G)005L			15	0.75	3.4	1.7				6.0 x 1	82 (99)	90 (106)	0.54 (1.1)	
1/2	(N)ER2P(ER2G)005S			29	1.2	4.8	2.5				6.0 x 1	90 (108)	93 (110)	0.54 (1.1)	
1	(N)ER2P(ER2G)010L			14	1.2	4.8	2.5				2.28 to 5.00	5.01 to 8.00 OR 8.01 to 12.00	51.2	7.7 x 1	121 (130)
1	(N)ER2P(ER2G)010S			28	2.4	8.6	4.2	7.7 x 1	137 (146)	137 (146)				0.89 (1.6)	
1 1/2	(N)ER2P(ER2G)015S			18	2.4	8.6	4.2	3.23 to 6.02	6.03 to 12.00	59.1	10.2 x 1	187 (196)	201 (209)	1.6 (2.2)	
2	(N)ER2P(ER2G)020C			7	1.2	4.8	2.5				7.7 x 2	161 (172)	165 (176)	1.8 (2.4)	
2	(N)ER2P(ER2G)020L			14	2.4	8.6	4.2				10.2 x 1	190 (198)	203 (212)	1.6 (2.2)	
2	(N)ER2P(ER2G)020S			28	4.7	16.4	7.9				10.2 x 1	231 (240)	229 (238)	1.6 (2.2)	
2 1/2	(N)ER2P(ER2G)025S			22	4.7	16.4	7.9			66.9	11.2 x 1	280 (289)	278 (287)	1.9 (2.5)	
3	(N)ER2P(ER2G)030L			TBD	TBD	TBD	TBD			TBD	TBD	TBD	TBD	TBD	TBD
3	(N)ER2P(ER2G)030C			9.2	17	4.7	16.4	7.9	3.94 to 7.02	7.03 to 12.00	90.6	10.2 x 2	284 (293)	282 (291)	3.2 (3.8)
5	(N)ER2P(ER2G)050L				11	4.7	16.4	7.9				11.2 x 2	399 (415)	395 (410)	3.8 (4.4)

Figures in parentheses are data for geared trolley.

*Minimum Flange Width for curved beam: 1 Ton Push and 1/8 to 1 Ton Geared = 2.87 in.
 3 Ton Push or Geared = 3.50 in.

IMPERIAL DIMENSIONS - SINGLE SPEED HOIST WITH GEARED TROLLEY

Cap. (Tons)	Product Code	Headroom C (in)	E (ft)	a (in)	b (in)	e (in)	g (in)	h (in)	i (in)	j (in)	k (in)	k' (in)	m (in)	n (in)	r (in)	t (in)	u (in)
1/8	(N)ER2G001H	16.3	10.5	13.6	9.3	6.0	1.1	4.2	2.80	1.1	3.7	4.2	2.2	4.4	1.9	0.98	7.2
1/4	(N)ER2G003S	16.3	10.5	13.6	9.3	6.0	1.1	4.2	2.80	1.1	3.7	4.2	2.2	4.4	1.9	0.98	7.2
1/4	(N)ER2G003H	17.1	10.5	13.6	9.3	6.0	1.1	4.2	2.80	1.1	3.7	4.2	2.2	4.4	1.9	0.98	7.2
1/2	(N)ER2G005L	17.1	10.5	13.6	9.3	6.0	1.1	4.2	2.80	1.1	3.7	4.2	2.2	4.4	1.9	0.98	7.2
1/2	(N)ER2G005S	17.1	10.5	13.6	9.3	6.0	1.1	4.2	2.80	1.1	3.7	4.2	2.2	4.4	1.9	0.98	7.2
1	(N)ER2G010L	18.5	10.5	13.6	9.3	6.0	1.2	4.2	2.80	1.1	3.7	4.2	2.2	4.4	1.9	0.98	7.2
1	(N)ER2G010S	18.5	10.5	13.6	9.3	6.0	1.2	4.2	2.80	1.1	3.7	4.2	2.2	4.4	1.9	0.98	7.2
1 1/2	(N)ER2G015S	22.4	10.5	15.2	11.0	6.1	1.4	5.0	3.35	1.4	4.4	4.3	2.8	5.2	2.4	1.26	7.2
2	(N)ER2G020C	27.0	10.5	15.2	11.0	6.1	1.5	5.0	3.35	1.4	4.4	4.3	2.8	5.2	2.4	1.26	7.2
2	(N)ER2G020L	25.0	10.5	15.2	11.0	6.1	1.6	5.0	3.35	1.4	4.4	4.3	2.8	5.2	2.4	1.26	7.2
2	(N)ER2G020S	25.6	10.5	15.2	11.0	6.1	1.6	5.0	3.35	1.4	4.4	4.3	2.8	5.2	2.4	1.26	7.2
2 1/2	(N)ER2G025S	26.8	11.0	15.7	12.8	6.2	1.6	5.8	3.94	1.4	5.3	4.5	3.1	6.0	2.7	1.42	7.2
3	(N)ER2G030L	TBD	TBD	TBD	TBD	TBD	TBD	TBD	TBD	TBD	TBD	TBD	TBD	TBD	TBD	TBD	TBD
3	(N)ER2G030C	32.7	11.0	15.7	12.8	6.2	1.8	5.8	3.94	1.4	5.3	4.5	3.1	6.0	2.7	1.42	7.2
5	(N)ER2G050L	33.1	11.5	15.8	15.7	6.2	1.9	6.7	4.65	1.8	5.6	5.1	3.2	7.0	3.4	2.13	7.2

IMPERIAL DIMENSIONS - SINGLE SPEED HOIST WITH PUSH TROLLEY

Cap. (Tons)	Product Code	Headroom C (in)	a (in)	b (in)	e (in)	g (in)	h (in)	i (in)	j (in)	k (in)	m (in)	n (in)	r (in)	t (in)
1/8	(N)ER2P001H	15.6	8.0	7.2	1.8	1.1	3.2	2.36	0.8	3.0	1.9	3.3	1.5	0.87
1/4	(N)ER2P003S	15.6	8.0	7.2	1.8	1.1	3.2	2.36	0.8	3.0	1.9	3.3	1.5	0.87
1/4	(N)ER2P003H	16.3	8.0	7.2	1.8	1.1	3.2	2.36	0.8	3.0	1.9	3.3	1.5	0.87
1/2	(N)ER2P005L	16.3	8.0	7.2	1.8	1.1	3.2	2.36	0.8	3.0	1.9	3.3	1.5	0.87
1/2	(N)ER2P005S	16.3	8.0	7.2	1.8	1.1	3.2	2.36	0.8	3.0	1.9	3.3	1.5	0.87
1	(N)ER2P010L	18.5	9.8	9.3	2.2	1.2	4.2	2.80	1.1	3.7	2.2	4.4	2.0	0.98
1	(N)ER2P010S	18.5	9.8	9.3	2.2	1.2	4.2	2.80	1.1	3.7	2.2	4.4	2.0	0.98
1 1/2	(N)ER2P015S	22.4	11.8	11.0	2.7	1.4	5.0	3.35	1.4	4.4	2.8	5.2	2.4	1.26
2	(N)ER2P020C	27.4	11.8	11.0	2.7	1.5	5.0	3.35	1.4	4.4	2.8	5.2	2.4	1.26
2	(N)ER2P020L	25.0	11.8	11.0	2.7	1.6	5.0	3.35	1.4	4.4	2.8	5.2	2.4	1.26
2	(N)ER2P020S	25.6	11.8	11.0	2.7	1.6	5.0	3.35	1.4	4.4	2.8	5.2	2.4	1.26
2 1/2	(N)ER2P025S	26.8	12.6	12.8	3.1	1.6	5.8	3.94	1.4	5.3	3.1	6.0	2.7	1.42
3	(N)ER2P030L	TBD	TBD	TBD	TBD	TBD	TBD	TBD	TBD	TBD	TBD	TBD	TBD	TBD
3	(N)ER2P030C	32.7	12.6	12.8	3.1	1.8	5.8	3.94	1.4	5.3	3.1	6.0	2.7	1.42
5	(N)ER2P050L	33.1	11.7	15.7	2.1	1.9	6.7	4.65	1.8	5.6	3.2	7.0	3.4	2.13

METRIC SPECIFICATIONS - SINGLE SPEED HOIST WITH GEARED OR PUSH TROLLEY

Cap. (Tons)	Product Code	Standard Lift (m)	Push Button Cord L (m)	Lifting Speed (m/min)	Lifting Motor 3 Phase 60 Hz			Flange Width Adjustability B (mm)		Minimum* Allow. Radius for curve (mm)	Load Chain Diameter (mm) x Chain Fall Lines	Net Weight (kg)		Weight for Additional One Meter of Lift (kg)	
					Output (kW)	Rated Current (amps)		Standard	Optional			NER	ER		
						@208 - 230V	@460V								
1/8	(N)ER2P(ER2G)001H	3.0	2.5	16.8	0.56	3.4	1.7	58 to 102 (58 to 127)	103 to 203 (128 to 203) OR 204 to 305	1100 (1300)	4.3 x 1	32 (40)	33 (41)	0.42 (1.4)	
1/4	(N)ER2P(ER2G)003S			11.0	0.56	3.4	1.7				4.3 x 1	32 (40)	33 (41)	0.42 (1.4)	
1/4	(N)ER2P(ER2G)003H			16.2	0.9	4.8	2.5				6.0 x 1	41 (49)	42 (50)	0.81 (1.7)	
1/2	(N)ER2P(ER2G)005L			4.6	0.56	3.4	1.7				6.0 x 1	37 (45)	41 (48)	0.81 (1.7)	
1/2	(N)ER2P(ER2G)005S			8.8	0.9	4.8	2.5				6.0 x 1	41 (49)	42 (50)	0.81 (1.7)	
1	(N)ER2P(ER2G)010L			4.3	0.9	4.8	2.5	58 to 127	128 to 203 OR 204 to 305	1300	7.7 x 1	55 (59)	58 (62)	1.33 (2.3)	
1	(N)ER2P(ER2G)010S			8.5	1.8	8.6	4.2				7.7 x 1	62 (66)	62 (66)	1.33 (2.3)	
1 1/2	(N)ER2P(ER2G)015S			5.5	1.8	8.6	4.2	82 to 153	154 to 305	1500	10.2 x 1	85 (89)	91 (95)	2.3 (3.2)	
2	(N)ER2P(ER2G)020C			2.1	0.9	4.8	2.5				7.7 x 2	73 (78)	75 (80)	2.7 (3.6)	
2	(N)ER2P(ER2G)020L			4.3	1.8	8.6	4.2				10.2 x 1	86 (90)	92 (96)	2.3 (3.2)	
2	(N)ER2P(ER2G)020S			8.5	3.5	16.4	7.9				10.2 x 1	105 (109)	104 (108)	2.3 (3.2)	
2 1/2	(N)ER2P(ER2G)025S			6.7	3.5	16.4	7.9			11.2 x 1	127 (131)	126 (130)	2.8 (3.7)		
3	(N)ER2P(ER2G)030L			TBD	TBD	TBD	TBD	1700	TBD	TBD	TBD	TBD			
3	(N)ER2P(ER2G)030C			5.2	3.5	16.4	7.9		10.2 x 2	129 (133)	128 (132)	4.7 (5.6)			
5	(N)ER2P(ER2G)050L			2.8	3.4	3.5	16.4		7.9	100 to 178	179 to 305	2300	11.2 x 2	181 (188)	179 (186)

Figures in parentheses are data for geared trolley.

*Minimum Flange Width for curved beam: 1 Ton Push and 1/8 to 1 Ton Geared = 73 mm
3 Ton Push or Geared = 89 mm

METRIC DIMENSIONS - SINGLE SPEED HOIST WITH GEARED TROLLEY

Cap. (Tons)	Product Code	Headroom C (mm)	E (m)	a (mm)	b (mm)	e (mm)	g (mm)	h (mm)	i (mm)	j (mm)	k (mm)	k' (mm)	m (mm)	n (mm)	r (mm)	t (mm)	u (mm)
1/8	(N)ER2G001H	415	3.2	345	236	152	27	106	71	29	95	106	56	112	50	25	183
1/4	(N)ER2G003S	415	3.2	345	236	152	27	106	71	29	95	106	56	112	50	25	183
1/4	(N)ER2G003H	435	3.2	345	236	152	27	106	71	29	95	106	56	112	50	25	183
1/2	(N)ER2G005L	435	3.2	345	236	152	27	106	71	29	95	106	56	112	50	25	183
1/2	(N)ER2G005S	435	3.2	345	236	152	27	106	71	29	95	106	56	112	50	25	183
1	(N)ER2G010L	470	3.2	345	236	152	31	106	71	29	95	106	56	112	50	25	183
1	(N)ER2G010S	470	3.2	345	236	152	31	106	71	29	95	106	56	112	50	25	183
1 1/2	(N)ER2G015S	570	3.2	385	280	154	35	127	85	35	112	109	71	131	62	32	183
2	(N)ER2G020C	695	3.2	385	280	154	37	127	85	35	112	109	71	131	62	32	183
2	(N)ER2G020L	635	3.2	385	280	154	40	127	85	35	112	109	71	131	62	32	183
2	(N)ER2G020S	650	3.2	385	280	154	40	127	85	35	112	109	71	131	62	32	183
2 1/2	(N)ER2G025S	680	3.4	398	324	157	40	148	100	36	134	114	80	152	68	36	183
3	(N)ER2G030L	TBD	TBD	TBD	TBD	TBD	TBD	TBD	TBD	TBD	TBD	TBD	TBD	TBD	TBD	TBD	TBD
3	(N)ER2G030C	830	3.4	398	324	157	45	148	100	36	134	114	80	152	68	36	183
5	(N)ER2G050L	840	3.5	401	400	157	47	169	118	46	144	130	81	178	88	54	183

METRIC DIMENSIONS - SINGLE SPEED HOIST WITH PUSH TROLLEY

Cap. (Tons)	Product Code	Headroom C (mm)	a (mm)	b (mm)	e (mm)	g (mm)	h (mm)	i (mm)	j (mm)	k (mm)	m (mm)	n (mm)	r (mm)	t (mm)
1/8	(N)ER2P001H	395	204	182	46	27	82	60	22	76	48	84	38	22
1/4	(N)ER2P003S	395	204	182	46	27	82	60	22	76	48	84	38	22
1/4	(N)ER2P003H	415	204	182	46	27	82	60	22	76	48	84	38	22
1/2	(N)ER2P005L	415	204	182	46	27	82	60	22	76	48	84	38	22
1/2	(N)ER2P005S	415	204	182	46	27	82	60	22	76	48	84	38	22
1	(N)ER2P010L	470	249	236	56	31	106	71	28	95	56	112	50	25
1	(N)ER2P010S	470	249	236	56	31	106	71	28	95	56	112	50	25
1 1/2	(N)ER2P015S	570	300	280	69	35	127	85	35	112	71	131	62	32
2	(N)ER2P020C	695	300	280	69	37	127	85	35	112	71	131	62	32
2	(N)ER2P020L	635	300	280	69	40	127	85	35	112	71	131	62	32
2	(N)ER2P020S	650	300	280	69	40	127	85	35	112	71	131	62	32
2 1/2	(N)ER2P025S	680	320	324	79	40	148	100	36	134	80	152	68	36
3	(N)ER2P030L	TBD	TBD	TBD	TBD	TBD	TBD	TBD	TBD	TBD	TBD	TBD	TBD	TBD
3	(N)ER2P030C	830	320	324	79	45	148	100	36	134	80	152	68	36
5	(N)ER2P050L	840	297	400	53	47	169	118	47	144	81	178	88	54

IMPERIAL SPECIFICATIONS - DUAL SPEED HOIST WITH GEARED OR PUSH TROLLEY

Cap. (Tons)	Product Code	Standard Lift (ft)	Push Button Cord L (ft)	Lifting Speed (ft/min)	Lifting Motor** 3 Phase 60 Hz			Flange Width Adjustability B (in)		Minimum* Allow. Radius for curve (in)	Load Chain Diameter (mm) x Chain Fall Lines	Net Weight (lbs)		Weight for Additional One Foot of Lift (lbs)
					Output (Hp)	Rated Current (amps)		Standard	Optional			NER	ER	
						@208 - 230V	@460V							
1/8	(N)ER2P(ER2G)001HD	10	8.2	55/9	0.75	3.6	1.8	2.28 to 4.00 (2.28 to 5.00)	4.01 to 8.00 (5.01 to 8.00) OR 8.01 to 12.00	43.3 (51.2)	4.3 x 1	71 (88)	75 (92)	0.28 (.94)
1/4	(N)ER2P(ER2G)003SD			36/6	0.75	3.6	1.8				4.3 x 1	71 (88)	75 (92)	0.28 (.94)
1/4	(N)ER2P(ER2G)003HD			53/9	1.2	5.1	2.7				6.0 x 1	88 (106)	93 (110)	0.54 (1.1)
1/2	(N)ER2P(ER2G)005LD			15/2.5	0.75	3.6	1.8				6.0 x 1	80 (97)	90 (106)	0.54 (1.1)
1/2	(N)ER2P(ER2G)005SD			29/5	1.2	5.1	2.7				6.0 x 1	88 (106)	93 (110)	0.54 (1.1)
1	(N)ER2P(ER2G)010LD			14/2.5	1.2	5.1	2.7	2.28 to 5.00	5.01 to 8.00 OR 8.01 to 12.00	51.2	7.7 x 1	117 (126)	126 (135)	0.89 (1.6)
1	(N)ER2P(ER2G)010SD			28/4.5	2.4	9.1	4.5				7.7 x 1	132 (141)	135 (143)	0.89 (1.6)
1 1/2	(N)ER2P(ER2G)015SD			18/3	2.4	9.1	4.5	3.23 to 6.02	6.03 to 12.00	59.1	10.2 x 1	187 (196)	203 (212)	1.6 (2.2)
2	(N)ER2P(ER2G)020CD			7/1	1.2	5.1	2.7				7.7 x 2	154 (165)	163 (174)	1.8 (2.4)
2	(N)ER2P(ER2G)020LD			14/2.5	2.4	9.1	4.5				10.2 x 1	190 (198)	203 (212)	1.6 (2.2)
2	(N)ER2P(ER2G)020SD			28/4.5	4.7	17.3	8.3			10.2 x 1	227 (236)	234 (243)	1.6 (2.2)	
2 1/2	(N)ER2P(ER2G)025SD			22/3.5	4.7	17.3	8.3			66.9	11.2 x 1	271 (280)	284 (293)	1.9 (2.5)
3	(N)ER2P(ER2G)030LD			TBD	TBD	TBD	TBD	3.94 to 7.02	7.03 to 12.00	90.6	TBD	TBD	TBD	TBD
3	(N)ER2P(ER2G)030CD			17/3	4.7	17.3	8.3				10.2 x 2	280 (289)	287 (295)	3.2 (3.8)
5	(N)ER2P(ER2G)050LD			11/2	4.7	17.3	8.3				11.2 x 2	390 (406)	404 (419)	3.8 (4.4)

Figures in parentheses are data for geared trolley.

*Minimum Flange Width for curved beam: 1 Ton Push and 1/8 to 1 Ton Geared = 2.87 in.
3 Ton Push or Geared = 3.50 in.

Although 208/230 & 460 Volts are shown, voltage can **NOT be changed, due to electrical components being voltage specific.

IMPERIAL DIMENSIONS - DUAL SPEED HOIST WITH GEARED TROLLEY

Cap. (Tons)	Product Code	Headroom C (in)	E (ft)	a (in)	b (in)	e (in)	g (in)	h (in)	i (in)	j (in)	k (in)	k' (in)	m (in)	n (in)	r (in)	t (in)	u (in)
1/8	(N)ER2G001HD	16.3	10.5	13.6	9.3	6.0	1.1	4.2	2.80	1.1	3.7	4.2	2.2	4.4	1.9	0.98	7.2
1/4	(N)ER2G003SD	16.3	10.5	13.6	9.3	6.0	1.1	4.2	2.80	1.1	3.7	4.2	2.2	4.4	1.9	0.98	7.2
1/4	(N)ER2G003HD	17.1	10.5	13.6	9.3	6.0	1.1	4.2	2.80	1.1	3.7	4.2	2.2	4.4	1.9	0.98	7.2
1/2	(N)ER2G005LD	17.1	10.5	13.6	9.3	6.0	1.1	4.2	2.80	1.1	3.7	4.2	2.2	4.4	1.9	0.98	7.2
1/2	(N)ER2G005SD	17.1	10.5	13.6	9.3	6.0	1.1	4.2	2.80	1.1	3.7	4.2	2.2	4.4	1.9	0.98	7.2
1	(N)ER2G010LD	18.5	10.5	13.6	9.3	6.0	1.2	4.2	2.80	1.1	3.7	4.2	2.2	4.4	1.9	0.98	7.2
1	(N)ER2G010SD	18.5	10.5	13.6	9.3	6.0	1.2	4.2	2.80	1.1	3.7	4.2	2.2	4.4	1.9	0.98	7.2
1 1/2	(N)ER2G015SD	22.4	10.5	15.2	11.0	6.1	1.4	5.0	3.35	1.4	4.4	4.3	2.8	5.2	2.4	1.26	7.2
2	(N)ER2G020CD	27.0	10.5	15.2	11.0	6.1	1.5	5.0	3.35	1.4	4.4	4.3	2.8	5.2	2.4	1.26	7.2
2	(N)ER2G020LD	25.0	10.5	15.2	11.0	6.1	1.6	5.0	3.35	1.4	4.4	4.3	2.8	5.2	2.4	1.26	7.2
2	(N)ER2G020SD	25.6	10.5	15.2	11.0	6.1	1.6	5.0	3.35	1.4	4.4	4.3	2.8	5.2	2.4	1.26	7.2
2 1/2	(N)ER2G025SD	26.8	11.0	15.7	12.8	6.2	1.6	5.8	3.94	1.4	5.3	4.5	3.1	6.0	2.7	1.42	7.2
3	(N)ER2G030LD	TBD	TBD	TBD	TBD	TBD	TBD	TBD	TBD	TBD	TBD	TBD	TBD	TBD	TBD	TBD	TBD
3	(N)ER2G030CD	32.7	11.0	15.7	12.8	6.2	1.8	5.8	3.94	1.4	5.3	4.5	3.1	6.0	2.7	1.42	7.2
5	(N)ER2G050LD	33.1	11.5	15.8	15.7	6.2	1.9	6.7	4.65	1.8	5.6	5.1	3.2	7.0	3.4	2.13	7.2

IMPERIAL DIMENSIONS - DUAL SPEED HOIST WITH PUSH TROLLEY

Cap. (Tons)	Product Code	Headroom C (in)	a (in)	b (in)	e (in)	g (in)	h (in)	i (in)	j (in)	k (in)	m (in)	n (in)	r (in)	t (in)
1/8	(N)ER2P001HD	15.6	8.0	7.2	1.8	1.1	3.2	2.36	0.8	3.0	1.9	3.3	1.5	0.87
1/4	(N)ER2P003SD	15.6	8.0	7.2	1.8	1.1	3.2	2.36	0.8	3.0	1.9	3.3	1.5	0.87
1/4	(N)ER2P003HD	16.3	8.0	7.2	1.8	1.1	3.2	2.36	0.8	3.0	1.9	3.3	1.5	0.87
1/2	(N)ER2P005LD	16.3	8.0	7.2	1.8	1.1	3.2	2.36	0.8	3.0	1.9	3.3	1.5	0.87
1/2	(N)ER2P005SD	16.3	8.0	7.2	1.8	1.1	3.2	2.36	0.8	3.0	1.9	3.3	1.5	0.87
1	(N)ER2P010LD	18.5	9.8	9.3	2.2	1.2	4.2	2.80	1.1	3.7	2.2	4.4	2.0	0.98
1	(N)ER2P010SD	18.5	9.8	9.3	2.2	1.2	4.2	2.80	1.1	3.7	2.2	4.4	2.0	0.98
1 1/2	(N)ER2P015SD	22.4	11.8	11.0	2.7	1.4	5.0	3.35	1.4	4.4	2.8	5.2	2.4	1.26
2	(N)ER2P020CD	27.4	11.8	11.0	2.7	1.5	5.0	3.35	1.4	4.4	2.8	5.2	2.4	1.26
2	(N)ER2P020LD	25.0	11.8	11.0	2.7	1.6	5.0	3.35	1.4	4.4	2.8	5.2	2.4	1.26
2	(N)ER2P020SD	25.6	11.8	11.0	2.7	1.6	5.0	3.35	1.4	4.4	2.8	5.2	2.4	1.26
2 1/2	(N)ER2P025SD	26.8	12.6	12.8	3.1	1.6	5.8	3.94	1.4	5.3	3.1	6.0	2.7	1.42
3	(N)ER2P030LD	TBD	TBD	TBD	TBD	TBD	TBD	TBD	TBD	TBD	TBD	TBD	TBD	TBD
3	(N)ER2P030CD	32.7	12.6	12.8	3.1	1.8	5.8	3.94	1.4	5.3	3.1	6.0	2.7	1.42
5	(N)ER2P050LD	33.1	11.7	15.7	2.1	1.9	6.7	4.65	1.8	5.6	3.2	7.0	3.4	2.13

METRIC SPECIFICATIONS - DUAL SPEED HOIST WITH GEARED OR PUSH TROLLEY

Cap. (Tons)	Product Code	Standard Lift (m)	Push Button Cord L (m)	Lifting Speed (m/min)	Lifting Motor** 3 Phase 60 Hz			Flange Width Adjustability B (mm)		Minimum* Allow. Radius for curve (mm)	Load Chain Diameter (mm) x Chain Fall Lines	Net Weight (kg)		Weight for Additional One Meter of Lift (kg)
					Output (kW)	Rated Current (amps)		Standard	Optional			NER	ER	
						@208 - 230V	@460V							
1/8	(N)ER2P(ER2G)001HD	3.0	2.5	16.8/2.7	0.56	3.6	1.8	58 to 102 (58 to 127)	103 to 203 (128 to 203) OR 204 to 305	1100 (1300)	4.3 x 1	32 (40)	34 (42)	0.42 (1.4)
1/4	(N)ER2P(ER2G)003SD			11.0/1.8	0.56	3.6	1.8				4.3 x 1	32 (40)	34 (42)	0.42 (1.4)
1/4	(N)ER2P(ER2G)003HD			16.2/2.7	0.9	5.1	2.7				6.0 x 1	40 (48)	42 (50)	0.81 (1.7)
1/2	(N)ER2P(ER2G)005LD			4.6/1.8	0.56	3.6	1.8				6.0 x 1	36 (44)	41 (48)	0.81 (1.7)
1/2	(N)ER2P(ER2G)005SD			8.8/1.5	0.9	5.1	2.7				6.0 x 1	40 (48)	42 (50)	0.81 (1.7)
1	(N)ER2P(ER2G)010LD			4.3/1.7	0.9	5.1	2.7	58 to 127	128 to 203 OR 204 to 305	1300	7.7 x 1	53 (57)	57 (61)	1.33 (2.3)
1	(N)ER2P(ER2G)010SD			8.5/1.4	1.8	9.1	4.5				7.7 x 1	60 (64)	61 (65)	1.33 (2.3)
1 1/2	(N)ER2P(ER2G)015SD			5.5/1.9	1.8	9.1	4.5	82 to 153	154 to 305	1500	10.2 x 1	85 (89)	92 (96)	2.3 (3.2)
2	(N)ER2P(ER2G)020CD			2.1/1.3	0.9	5.1	2.7				7.7 x 2	70 (75)	74 (79)	2.7 (3.6)
2	(N)ER2P(ER2G)020LD			4.3/1.7	1.8	9.1	4.5				10.2 x 1	86 (90)	92 (96)	2.3 (3.2)
2	(N)ER2P(ER2G)020SD			8.5/1.4	3.5	17.3	8.3				10.2 x 1	103 (107)	106 (110)	2.3 (3.2)
2 1/2	(N)ER2P(ER2G)025SD			6.7/1.1	3.5	17.3	8.3				11.2 x 1	123 (127)	129 (133)	2.8 (3.7)
3	(N)ER2P(ER2G)030LD			TBD	TBD	TBD	TBD	1700	TBD	TBD	TBD	TBD		
3	(N)ER2P(ER2G)030CD			5.2/1.9	3.5	17.3	8.3		10.2 x 2	127 (131)	130 (134)	4.7 (5.6)		
5	(N)ER2P(ER2G)050LD			3.4/1.6	3.5	17.3	8.3		100 to 178	179 to 305	2300	11.2 x 2	177 (184)	183 (190)

Figures in parentheses are data for geared trolley.

*Minimum Flange Width for curved beam: 1 Ton Push and 1/8 to 1 Ton Geared = 73 mm
3 Ton Push or Geared = 89 mm

Although 208/230 & 460 Volts are shown, voltage can **NOT be changed, due to electrical components being voltage specific.

METRIC DIMENSIONS - DUAL SPEED HOIST WITH GEARED TROLLEY

Cap. (Tons)	Product Code	Headroom C (mm)	E (m)	a (mm)	b (mm)	e (mm)	g (mm)	h (mm)	i (mm)	j (mm)	k (mm)	k' (mm)	m (mm)	n (mm)	r (mm)	t (mm)	u (mm)
1/8	(N)ER2G001HD	415	3.2	345	236	152	27	106	71	29	95	106	56	112	50	25	183
1/4	(N)ER2G003SD	415	3.2	345	236	152	27	106	71	29	95	106	56	112	50	25	183
1/4	(N)ER2G003HD	435	3.2	345	236	152	27	106	71	29	95	106	56	112	50	25	183
1/2	(N)ER2G005LD	435	3.2	345	236	152	27	106	71	29	95	106	56	112	50	25	183
1/2	(N)ER2G005SD	435	3.2	345	236	152	27	106	71	29	95	106	56	112	50	25	183
1	(N)ER2G010LD	470	3.2	345	236	152	31	106	71	29	95	106	56	112	50	25	183
1	(N)ER2G010SD	470	3.2	345	236	152	31	106	71	29	95	106	56	112	50	25	183
1 1/2	(N)ER2G015SD	570	3.2	385	280	154	35	127	85	35	112	109	71	131	62	32	183
2	(N)ER2G020CD	695	3.2	385	280	154	37	127	85	35	112	109	71	131	62	32	183
2	(N)ER2G020LD	635	3.2	385	280	154	40	127	85	35	112	109	71	131	62	32	183
2	(N)ER2G020SD	650	3.2	385	280	154	40	127	85	35	112	109	71	131	62	32	183
2 1/2	(N)ER2G025SD	680	3.4	398	324	157	40	148	100	36	134	114	80	152	68	36	183
3	(N)ER2G030LD	TBD	TBD	TBD	TBD	TBD	TBD	TBD	TBD	TBD	TBD	TBD	TBD	TBD	TBD	TBD	TBD
3	(N)ER2G030CD	830	3.4	398	324	157	45	148	100	36	134	114	80	152	68	36	183
5	(N)ER2G050LD	840	3.5	401	400	157	47	169	118	46	144	130	81	178	88	54	183

METRIC DIMENSIONS - DUAL SPEED HOIST WITH PUSH TROLLEY

Cap. (Tons)	Product Code	Headroom C (mm)	a (mm)	b (mm)	e (mm)	g (mm)	h (mm)	i (mm)	j (mm)	k (mm)	m (mm)	n (mm)	r (mm)	t (mm)
1/8	(N)ER2P001HD	395	204	182	46	27	82	60	22	76	48	84	38	22
1/4	(N)ER2P003SD	395	204	182	46	27	82	60	22	76	48	84	38	22
1/4	(N)ER2P003HD	415	204	182	46	27	82	60	22	76	48	84	38	22
1/2	(N)ER2P005LD	415	204	182	46	27	82	60	22	76	48	84	38	22
1/2	(N)ER2P005SD	415	204	182	46	27	82	60	22	76	48	84	38	22
1	(N)ER2P010LD	470	249	236	56	31	106	71	28	95	56	112	50	25
1	(N)ER2P010SD	470	249	236	56	31	106	71	28	95	56	112	50	25
1 1/2	(N)ER2P015SD	570	300	280	69	35	127	85	35	112	71	131	62	32
2	(N)ER2P020CD	695	300	280	69	37	127	85	35	112	71	131	62	32
2	(N)ER2P020LD	635	300	280	69	40	127	85	35	112	71	131	62	32
2	(N)ER2P020SD	650	300	280	69	40	127	85	35	112	71	131	62	32
2 1/2	(N)ER2P025SD	680	320	324	79	40	148	100	36	134	80	152	68	36
3	(N)ER2P030LD	TBD	TBD	TBD	TBD	TBD	TBD	TBD	TBD	TBD	TBD	TBD	TBD	TBD
3	(N)ER2P030CD	830	320	324	79	45	148	100	36	134	80	152	68	36
5	(N)ER2P050LD	840	297	400	53	47	169	118	47	144	81	178	88	54

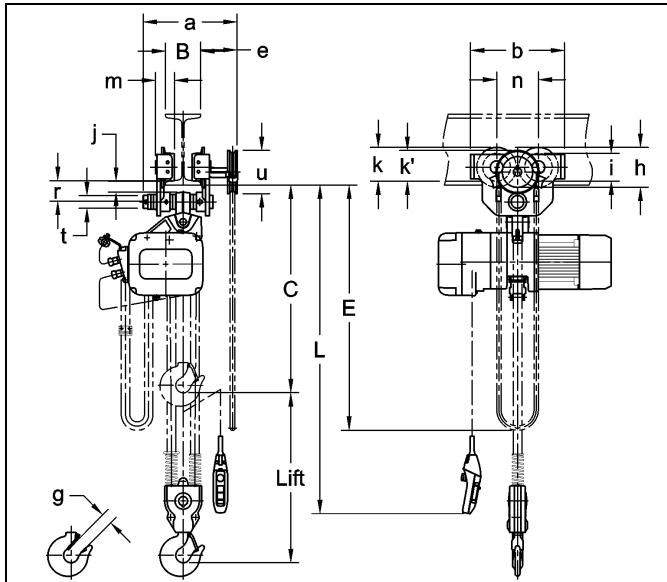


Figure 1 - NER2G050L

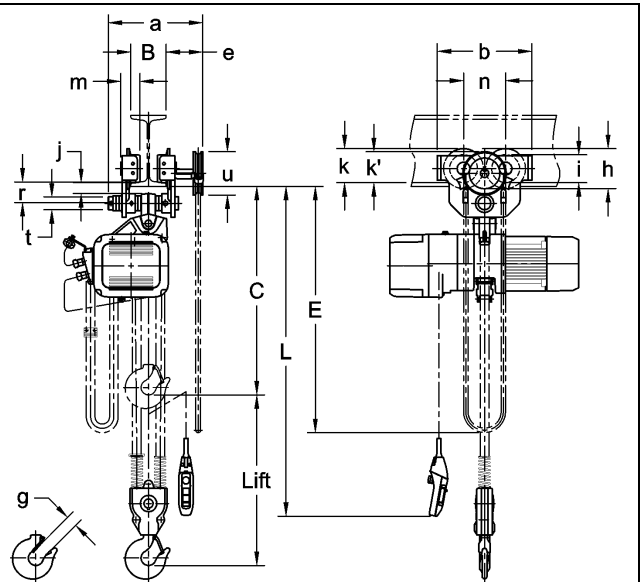


Figure 2 - NER2G050LD

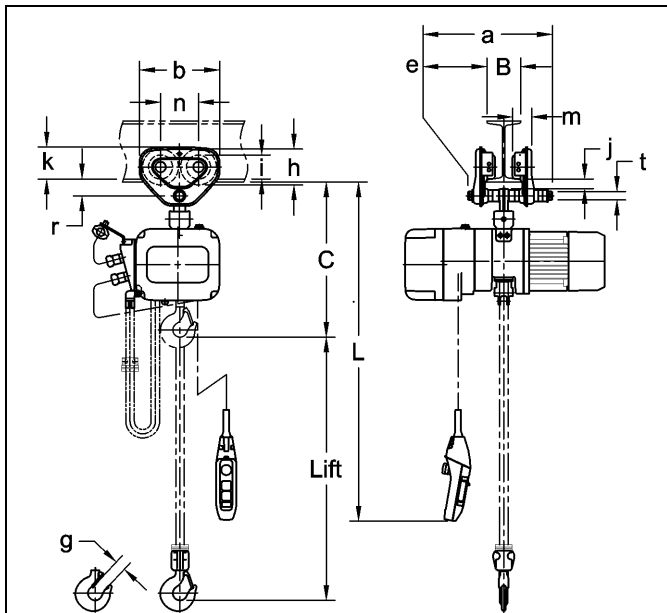


Figure 3 - NER2P010L

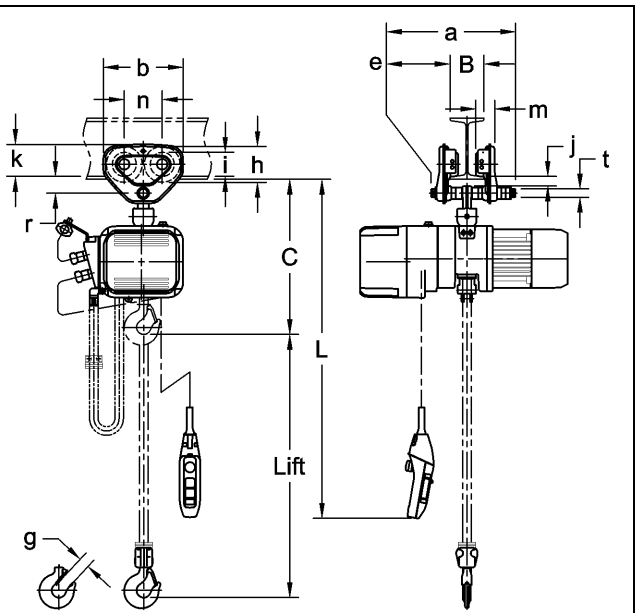


Figure 4 - NER2P010LD

END