



# ER2M Electric Chain Hoist with Motorized Trolley

## Models ER2A and MR2A

### Specifications and Dimensions

#### PURPOSE

To provide dimension and specification information for hook mount, single and dual speed ER2M & NER2M model electric chain hoist.

#### IMPERIAL SPECIFICATIONS - SINGLE SPEED HOIST WITH SINGLE SPEED TROLLEY

Cap. (Tons)	Product Code	Std. Lift (ft)	Push Button Cord L (ft)	Lifting Speed (ft/min)	Traversing Speed (ft/min)	Lifting Motor 3 Phase 60 Hz			Traversing Motor 3 Phase 60 Hz			Flange Width Adjustability B (in)		Minimum Allow. Radius for curve (in)	Load Chain Diameter (mm) x Chain Fall Lines	Net Weight (lbs)		Weight for Additional One Foot of Lift (lbs)
						Output (Hp)	Rated Current (amps)		Output (Hp)	Rated Current (amps)		Standard	Optional			NER	ER	
							@208 - 230V	@460V		@208 - 230V	@460V							
1/8	(N)ER2M001H-L/S	10	8.2	55	L = 40 S = 80	0.75	3.4	1.7	0.54	3.2	1.6	2.28 to 5.00	5.01 to 6.02 OR 6.03 to 12.00	31.5*	4.3 x 1	128	130	0.28
1/4	(N)ER2M003S-L/S			36		0.75	3.4	1.7	0.54	3.2	1.6				4.3 x 1	128	130	0.28
1/4	(N)ER2M003H-L/S			53		1.2	4.8	2.5	0.54	3.2	1.6				6.0 x 1	148	150	0.54
1/2	(N)ER2M005L-L/S			15		0.75	3.4	1.7	0.54	3.2	1.6				6.0 x 1	139	146	0.54
1/2	(N)ER2M005S-L/S			29		1.2	4.8	2.5	0.54	3.2	1.6				6.0 x 1	148	150	0.54
1	(N)ER2M010L-L/S			14		1.2	4.8	2.5	0.54	3.2	1.6				7.7 x 1	170	176	0.89
1	(N)ER2M010S-L/S			28		2.4	8.6	4.2	0.54	3.2	1.6	7.7 x 1	185	185	0.89			
1 1/2	(N)ER2M015S-L/S			18		2.4	8.6	4.2	0.54	3.2	1.6	3.23 to 6.02	6.03 to 7.02 OR 7.03 to 12.00	31.5**	10.2 x 1	243	254	1.6
2	(N)ER2M020C-L/S			7		1.2	4.8	2.5	0.54	3.2	1.6				7.7 x 2	214	218	1.8
2	(N)ER2M020L-L/S			14		2.4	8.6	4.2	0.54	3.2	1.6				10.2 x 1	245	256	1.6
2	(N)ER2M020S-L/S			28		4.7	16.4	7.9	0.54	3.2	1.6				10.2 x 1	284	282	1.6
2 1/2	(N)ER2M025S-L/S			22		4.7	16.4	7.9	0.54	3.2	1.6				11.2 x 1	333	331	1.9
3	(N)ER2M030L-L/S			TBD		TBD	TBD	TBD	TBD	TBD	TBD				39.4	TBD	TBD	TBD
3	(N)ER2M030C-L/S			17		4.7	16.4	7.9	0.54	3.2	1.6	10.2 x 2	340	340	3.2			
5	(N)ER2M050L-L/S	9.2	11	4.7	16.4	7.9	1.0	5.1	2.5	3.94 to 7.01	7.02 to 7.60 OR 7.61 to 12.00	70.9	11.2 x 2	443	439	3.8		

\*Flange widths smaller than 4 inches will have a minimum radius of 137.8 inches.

\*\*Flange widths smaller than 5 inches will have a minimum radius of 39.4 inches.

#### IMPERIAL DIMENSIONS - SINGLE SPEED HOIST WITH SINGLE SPEED TROLLEY

Cap. (Tons)	Product Code	Headroom C (in)	b (in)	b' (in)	d (in)	e (in)	e' (in)	g (in)	i (in)	j (in)	k (in)	m (in)	n (in)	r (in)	t (in)	u (in)
1/8	(N)ER2M001H-L/S	14.8	12.4	15.6	8.7	20.3	7.1	1.1	3.74	0.9	5.1	8.1	4.3	2.0	1.22	3.3
1/4	(N)ER2M003S-L/S	14.8	12.4	15.6	8.7	20.3	7.1	1.1	3.74	0.9	5.1	8.1	4.3	2.0	1.22	3.3
1/4	(N)ER2M003H-L/S	15.6	12.4	15.6	8.7	20.3	7.1	1.1	3.74	0.9	5.1	8.1	4.3	2.0	1.22	3.3
1/2	(N)ER2M005L-L/S	15.6	12.4	15.6	8.7	20.3	7.1	1.1	3.74	0.9	5.1	8.1	4.3	2.0	1.22	3.3
1/2	(N)ER2M005S-L/S	15.6	12.4	15.6	8.7	20.3	7.1	1.1	3.74	0.9	5.1	8.1	4.3	2.0	1.22	3.3
1	(N)ER2M010L-L/S	17.1	12.4	15.6	8.7	20.3	7.1	1.2	3.74	0.9	5.1	8.1	4.3	2.0	1.22	3.3
1	(N)ER2M010S-L/S	17.1	12.4	15.6	8.7	20.3	7.1	1.2	3.74	0.9	5.1	8.1	4.3	2.0	1.22	3.3
1 1/2	(N)ER2M015S-L/S	19.9	12.8	16.4	8.8	20.5	7.3	1.4	4.33	1.1	4.9	8.3	4.6	2.4	1.42	3.0
2	(N)ER2M020C-L/S	27.2	12.8	16.4	8.8	20.5	7.3	1.5	4.33	1.1	4.9	8.3	4.6	2.4	1.42	3.0
2	(N)ER2M020L-L/S	22.4	12.8	16.4	8.8	20.5	7.3	1.6	4.33	1.1	4.9	8.3	4.6	2.4	1.42	3.0
2	(N)ER2M020S-L/S	23.0	12.8	16.4	8.8	20.5	7.3	1.6	4.33	1.1	4.9	8.3	4.6	2.4	1.42	3.0
2 1/2	(N)ER2M025S-L/S	24.4	13.4	17.4	8.9	20.5	7.3	1.6	4.92	1.1	5.2	8.5	5.2	2.7	1.69	2.8
3	(N)ER2M030L-L/S	TBD	TBD	TBD	TBD	TBD	TBD	TBD	TBD	TBD	TBD	TBD	TBD	TBD	TBD	TBD
3	(N)ER2M030C-L/S	32.9	13.4	17.4	8.9	20.5	7.3	1.8	4.92	1.1	5.2	8.5	5.2	2.7	1.69	2.8
5	(N)ER2M050L-L/S	33.1	15.7	19.8	11.0	20.8	7.6	1.9	5.51	1.7	5.7	9.2	5.9	3.4	2.13	2.2

GENERAL USE  
EDOC0406

### METRIC SPECIFICATIONS - SINGLE SPEED HOIST WITH SINGLE SPEED TROLLEY

Cap. (Tons)	Product Code	Std. Lift (m)	Push Button Cord L (m)	Lifting Speed (m/min)	Traversing Speed (m/min)	Lifting Motor 3 Phase 60 Hz			Traversing Motor 3 Phase 60 Hz			Flange Width Adjustability B (mm)		Minimum Allow. Radius for curve (mm)	Load Chain Diameter (mm) x Chain Fall Lines	Net Weight (kg)		Weight for Additional One Meter of Lift (kg)
						Output (kW)	Rated Current (amps)		Output (kW)	Rated Current (amps)		Standard	Optional			NER	ER	
							@208 - 230V	@460V		@208 - 230V	@460V							
1/8	(N)ER2M001H-L/S	3.0	2.5	16.8	L = 12.2 S = 24.4	0.56	3.4	1.7	0.4	3.2	1.6	58 to 127	128 to 153 OR 154 to 305	800*	4.3 x 1	58	59	0.42
1/4	(N)ER2M003S-L/S			11.0		0.56	3.4	1.7	0.4	3.2	1.6				4.3 x 1	58	59	0.42
1/4	(N)ER2M003H-L/S			16.2		0.9	4.8	2.5	0.4	3.2	1.6				6.0 x 1	67	68	0.81
1/2	(N)ER2M005L-L/S			4.6		0.56	3.4	1.7	0.4	3.2	1.6				6.0 x 1	63	66	0.81
1/2	(N)ER2M005S-L/S			8.8		0.9	4.8	2.5	0.4	3.2	1.6				6.0 x 1	67	68	0.81
1	(N)ER2M010L-L/S			4.3		0.9	4.8	2.5	0.4	3.2	1.6				7.7 x 1	77	80	1.33
1	(N)ER2M010S-L/S			8.5		1.8	8.6	4.2	0.4	3.2	1.6				7.7 x 1	84	84	1.33
1 1/2	(N)ER2M015S-L/S			5.5		1.8	8.6	4.2	0.4	3.2	1.6	82 to 153	154 to 178 OR 179 to 305	800**	10.2 x 1	110	115	2.3
2	(N)ER2M020C-L/S			2.1		0.9	4.8	2.5	0.4	3.2	1.6				7.7 x 2	97	99	2.7
2	(N)ER2M020L-L/S			4.3		1.8	8.6	4.2	0.4	3.2	1.6				10.2 x 1	111	116	2.3
2	(N)ER2M020S-L/S			8.5		3.5	16.4	7.9	0.4	3.2	1.6				10.2 x 1	129	128	2.3
2 1/2	(N)ER2M025S-L/S			6.7		3.5	16.4	7.9	0.4	3.2	1.6				11.2 x 1	151	150	2.8
3	(N)ER2M030L-L/S			TBD		TBD	TBD	TBD	TBD	TBD	TBD				TBD	TBD	TBD	TBD
3	(N)ER2M030C-L/S			5.2		3.5	16.4	7.9	0.4	3.2	1.6				10.2 x 2	154	154	4.7
5	(N)ER2M050L-L/S	2.8	3.4	3.5	16.4	7.9	0.75	5.1	2.5	100 to 178	179 to 193 OR 194 to 305	1800	11.2 x 2	201	199	5.6		

\*Flange widths smaller than 100mm will have a minimum radius of 3500mm.

\*\*Flange widths smaller than 150mm will have a minimum radius of 1000mm.

### METRIC DIMENSIONS - SINGLE SPEED HOIST WITH SINGLE SPEED TROLLEY

Cap. (Tons)	Product Code	Headroom C (mm)	b (mm)	b' (mm)	d (mm)	e (mm)	e' (mm)	g (mm)	i (mm)	j (mm)	k (mm)	m (mm)	n (mm)	r (mm)	t (mm)	u (mm)
1/8	(N)ER2M001H-L/S	375	315	397	220	515	179	27	95	22	130	205	109	51	31	83
1/4	(N)ER2M003S-L/S	375	315	397	220	515	179	27	95	22	130	205	109	51	31	83
1/4	(N)ER2M003H-L/S	395	315	397	220	515	179	27	95	22	130	205	109	51	31	83
1/2	(N)ER2M005L-L/S	395	315	397	220	515	179	27	95	22	130	205	109	51	31	83
1/2	(N)ER2M005S-L/S	395	315	397	220	515	179	27	95	22	130	205	109	51	31	83
1	(N)ER2M010L-L/S	435	315	397	220	515	179	31	95	22	130	205	109	51	31	83
1	(N)ER2M010S-L/S	435	315	397	220	515	179	31	95	22	130	205	109	51	31	83
1 1/2	(N)ER2M015S-L/S	505	325	417	225	520	185	35	110	27	125	212	118	60	36	76
2	(N)ER2M020C-L/S	690	325	417	225	520	185	37	110	27	125	212	118	60	36	76
2	(N)ER2M020L-L/S	570	325	417	225	520	185	40	110	27	125	212	118	60	36	76
2	(N)ER2M020S-L/S	585	325	417	225	520	185	40	110	27	125	212	118	60	36	76
2 1/2	(N)ER2M025S-L/S	620	340	442	226	521	186	40	125	29	131	215	132	68	43	70
3	(N)ER2M030L-L/S	TBD	TBD	TBD	TBD	TBD	TBD	TBD	TBD	TBD	TBD	TBD	TBD	TBD	TBD	TBD
3	(N)ER2M030C-L/S	835	340	442	226	521	186	45	125	29	131	215	132	68	43	70
5	(N)ER2M050L-L/S	840	400	502	281	528	192	47	140	44	145	233	150	86	54	56

### IMPERIAL SPECIFICATIONS - DUAL SPEED HOIST WITH SINGLE SPEED TROLLEY

Cap. (Tons)	Product Code	Std. Lift (ft)	Push Button Cord L (ft)	Lifting Speed (ft/min)	Traversing Speed (ft/min)	Lifting Motor*** 3 Phase 60 Hz			Traversing Motor 3 Phase 60 Hz			Flange Width Adjustability B (in)		Minimum Allow. Radius for curve (in)	Load Chain Diameter (mm) x Chain Fall Lines	Net Weight (lbs)		Weight for Additional One Foot of Lift (lbs)
						Output (Hp)	Rated Current (amps)		Output (Hp)	Rated Current (amps)		Standard	Optional			NER	ER	
							@208 - 230V	@460V		@208 - 230V	@460V							
1/8	(N)ER2M001HD-L/S	10	8.2	55/9	L = 40 S = 80	0.75	3.6	1.8	0.54	3.2	1.6	2.28 to 5.00	5.01 to 6.02 OR 6.03 to 12.00	31.5*	4.3 x 1	128	132	0.28
1/4	(N)ER2M003SD-L/S			36/6		0.75	3.6	1.8	0.54	3.2	1.6				4.3 x 1	128	132	0.28
1/4	(N)ER2M003HD-L/S			53/9		1.2	5.1	2.7	0.54	3.2	1.6				6.0 x 1	146	150	0.54
1/2	(N)ER2M005LD-L/S			15/2.5		0.75	3.6	1.8	0.54	3.2	1.6				6.0 x 1	137	146	0.54
1/2	(N)ER2M005SD-L/S			29/5		1.2	5.1	2.7	0.54	3.2	1.6				6.0 x 1	146	150	0.54
1	(N)ER2M010LD-L/S			14/2.5		1.2	5.1	2.7	0.54	3.2	1.6				7.7 x 1	166	174	0.89
1	(N)ER2M010SD-L/S			28/4.5		2.4	9.1	4.5	0.54	3.2	1.6	7.7 x 1	181	183	0.89			
1 1/2	(N)ER2M015SD-L/S			18/3		2.4	9.1	4.5	0.54	3.2	1.6	3.23 to 6.02	6.03 to 7.02 OR 7.03 to 12.00	31.5**	10.2 x 1	243	256	1.6
2	(N)ER2M020CD-L/S			7/1		1.2	5.1	2.7	0.54	3.2	1.6				7.7 x 2	207	216	1.8
2	(N)ER2M020LD-L/S			14/2.5		2.4	9.1	4.5	0.54	3.2	1.6				10.2 x 1	245	256	1.6
2	(N)ER2M020SD-L/S			28/4.5		4.7	17.3	8.3	0.54	3.2	1.6				10.2 x 1	280	286	1.6
2 1/2	(N)ER2M025SD-L/S			22/3.5		4.7	17.3	8.3	0.54	3.2	1.6				11.2 x 1	324	338	1.9
3	(N)ER2M030LD-L/S			TBD		TBD	TBD	TBD	TBD	TBD	TBD				TBD	TBD	TBD	TBD
3	(N)ER2M030CD-L/S			17/3		4.7	17.3	8.3	0.54	3.2	1.6	10.2 x 2	336	344	3.2			
5	(N)ER2M050LD-L/S	9.2	11/2	4.7	17.3	8.3	1.0	5.1	2.5	3.94 to 7.01	7.02 to 7.60 OR 7.61 to 12.00	70.9	11.2 x 2	434	448	3.8		

\*Flange widths smaller than 4 inches will have a minimum radius of 137.8 inches.

\*\*Flange widths smaller than 5 inches will have a minimum radius of 39.4 inches.

\*\*\*Although 208/230 & 460 Volts are shown, voltage can NOT be changed, due to electrical components being voltage specific.

### IMPERIAL DIMENSIONS - DUAL SPEED HOIST WITH SINGLE SPEED TROLLEY

Cap. (Tons)	Product Code	Headroom C (in)	b (in)	b' (in)	d (in)	e (in)	e' (in)	g (in)	i (in)	j (in)	k (in)	m (in)	n (in)	r (in)	t (in)	u (in)
1/8	(N)ER2M001HD-L/S	14.8	12.4	15.6	8.7	20.3	7.1	1.1	3.74	0.9	5.1	8.1	4.3	2.0	1.22	3.3
1/4	(N)ER2M003SD-L/S	14.8	12.4	15.6	8.7	20.3	7.1	1.1	3.74	0.9	5.1	8.1	4.3	2.0	1.22	3.3
1/4	(N)ER2M003HD-L/S	15.6	12.4	15.6	8.7	20.3	7.1	1.1	3.74	0.9	5.1	8.1	4.3	2.0	1.22	3.3
1/2	(N)ER2M005LD-L/S	15.6	12.4	15.6	8.7	20.3	7.1	1.1	3.74	0.9	5.1	8.1	4.3	2.0	1.22	3.3
1/2	(N)ER2M005SD-L/S	15.6	12.4	15.6	8.7	20.3	7.1	1.1	3.74	0.9	5.1	8.1	4.3	2.0	1.22	3.3
1	(N)ER2M010LD-L/S	17.1	12.4	15.6	8.7	20.3	7.1	1.2	3.74	0.9	5.1	8.1	4.3	2.0	1.22	3.3
1	(N)ER2M010SD-L/S	17.1	12.4	15.6	8.7	20.3	7.1	1.2	3.74	0.9	5.1	8.1	4.3	2.0	1.22	3.3
1 1/2	(N)ER2M015SD-L/S	19.9	12.8	16.4	8.8	20.5	7.3	1.4	4.33	1.1	4.9	8.3	4.6	2.4	1.42	3.0
2	(N)ER2M020CD-L/S	27.2	12.8	16.4	8.8	20.5	7.3	1.5	4.33	1.1	4.9	8.3	4.6	2.4	1.42	3.0
2	(N)ER2M020LD-L/S	22.4	12.8	16.4	8.8	20.5	7.3	1.6	4.33	1.1	4.9	8.3	4.6	2.4	1.42	3.0
2	(N)ER2M020SD-L/S	23.0	12.8	16.4	8.8	20.5	7.3	1.6	4.33	1.1	4.9	8.3	4.6	2.4	1.42	3.0
2 1/2	(N)ER2M025SD-L/S	24.4	13.4	17.4	8.9	20.5	7.3	1.6	4.92	1.1	5.2	8.5	5.2	2.7	1.69	2.8
3	(N)ER2M030LD-L/S	TBD	TBD	TBD	TBD	TBD	TBD	TBD	TBD	TBD	TBD	TBD	TBD	TBD	TBD	TBD
3	(N)ER2M030CD-L/S	32.9	13.4	17.4	8.9	20.5	7.3	1.8	4.92	1.1	5.2	8.5	5.2	2.7	1.69	2.8
5	(N)ER2M050LD-L/S	33.1	15.7	19.8	11.0	20.8	7.6	1.9	5.51	1.7	5.7	9.2	5.9	3.4	2.13	2.2

### METRIC SPECIFICATIONS - DUAL SPEED HOIST WITH SINGLE SPEED TROLLEY

Cap. (Tons)	Product Code	Std. Lift (m)	Push Button Cord L (m)	Lifting Speed (m/min)	Traversing Speed (m/min)	Lifting Motor*** 3 Phase 60 Hz			Traversing Motor 3 Phase 60 Hz			Flange Width Adjustability B (mm)		Minimum Allow. Radius for curve (mm)	Load Chain Diameter (mm) x Chain Fall Lines	Net Weight (kg)		Weight for Additional One Meter of Lift (kg)	
						Output (kW)	Rated Current (amps)		Output (kW)	Rated Current (amps)		Standard	Optional			NER	ER		
							@208 - 230V	@460V		@208 - 230V	@460V								
1/8	(N)ER2M001HD-L/S	3.0	2.5	16.8/2.7	L = 12.2 S = 24.4	0.56	3.6	1.8	0.4	3.2	1.6	58 to 127	128 to 153 OR 154 to 305	800*	4.3 x 1	58	60	0.42	
1/4	(N)ER2M003SD-L/S			11.0/1.8		0.56	3.6	1.8	0.4	3.2	1.6				4.3 x 1	58	60	0.42	
1/4	(N)ER2M003HD-L/S			16.2/2.7		0.9	5.1	2.7	0.4	3.2	1.6				6.0 x 1	66	68	0.81	
1/2	(N)ER2M005LD-L/S			4.6/0.8		0.56	3.6	1.8	0.4	3.2	1.6				6.0 x 1	62	66	0.81	
1/2	(N)ER2M005SD-L/S			8.8/1.5		0.9	5.1	2.7	0.4	3.2	1.6				6.0 x 1	66	68	0.81	
1	(N)ER2M010LD-L/S			4.3/0.7		0.9	5.1	2.7	0.4	3.2	1.6				7.7 x 1	75	79	1.33	
1	(N)ER2M010SD-L/S			8.5/1.4		1.8	9.1	4.5	0.4	3.2	1.6				7.7 x 1	82	83	1.33	
1 1/2	(N)ER2M015SD-L/S			5.5/0.9		1.8	9.1	4.5	0.4	3.2	1.6				82 to 153	154 to 178 OR 179 to 305	800**	10.2 x 1	110
2	(N)ER2M020CD-L/S			2.1/0.3		0.9	5.1	2.7	0.4	3.2	1.6	7.7 x 2	94	98				2.7	
2	(N)ER2M020LD-L/S			4.3/0.7		1.8	9.1	4.5	0.4	3.2	1.6	10.2 x 1	111	116				2.3	
2	(N)ER2M020SD-L/S			8.5/1.4		3.5	17.3	8.3	0.4	3.2	1.6	10.2 x 1	127	130				2.3	
2 1/2	(N)ER2M025SD-L/S			6.7/1.1		3.5	17.3	8.3	0.4	3.2	1.6	11.2 x 1	147	153				2.8	
3	(N)ER2M030LD-L/S			TBD		TBD	TBD	TBD	TBD	TBD	TBD	1000	TBD	TBD				TBD	
3	(N)ER2M030CD-L/S			5.2/0.9		3.5	17.3	8.3	0.4	3.2	1.6	10.2 x 2	152	156				4.7	
5	(N)ER2M050LD-L/S			2.8		3.4/0.6	3.5	17.3	8.3	0.75	5.1	2.5	100 to 178	179 to 193 OR 194 to 305				1800	11.2 x 2

\*Flange widths smaller than 100mm will have a minimum radius of 3500mm.

\*\*Flange widths smaller than 150mm will have a minimum radius of 1000mm.

\*\*\*Although 208/230 & 460 Volts are shown, voltage can NOT be changed, due to electrical components being voltage specific.

### METRIC DIMENSIONS - DUAL SPEED HOIST WITH SINGLE SPEED TROLLEY

Cap. (Tons)	Product Code	Headroom C (mm)	b (mm)	b' (mm)	d (mm)	e (mm)	e' (mm)	g (mm)	i (mm)	j (mm)	k (mm)	m (mm)	n (mm)	r (mm)	t (mm)	u (mm)
1/8	(N)ER2M001HD-L/S	375	315	397	220	515	179	27	95	22	130	205	109	51	31	83
1/4	(N)ER2M003SD-L/S	375	315	397	220	515	179	27	95	22	130	205	109	51	31	83
1/4	(N)ER2M003HD-L/S	395	315	397	220	515	179	27	95	22	130	205	109	51	31	83
1/2	(N)ER2M005LD-L/S	395	315	397	220	515	179	27	95	22	130	205	109	51	31	83
1/2	(N)ER2M005SD-L/S	395	315	397	220	515	179	27	95	22	130	205	109	51	31	83
1	(N)ER2M010LD-L/S	435	315	397	220	515	179	31	95	22	130	205	109	51	31	83
1	(N)ER2M010SD-L/S	435	315	397	220	515	179	31	95	22	130	205	109	51	31	83
1 1/2	(N)ER2M015SD-L/S	505	325	417	225	520	185	35	110	27	125	212	118	60	36	76
2	(N)ER2M020CD-L/S	690	325	417	225	520	185	37	110	27	125	212	118	60	36	76
2	(N)ER2M020LD-L/S	570	325	417	225	520	185	40	110	27	125	212	118	60	36	76
2	(N)ER2M020SD-L/S	585	325	417	225	520	185	40	110	27	125	212	118	60	36	76
2 1/2	(N)ER2M025SD-L/S	620	340	442	226	521	186	40	125	29	131	215	132	68	43	70
3	(N)ER2M030LD-L/S	TBD	TBD	TBD	TBD	TBD	TBD	TBD	TBD	TBD	TBD	TBD	TBD	TBD	TBD	TBD
3	(N)ER2M030CD-L/S	835	340	442	226	521	186	45	125	29	131	215	132	68	43	70
5	(N)ER2M050LD-L/S	840	400	502	281	528	192	47	140	44	145	233	150	86	54	56



# ER2M Electric Chain Hoist with Motorized Trolley

## Models ER2A and MR2A

### Specifications and Dimensions

#### IMPERIAL SPECIFICATIONS - DUAL SPEED HOIST WITH DUAL SPEED TROLLEY

Cap. (Tons)	Product Code	Std. Lift (ft)	Push Button Cord L (ft)	Lifting Speed (ft/min)	Traversing Speed (ft/min)	Lifting Motor*** 3 Phase 60 Hz			Traversing Motor*** 3 Phase 60 Hz			Flange Width Adjustability B (in)		Minimum Allow. Radius for curve (in)	Load Chain Diameter (mm) x Chain Fall Lines	Net Weight (lbs)		Weight for Additional One Foot of Lift (lbs)
						Output (Hp)	Rated Current (amps)		Output (Hp)	Rated Current (amps)		Standard	Optional			NER	ER	
							@208 - 230V	@460V		@208 - 230V	@460V							
1/8	(N)ER2M001HD-SD	10	8.2	55/9	80/13	0.75	3.6	1.8	0.54	3.4	1.7	2.28 to 5.00	5.01 to 6.02 OR 6.03 to 12.00	31.5*	4.3 x 1	130	135	0.28
1/4	(N)ER2M003SD-SD			36/6		0.75	3.6	1.8	0.54	3.4	1.7				4.3 x 1	130	135	0.28
1/4	(N)ER2M003HD-SD			53/9		1.2	5.1	2.7	0.54	3.4	1.7				6.0 x 1	150	154	0.54
1/2	(N)ER2M005LD-SD			15/2.5		0.75	3.6	1.8	0.54	3.4	1.7				6.0 x 1	141	150	0.54
1/2	(N)ER2M005SD-SD			29/5		1.2	5.1	2.7	0.54	3.4	1.7				6.0 x 1	150	154	0.54
1	(N)ER2M010LD-SD			14/2.5		1.2	5.1	2.7	0.54	3.4	1.7				7.7 x 1	170	179	0.89
1	(N)ER2M010SD-SD			28/4.5		2.4	9.1	4.5	0.54	3.4	1.7	7.7 x 1	185	187	0.89			
1 1/2	(N)ER2M015SD-SD			18/3		2.4	9.1	4.5	0.54	3.4	1.7	3.23 to 6.02	6.03 to 7.02 OR 7.03 to 12.00	31.5**	10.2 x 1	245	260	1.6
2	(N)ER2M020CD-SD			7/1		1.2	5.1	2.7	0.54	3.4	1.7				7.7 x 2	214	223	1.8
2	(N)ER2M020LD-SD			14/2.5		2.4	9.1	4.5	0.54	3.4	1.7				10.2 x 1	247	262	1.6
2	(N)ER2M020SD-SD			28/4.5		4.7	17.3	8.3	0.54	3.4	1.7				10.2 x 1	284	291	1.6
2 1/2	(N)ER2M025SD-SD			22/3.5		4.7	17.3	8.3	0.54	3.4	1.7				11.2 x 1	331	344	1.9
3	(N)ER2M030LD-SD			TBD		TBD	TBD	TBD	TBD	TBD	TBD				TBD	TBD	TBD	TBD
3	(N)ER2M030CD-SD			17/3		4.7	17.3	8.3	0.54	3.4	1.7	10.2 x 2	340	351	3.2			
5	(N)ER2M050LD-SD	9.2	11/2	4.7	17.3	8.3	1.0	5.4	2.4	3.94 to 7.01	7.02 to 7.60 OR 7.61 to 12.00	70.9	11.2 x 2	439	452	3.8		

\*Flange widths smaller than 4 inches will have a minimum radius of 137.8 inches.

\*\*Flange widths smaller than 5 inches will have a minimum radius of 39.4 inches.

\*\*\*Although 208/230 & 460 Volts are shown, voltage can NOT be changed, due to electrical components being voltage specific.

#### IMPERIAL DIMENSIONS - DUAL SPEED HOIST WITH DUAL SPEED TROLLEY

Cap. (Tons)	Product Code	Headroom C (in)	b (in)	b' (in)	d (in)	e (in)	e' (in)	g (in)	i (in)	j (in)	k (in)	m (in)	n (in)	r (in)	t (in)	u (in)
1/8	(N)ER2M001HD-SD	14.8	12.4	15.6	8.7	20.3	7.1	1.1	3.74	0.9	5.1	8.1	4.3	2.0	1.22	3.3
1/4	(N)ER2M003SD-SD	14.8	12.4	15.6	8.7	20.3	7.1	1.1	3.74	0.9	5.1	8.1	4.3	2.0	1.22	3.3
1/4	(N)ER2M003HD-SD	15.6	12.4	15.6	8.7	20.3	7.1	1.1	3.74	0.9	5.1	8.1	4.3	2.0	1.22	3.3
1/2	(N)ER2M005LD-SD	15.6	12.4	15.6	8.7	20.3	7.1	1.1	3.74	0.9	5.1	8.1	4.3	2.0	1.22	3.3
1/2	(N)ER2M005SD-SD	15.6	12.4	15.6	8.7	20.3	7.1	1.1	3.74	0.9	5.1	8.1	4.3	2.0	1.22	3.3
1	(N)ER2M010LD-SD	17.1	12.4	15.6	8.7	20.3	7.1	1.2	3.74	0.9	5.1	8.1	4.3	2.0	1.22	3.3
1	(N)ER2M010SD-SD	17.1	12.4	15.6	8.7	20.3	7.1	1.2	3.74	0.9	5.1	8.1	4.3	2.0	1.22	3.3
1 1/2	(N)ER2M015SD-SD	19.9	12.8	16.4	8.8	20.5	7.3	1.4	4.33	1.1	4.9	8.3	4.6	2.4	1.42	3.0
2	(N)ER2M020CD-SD	27.2	12.8	16.4	8.8	20.5	7.3	1.5	4.33	1.1	4.9	8.3	4.6	2.4	1.42	3.0
2	(N)ER2M020LD-SD	22.4	12.8	16.4	8.8	20.5	7.3	1.6	4.33	1.1	4.9	8.3	4.6	2.4	1.42	3.0
2	(N)ER2M020SD-SD	23.0	12.8	16.4	8.8	20.5	7.3	1.6	4.33	1.1	4.9	8.3	4.6	2.4	1.42	3.0
2 1/2	(N)ER2M025SD-SD	24.4	13.4	17.4	8.9	20.5	7.3	1.6	4.92	1.1	5.2	8.5	5.2	2.7	1.69	2.8
3	(N)ER2M030LD-SD	TBD	TBD	TBD	TBD	TBD	TBD	TBD	TBD	TBD	TBD	TBD	TBD	TBD	TBD	TBD
3	(N)ER2M030CD-SD	32.9	13.4	17.4	8.9	20.5	7.3	1.8	4.92	1.1	5.2	8.5	5.2	2.7	1.69	2.8
5	(N)ER2M050LD-SD	33.1	15.7	19.8	11.0	20.8	7.6	1.9	5.51	1.7	5.7	9.2	5.9	3.4	2.13	2.2

GENERAL USE  
EDOC0406

### METRIC SPECIFICATIONS - DUAL SPEED HOIST WITH DUAL SPEED TROLLEY

Cap. (Tons)	Product Code	Std. Lift (m)	Push Button Cord L (m)	Lifting Speed (m/min)	Traversing Speed (m/min)	Lifting Motor*** 3 Phase 60 Hz			Traversing Motor*** 3 Phase 60 Hz			Flange Width Adjustability B (mm)		Minimum Allow. Radius for curve (mm)	Load Chain Diameter (mm) x Chain Fall Lines	Net Weight (kg)		Weight for Additional One Meter of Lift (kg)			
						Output (kW)	Rated Current (amps)		Output (kW)	Rated Current (amps)		Standard	Optional			NER	ER				
							@208 - 230V	@460V		@208 - 230V	@460V										
1/8	(N)ER2M001HD-SD	3.0	2.5	16.8/2.7	24.4/4.0	0.56	3.6	1.8	0.4	3.4	1.7	58 to 127	128 to 153 OR 154 to 305	800*	4.3 x 1	59	61	0.42			
1/4	(N)ER2M003SD-SD			11.0/1.8		0.56	3.6	1.8	0.4	3.4	1.7				4.3 x 1	59	61	0.42			
1/4	(N)ER2M003HD-SD			16.2/2.7		0.9	5.1	2.7	0.4	3.4	1.7				6.0 x 1	68	70	0.81			
1/2	(N)ER2M005LD-SD			4.6/0.8		0.56	3.6	1.8	0.4	3.4	1.7				6.0 x 1	64	68	0.81			
1/2	(N)ER2M005SD-SD			8.8/1.5		0.9	5.1	2.7	0.4	3.4	1.7				6.0 x 1	68	70	0.81			
1	(N)ER2M010LD-SD			4.3/0.7		0.9	5.1	2.7	0.4	3.4	1.7				7.7 x 1	77	81	1.33			
1	(N)ER2M010SD-SD			8.5/1.4		1.8	9.1	4.5	0.4	3.4	1.7				7.7 x 1	84	85	1.33			
1 1/2	(N)ER2M015SD-SD			5.5/0.9		1.8	9.1	4.5	0.4	3.4	1.7				82 to 153	154 to 178 OR 179 to 305	800**	10.2 x 1	111	118	2.3
2	(N)ER2M020CD-SD			2.1/0.3		0.9	5.1	2.7	0.4	3.4	1.7							7.7 x 2	97	101	2.7
2	(N)ER2M020LD-SD			4.3/0.7		1.8	9.1	4.5	0.4	3.4	1.7							10.2 x 1	112	119	2.3
2	(N)ER2M020SD-SD			8.5/1.4		3.5	17.3	8.3	0.4	3.4	1.7							10.2 x 1	129	132	2.3
2 1/2	(N)ER2M025SD-SD			6.7/1.1		3.5	17.3	8.3	0.4	3.4	1.7							11.2 x 1	150	156	2.8
3	(N)ER2M030LD-SD			TBD		TBD	TBD	TBD	TBD	TBD	TBD							TBD	TBD	TBD	TBD
3	(N)ER2M030CD-SD			5.2/0.9		3.5	17.3	8.3	0.4	3.4	1.7							10.2 x 2	154	159	4.7
5	(N)ER2M050LD-SD	2.8	3.4/0.6	3.5	17.3	8.3	0.75	5.4	2.4	100 to 178	179 to 193 OR 194 to 305	1800	11.2 x 2	199				205	5.6		

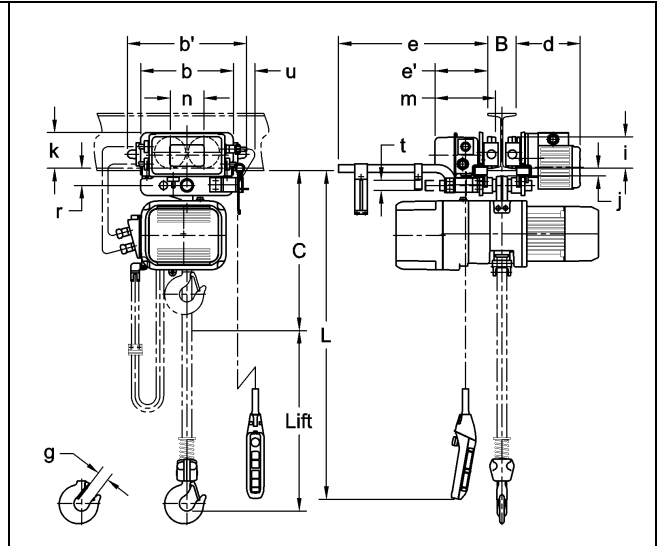
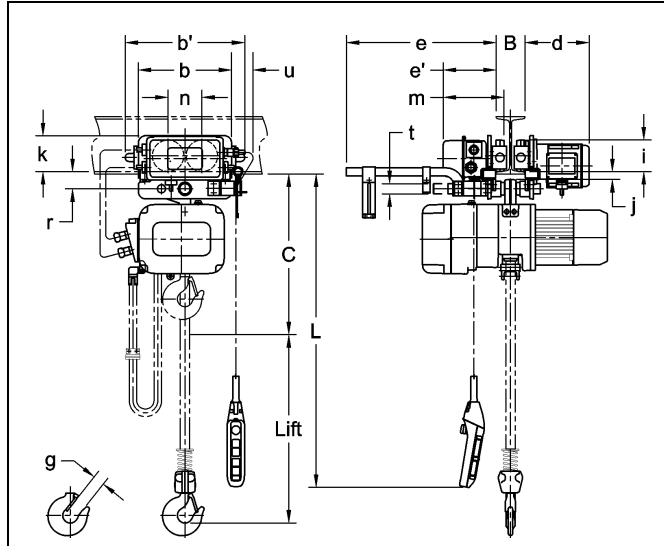
\*Flange widths smaller than 100mm will have a minimum radius of 3500mm.

\*\*Flange widths smaller than 150mm will have a minimum radius of 1000mm.

\*\*\*Although 208/230 & 460 Volts are shown, voltage can NOT be changed, due to electrical components being voltage specific.

### METRIC DIMENSIONS - DUAL SPEED HOIST WITH DUAL SPEED TROLLEY

Cap. (Tons)	Product Code	Headroom C (mm)	b (mm)	b' (mm)	d (mm)	e (mm)	e' (mm)	g (mm)	i (mm)	j (mm)	k (mm)	m (mm)	n (mm)	r (mm)	t (mm)	u (mm)
1/8	(N)ER2M001HD-SD	375	315	397	220	515	179	27	95	22	130	205	109	51	31	83
1/4	(N)ER2M003SD-SD	375	315	397	220	515	179	27	95	22	130	205	109	51	31	83
1/4	(N)ER2M003HD-SD	395	315	397	220	515	179	27	95	22	130	205	109	51	31	83
1/2	(N)ER2M005LD-SD	395	315	397	220	515	179	27	95	22	130	205	109	51	31	83
1/2	(N)ER2M005SD-SD	395	315	397	220	515	179	27	95	22	130	205	109	51	31	83
1	(N)ER2M010LD-SD	435	315	397	220	515	179	31	95	22	130	205	109	51	31	83
1	(N)ER2M010SD-SD	435	315	397	220	515	179	31	95	22	130	205	109	51	31	83
1 1/2	(N)ER2M015SD-SD	505	325	417	225	520	185	35	110	27	125	212	118	60	36	76
2	(N)ER2M020CD-SD	690	325	417	225	520	185	37	110	27	125	212	118	60	36	76
2	(N)ER2M020LD-SD	570	325	417	225	520	185	40	110	27	125	212	118	60	36	76
2	(N)ER2M020SD-SD	585	325	417	225	520	185	40	110	27	125	212	118	60	36	76
2 1/2	(N)ER2M025SD-SD	620	340	442	226	521	186	40	125	29	131	215	132	68	43	70
3	(N)ER2M030LD-SD	TBD	TBD	TBD	TBD	TBD	TBD	TBD	TBD	TBD	TBD	TBD	TBD	TBD	TBD	TBD
3	(N)ER2M030CD-SD	835	340	442	226	521	186	45	125	29	131	215	132	68	43	70
5	(N)ER2M050LD-SD	840	400	502	281	528	192	47	140	44	145	233	150	86	54	56



END