

PURPOSE

To provide dimension and specification information for hook mount, single and dual speed ER2 & NER2 model electric chain hoist

SINGLE SPEED IMPERIAL SPECIFICATIONS

Cap. (Tons)	Product Code	Standard Lift (ft)	Push Button Cord L (ft)	Lifting Speed (ft/min)	Lifting Motor 3 Phase 60 Hz			Load Chain Diameter (mm) x Chain Fall Lines	Net Weight (lbs)		Weight for Additional One Foot of Lift (lbs)
					Output (Hp)	Rated Current (amps)			NER	ER	
						@208 - 230V	@460V				
1/8	(N)ER2001H	10	8.2	55	0.75	3.4	1.7	4.3 x 1	60	62	0.28
1/4	(N)ER2003S			36	0.75	3.4	1.7	4.3 x 1	60	62	0.28
1/4	(N)ER2003H			53	1.2	4.8	2.5	6.0 x 1	79	82	0.54
1/2	(N)ER2005L			15	0.75	3.4	1.7	6.0 x 1	71	79	0.54
1/2	(N)ER2005S			29	1.2	4.8	2.5	6.0 x 1	79	82	0.54
1	(N)ER2010L			14	1.2	4.8	2.5	7.7 x 1	104	110	0.89
1	(N)ER2010S			28	2.4	8.6	4.2	7.7 x 1	119	119	0.89
1 1/2	(N)ER2015S			18	2.4	8.6	4.2	10.2 x 1	159	170	1.6
2	(N)ER2020C			7	1.2	4.8	2.5	7.7 x 2	130	134	1.8
2	(N)ER2020L			14	2.4	8.6	4.2	10.2 x 1	161	174	1.6
2	(N)ER2020S			28	4.7	16.4	7.9	10.2 x 1	201	198	1.6
2 1/2	(N)ER2025S			22	4.7	16.4	7.9	11.2 x 1	227	225	1.9
3	(N)ER2030L			TBD	TBD	TBD	TBD	TBD	TBD	TBD	TBD
3	(N)ER2030C			9.2	9.2	17	4.7	16.4	7.9	10.2 x 2	234
5	(N)ER2050L	11	4.7			16.4	7.9	11.2 x 2	289	284	3.8

SINGLE SPEED IMPERIAL DIMENSIONS

Cap. (Tons)	Product Code	Headroom C (in)	a (in)		b (in)		d (in)		e (in)		g (in)	h (in)	i (in)	
			NER	ER	NER	ER	NER	ER	NER	ER			NER	ER
1/8	(N)ER2001H	13.8	18.8	22.2	12.6	13.6	8.6	12.0	10.2	10.2	1.1	3.9	3.7	4.6
1/4	(N)ER2003S	13.8	18.8	22.2	12.6	13.6	8.6	12.0	10.2	10.2	1.1	3.9	3.7	4.6
1/4	(N)ER2003H	14.6	20.0	23.3	13.7	13.7	9.5	12.8	10.5	10.5	1.1	4.4	4.2	4.2
1/2	(N)ER2005L	14.6	20.2	23.5	13.7	13.7	9.5	12.8	10.6	10.7	1.1	4.4	4.2	4.2
1/2	(N)ER2005S	14.6	20.0	23.3	13.7	13.7	9.5	12.8	10.5	10.5	1.1	4.4	4.2	4.2
1	(N)ER2010L	16.9	23.2	24.9	14.8	14.8	11.4	13.1	11.7	11.8	1.2	5.1	4.6	4.6
1	(N)ER2010S	16.9	23.5	25.2	14.8	14.8	11.4	13.1	12.1	12.1	1.2	5.1	4.6	4.6
1 1/2	(N)ER2015S	20.1	25.4	29.0	16.8	16.8	12.1	15.6	13.3	13.4	1.4	6.3	5.4	5.4
2	(N)ER2020C	27.8	23.2	24.9	14.8	14.8	11.4	13.1	11.7	11.8	1.5	7.0	2.7	2.7
2	(N)ER2020L	22.6	25.4	29.0	16.8	16.8	12.1	15.6	13.3	13.4	1.6	6.3	5.4	5.4
2	(N)ER2020S	23.2	27.6	30.8	16.8	16.8	13.6	16.8	14.0	14.0	1.6	6.3	5.4	5.4
2 1/2	(N)ER2025S	24.6	28.9	32.5	17.5	17.5	13.2	16.8	15.7	15.7	1.6	6.8	5.6	5.6
3	(N)ER2030L	TBD	TBD	TBD	TBD	TBD	TBD	TBD	TBD	TBD	TBD	TBD	TBD	TBD
3	(N)ER2030C	30.9	27.6	30.8	16.8	16.8	13.6	16.8	14.0	14.0	1.8	8.5	3.2	3.2
5	(N)ER2050L	33.5	28.9	32.5	17.5	17.5	13.2	16.8	15.7	15.7	1.9	9.1	3.3	3.3

SINGLE SPEED METRIC SPECIFICATIONS

Cap. (Tons)	Product Code	Standard Lift (m)	Push Button Cord L (m)	Lifting Speed (m/min)	Lifting Motor 3 Phase 60 Hz			Load Chain Diameter (mm) x Chain Fall Lines	Net Weight (kg)		Weight for Additional One Meter of Lift (kg)
					Output (kW)	Rated Current (amps)			NER	ER	
						@208 - 230V	@460V				
1/8	(N)ER2001H	3.0	2.5	16.8	0.56	3.4	1.7	4.3 x 1	27	28	0.42
1/4	(N)ER2003S			11.0	0.56	3.4	1.7	4.3 x 1	27	28	0.42
1/4	(N)ER2003H			16.2	0.9	4.8	2.5	6.0 x 1	36	37	0.81
1/2	(N)ER2005L			4.6	0.56	3.4	1.7	6.0 x 1	32	36	0.81
1/2	(N)ER2005S			8.8	0.9	4.8	2.5	6.0 x 1	36	37	0.81
1	(N)ER2010L			4.3	0.9	4.8	2.5	7.7 x 1	47	50	1.33
1	(N)ER2010S			8.5	1.8	8.6	4.2	7.7 x 1	54	54	1.33
1 1/2	(N)ER2015S			5.5	1.8	8.6	4.2	10.2 x 1	72	77	2.3
2	(N)ER2020C			2.1	0.9	4.8	2.5	7.7 x 2	59	61	2.7
2	(N)ER2020L			4.3	1.8	8.6	4.2	10.2 x 1	73	79	2.3
2	(N)ER2020S			8.5	3.5	16.4	7.9	10.2 x 1	91	90	2.3
2 1/2	(N)ER2025S			6.7	3.5	16.4	7.9	11.2 x 1	103	102	2.8
3	(N)ER2030L			TBD	TBD	TBD	TBD	TBD	TBD	TBD	TBD
3	(N)ER2030C			5.2	3.5	16.4	7.9	10.2 x 2	106	106	4.7
5	(N)ER2050L			3.4	3.5	16.4	7.9	11.2 x 2	131	129	5.6

SINGLE SPEED METRIC DIMENSIONS

Cap. (Tons)	Product Code	Headroom C (mm)	a (mm)		b (mm)		d (mm)		e (mm)		g (mm)	h (mm)	i (mm)	
			NER	ER	NER	ER	NER	ER	NER	ER			NER	ER
1/8	(N)ER2001H	350	478	564	321	345	219	305	259	259	27	99	93	117
1/4	(N)ER2003S	350	478	564	321	345	219	305	259	259	27	99	93	117
1/4	(N)ER2003H	370	509	593	348	348	242	325	267	267	27	113	106	106
1/2	(N)ER2005L	370	513	598	348	348	242	325	270	273	27	113	106	106
1/2	(N)ER2005S	370	509	593	348	348	242	325	267	267	27	113	106	106
1	(N)ER2010L	430	589	632	376	376	291	332	298	300	31	129	118	118
1	(N)ER2010S	430	598	639	376	376	291	332	307	307	31	129	118	118
1 1/2	(N)ER2015S	510	646	738	427	427	308	397	338	341	35	161	138	138
2	(N)ER2020C	705	589	632	376	376	291	332	298	300	37	178	69	69
2	(N)ER2020L	575	646	738	427	427	308	397	338	341	40	161	138	138
2	(N)ER2020S	590	702	782	427	427	347	426	356	356	40	161	138	138
2 1/2	(N)ER2025S	625	735	826	445	445	337	427	399	399	40	174	143	143
3	(N)ER2030L	TBD	TBD	TBD	TBD	TBD	TBD	TBD	TBD	TBD	TBD	TBD	TBD	TBD
3	(N)ER2030C	785	702	782	427	427	347	426	356	356	45	216	82	82
5	(N)ER2050L	850	735	826	445	445	337	427	399	399	47	232	85	85

KITO AMERICAS METRIC SPECIFICATIONS – SINGLE SPEED

Cap. (Tons)	Product Code	Standard Lift (m)	Push Button Cord L (m)	Lifting Motor 3 Phase 60 Hz					Lifting Motor 3 Phase 50 Hz			Load Chain Diameter (mm) x Chain Fall Lines	Net Weight (kg)		Weight for Additional One Meter of Lift (kg)
				Lifting Speed (m/min)	Output (kW)	Rated Current (amps)			Lifting Speed (m/min)	Output (kW)	Rated Current (amps)		NER	ER	
						@208 - 230V	@380V	@460V							
125kg	(N)ER2001H	3.0	2.5	16.8	0.56	3.4	1.7	1.7	14.1	0.56	2.0	4.3 x 1	27	28	0.42
250kg	(N)ER2003S			11.0	0.56	3.4	1.7	1.7	9.1	0.56	2.0	4.3 x 1	27	28	0.42
250kg	(N)ER2003H			16.2	0.9	4.8	2.4	2.5	13.4	0.9	2.7	6.0 x 1	36	37	0.81
500kg	(N)ER2005L			4.6	0.56	3.4	1.7	1.7	3.8	0.56	2.0	6.0 x 1	32	36	0.81
500kg	(N)ER2005S			8.8	0.9	4.8	2.4	2.5	7.3	0.9	2.7	6.0 x 1	36	37	0.81
1	(N)ER2010L			4.3	0.9	4.8	2.4	2.5	3.5	0.9	2.7	7.7 x 1	47	50	1.33
1	(N)ER2010S			8.5	1.8	8.6	4.6	4.2	7.1	1.8	4.0	7.7 x 1	54	54	1.33
1.5	(N)ER2015S			5.5	1.8	8.6	4.6	4.2	4.5	1.8	4.0	10.2 x 1	72	77	2.3
2	(N)ER2020C			2.1	0.9	4.8	2.4	2.5	1.8	0.9	2.7	7.7 x 2	59	61	2.7
2	(N)ER2020L			4.3	1.8	8.6	4.6	4.2	3.7	1.8	4.0	10.2 x 1	73	79	2.3
2	(N)ER2020S			8.5	3.5	16.4	8.7	7.9	7.0	3.5	7.9	10.2 x 1	91	90	2.3
2.5	(N)ER2025S			6.7	3.5	16.4	8.7	7.9	5.7	3.5	7.9	11.2 x 1	103	102	2.8
3	(N)ER2030C			5.2	3.5	16.4	8.7	7.9	4.4	3.5	7.9	10.2 x 2	106	106	4.7
5	(N)ER2050L	3.4	3.5	16.4	8.7	7.9	2.9	3.5	7.9	11.2 x 2	131	129	5.6		

KITO AMERICAS METRIC DIMENSIONS - SINGLE SPEED

Cap. (Tons)	Product Code	Headroom C (mm)	a (mm)		b (mm)		d (mm)		e (mm)		g (mm)	h (mm)	i (mm)	
			NER	ER	NER	ER	NER	ER	NER	ER			NER	ER
125kg	(N)ER2001H	350	478	564	321	345	219	305	259	259	27	99	93	117
250kg	(N)ER2003S	350	478	564	321	345	219	305	259	259	27	99	93	117
250kg	(N)ER2003H	370	509	593	348	348	242	325	267	267	27	113	106	106
500kg	(N)ER2005L	370	513	598	348	348	242	325	270	273	27	113	106	106
500kg	(N)ER2005S	370	509	593	348	348	242	325	267	267	27	113	106	106
1	(N)ER2010L	430	589	632	376	376	291	332	298	300	31	129	118	118
1	(N)ER2010S	430	598	639	376	376	291	332	307	307	31	129	118	118
1.5	(N)ER2015S	510	646	738	427	427	308	397	338	341	35	161	138	138

2	(N)ER2020C	705	589	632	376	376	291	332	298	300	37	178	69	69
2	(N)ER2020L	575	646	738	427	427	308	397	338	341	40	161	138	138
2	(N)ER2020S	590	702	782	427	427	347	426	356	356	40	161	138	138
2.5	(N)ER2025S	625	735	826	445	445	337	427	399	399	40	174	143	143
3	(N)ER2030C	785	702	782	427	427	347	426	356	356	45	216	82	82
5	(N)ER2050L	850	735	826	445	445	337	427	399	399	47	232	85	85

DUAL SPEED IMPERIAL SPECIFICATIONS

Cap. (Tons)	Product Code	Standard Lift (ft)	Push Button Cord L (ft)	Lifting Speed (ft/min)	Lifting Motor 3 Phase 60 Hz*				Load Chain Diameter (mm) x Chain Fall Lines	Net Weight (lbs)		Weight for Additional One Foot of Lift (lbs)	
					Output (Hp)	Rated Current (amps)		NER		ER			
						@208 - 230V	@460V						
1/8	(N)ER2001HD	10	8.2	55/9	0.75	3.6	1.8	4.3 x 1	60	64	0.28		
1/4	(N)ER2003SD			36/6	0.75	3.6	1.8	4.3 x 1	60	64	0.28		
1/4	(N)ER2003HD			53/9	1.2	5.1	2.7	6.0 x 1	77	82	0.54		
1/2	(N)ER2005LD			15/2.5	0.75	3.6	1.8	6.0 x 1	68	79	0.54		
1/2	(N)ER2005SD			29/5	1.2	5.1	2.7	6.0 x 1	77	82	0.54		
1	(N)ER2010LD			14/2.5	1.2	5.1	2.7	7.7 x 1	99	108	0.89		
1	(N)ER2010SD			28/4.5	2.4	9.1	4.5	7.7 x 1	115	117	0.89		
1 1/2	(N)ER2015SD			18/3	2.4	9.1	4.5	10.2 x 1	159	172	1.6		
2	(N)ER2020CD			7/1	1.2	5.1	2.7	7.7 x 2	123	132	1.8		
2	(N)ER2020LD			14/2.5	2.4	9.1	4.5	10.2 x 1	161	174	1.6		
2	(N)ER2020SD			28/4.5	4.7	17.3	8.3	10.2 x 1	196	203	1.6		
2 1/2	(N)ER2025SD			22/3.5	4.7	17.3	8.3	11.2 x 1	218	231	1.9		
3	(N)ER2030LD			TBD	TBD	TBD	TBD	TBD	TBD	TBD	TBD		
3	(N)ER2030CD			9.2	9.2	17/3	4.7	17.3	8.3	10.2 x 2	229	238	3.2
5	(N)ER2050LD					11/2	4.7	17.3	8.3	11.2 x 2	280	293	3.8

*Although 208/230 & 460 Volts are shown, voltage can **NOT** be changed, due to electrical components being voltage specific.

DUAL SPEED IMPERIAL DIMENSIONS

Cap. (Tons)	Product Code	Headroom C (in)	a (in)		b (in)	d (in)		e (in)		g (in)	h (in)	i (in)
			NER	ER		NER	ER	NER	ER			
1/8	(N)ER2001HD	13.8	21.0	22.2	13.6	10.8	12.0	10.2	10.2	1.1	3.9	4.6
1/4	(N)ER2003SD	13.8	21.0	22.2	13.6	10.8	12.0	10.2	10.2	1.1	3.9	4.6
1/4	(N)ER2003HD	14.6	22.3	23.3	13.7	11.8	12.8	10.5	10.5	1.1	4.4	4.2
1/2	(N)ER2005LD	14.6	22.4	23.5	13.7	11.8	12.8	10.6	10.7	1.1	4.4	4.2
1/2	(N)ER2005SD	14.6	22.3	23.3	13.7	11.8	12.8	10.5	10.5	1.1	4.4	4.2
1	(N)ER2010LD	16.9	24.1	24.9	14.8	12.4	13.1	11.7	11.8	1.2	5.1	4.6
1	(N)ER2010SD	16.9	24.5	25.2	14.8	12.4	13.1	12.1	12.1	1.2	5.1	4.6
1 1/2	(N)ER2015SD	20.1	27.9	29.0	16.8	14.6	15.6	13.3	13.4	1.4	6.3	5.4
2	(N)ER2020CD	27.8	24.1	24.9	14.8	12.4	13.1	11.7	11.8	1.5	7.0	2.7
2	(N)ER2020LD	22.6	27.9	29.0	16.8	14.6	15.6	13.3	13.4	1.6	6.3	5.4
2	(N)ER2020SD	23.2	30.2	30.8	16.8	16.2	16.8	14.0	14.0	1.6	6.3	5.4



ER2 Electric Chain Hoist
Model ER2A
Specifications and Dimensions

2 1/2	(N)ER2025SD	24.6	31.5	32.5	17.5	15.8	16.8	15.7	15.7	1.6	6.8	5.6
3	(N)ER2030LD	TBD	TBD	TBD	TBD	TBD	TBD	TBD	TBD	TBD	TBD	TBD
3	(N)ER2030CD	30.9	30.2	30.8	16.8	16.2	16.8	14.0	14.0	1.8	8.5	3.2
5	(N)ER2050LD	33.5	31.5	32.5	17.5	15.8	16.8	15.7	15.7	1.9	9.1	3.4

DUAL SPEED METRIC SPECIFICATIONS

Cap. (Tons)	Product Code	Standard Lift (m)	Push Button Cord L (m)	Lifting Speed (m/min)	Lifting Motor 3 Phase 60 Hz*			Load Chain Diameter (mm) x Chain Fall Lines	Net Weight (kg)		Weight for Additional One Meter of Lift (kg)
					Output (kW)	Rated Current (amps)			NER	ER	
						@208 - 230V	@460V				
1/8	(N)ER2001HD	3.0	2.5	16.8/2.7	0.56	3.6	1.8	4.3 x 1	27	29	0.42
1/4	(N)ER2003SD			11.0/1.8	0.56	3.6	1.8	4.3 x 1	27	29	0.42
1/4	(N)ER2003HD			16.2/2.7	0.9	5.1	2.7	6.0 x 1	35	37	0.81
1/2	(N)ER2005LD			4.6/0.8	0.56	3.6	1.8	6.0 x 1	31	36	0.81
1/2	(N)ER2005SD			8.8/1.5	0.9	5.1	2.7	6.0 x 1	35	37	0.81
1	(N)ER2010LD			4.3/0.7	0.9	5.1	2.7	7.7 x 1	45	49	1.33
1	(N)ER2010SD			8.5/1.4	1.8	9.1	4.5	7.7 x 1	52	53	1.33
1 1/2	(N)ER2015SD			5.5/0.9	1.8	9.1	4.5	10.2 x 1	72	78	2.3
2	(N)ER2020CD			2.1/0.3	0.9	5.1	2.7	7.7 x 2	56	60	2.7
2	(N)ER2020LD			4.3/0.7	1.8	9.1	4.5	10.2 x 1	73	79	2.3
2	(N)ER2020SD			8.5/1.4	3.5	17.3	8.3	10.2 x 1	89	92	2.3
2 1/2	(N)ER2025SD			6.7/1.1	3.5	17.3	8.3	11.2 x 1	99	105	2.8
3	(N)ER2030LD			TBD	TBD	TBD	TBD	TBD	TBD	TBD	TBD
3	(N)ER2030CD			5.2/0.9	3.5	17.3	8.3	10.2 x 2	104	108	4.7
5	(N)ER2050LD			3.4/0.6	3.5	17.3	8.3	11.2 x 2	127	133	5.6

*Although 208/230 & 460 Volts are shown, voltage can **NOT** be changed, due to electrical components being voltage specific.

DUAL SPEED METRIC DIMENSIONS

Cap. (Tons)	Product Code	Headroom C (mm)	a (mm)		b (mm)	d (mm)		e (mm)		g (mm)	h (mm)	i (mm)
			NER	ER		NER	ER	NER	ER			
1/8	(N)ER2001HD	350	535	564	345	276	305	259	259	27	99	117
1/4	(N)ER2003SD	350	535	564	345	276	305	259	259	27	99	117
1/4	(N)ER2003HD	370	567	593	348	300	325	267	267	27	113	106
1/2	(N)ER2005LD	370	570	598	348	300	325	270	273	27	113	106
1/2	(N)ER2005SD	370	567	593	348	300	325	267	267	27	113	106
1	(N)ER2010LD	430	613	632	376	316	332	298	300	31	129	118
1	(N)ER2010SD	430	623	639	376	316	332	307	307	31	129	118
1 1/2	(N)ER2015SD	510	709	738	427	372	397	338	341	35	161	138
2	(N)ER2020CD	705	613	632	376	316	332	298	300	37	178	69
2	(N)ER2020LD	575	709	738	427	372	397	338	341	40	161	138
2	(N)ER2020SD	590	767	782	427	411	426	356	356	40	161	138
2 1/2	(N)ER2025SD	625	800	826	445	401	427	399	399	40	174	143
3	(N)ER2030LD	TBD	TBD	TBD	TBD	TBD	TBD	TBD	TBD	TBD	TBD	TBD
3	(N)ER2030CD	785	767	782	427	411	426	356	356	45	216	82
5	(N)ER2050LD	850	800	826	445	401	427	399	399	47	232	85

KITO AMERICAS METRIC SPECIFICATIONS - DUAL SPEED

Cap. (Tons)	Product Code	Standard Lift (m)	Push Button Cord L (m)	Lifting Motor 3 Phase 60 Hz					Lifting Motor 3 Phase 50 Hz			Load Chain Diameter (mm) x Chain Fall Lines	Net Weight (kg)		Weight for Additional One Meter of Lift (kg)
				Lifting Speed (m/min)	Output (kW)	Rated Current (amps)			Lifting Speed (m/min)	Output (kW)	Rated Current (amps)		NER	ER	
						@208 - 230V	@380V	@460V							
125kg	(N)ER2001HD	3.0	2.5	16.8/2.7	0.56	3.6	2.7	1.8	16.6/1.4	0.56	2.7	4.3 x 1	27	29	0.42
250kg	(N)ER2003SD			11.0/1.8	0.56	3.6	2.7	1.8	10.8/0.9	0.56	2.7	4.3 x 1	27	29	0.42
250kg	(N)ER2003HD			16.2/2.7	0.9	5.1	3.6	2.7	15.7/1.3	0.9	3.6	6.0 x 1	35	37	0.81
500kg	(N)ER2005LD			4.6/0.8	0.56	3.6	2.7	1.8	4.5/0.4	0.56	2.7	6.0 x 1	31	36	0.81
500kg	(N)ER2005SD			8.8/1.5	0.9	5.1	3.6	2.7	8.5/0.7	0.9	3.6	6.0 x 1	35	37	0.81
1	(N)ER2010LD			4.3/0.7	0.9	5.1	3.6	2.7	4.2/0.3	0.9	3.6	7.7 x 1	45	49	1.33
1	(N)ER2010SD			8.5/1.4	1.8	9.1	5.1	4.5	8.2/0.7	1.8	5.1	7.7 x 1	52	53	1.33
1.5	(N)ER2015SD			5.5/0.9	1.8	9.1	5.1	4.5	5.3/0.4	1.8	5.1	10.2 x 1	72	78	2.3
2	(N)ER2020CD			2.1/0.3	0.9	5.1	3.6	2.7	2.1/0.2	0.9	3.6	7.7 x 2	56	60	2.7
2	(N)ER2020LD			4.3/0.7	1.8	9.1	5.1	4.5	4.3/0.4	1.8	5.1	10.2 x 1	73	79	2.3
2	(N)ER2020SD			8.5/1.4	3.5	17.3	9.2	8.3	8.2/0.7	3.5	9.2	10.2 x 1	89	92	2.3
2.5	(N)ER2025SD			6.7/1.1	3.5	17.3	9.2	8.3	6.6/0.6	3.5	9.2	11.2 x 1	99	105	2.8
3	(N)ER2030CD			5.2/0.9	3.5	17.3	9.2	8.3	5.2/0.4	3.5	9.2	10.2 x 2	104	108	4.7
5	(N)ER2050LD			3.4/0.6	3.5	17.3	9.2	8.3	3.3/0.3	3.5	9.2	11.2 x 2	127	133	5.6

*Although 208/230 & 460 Volts are shown, voltage can **NOT** be changed, due to electrical components being voltage specific.

KITO AMERICAS METRIC DIMENSIONS - DUAL SPEED

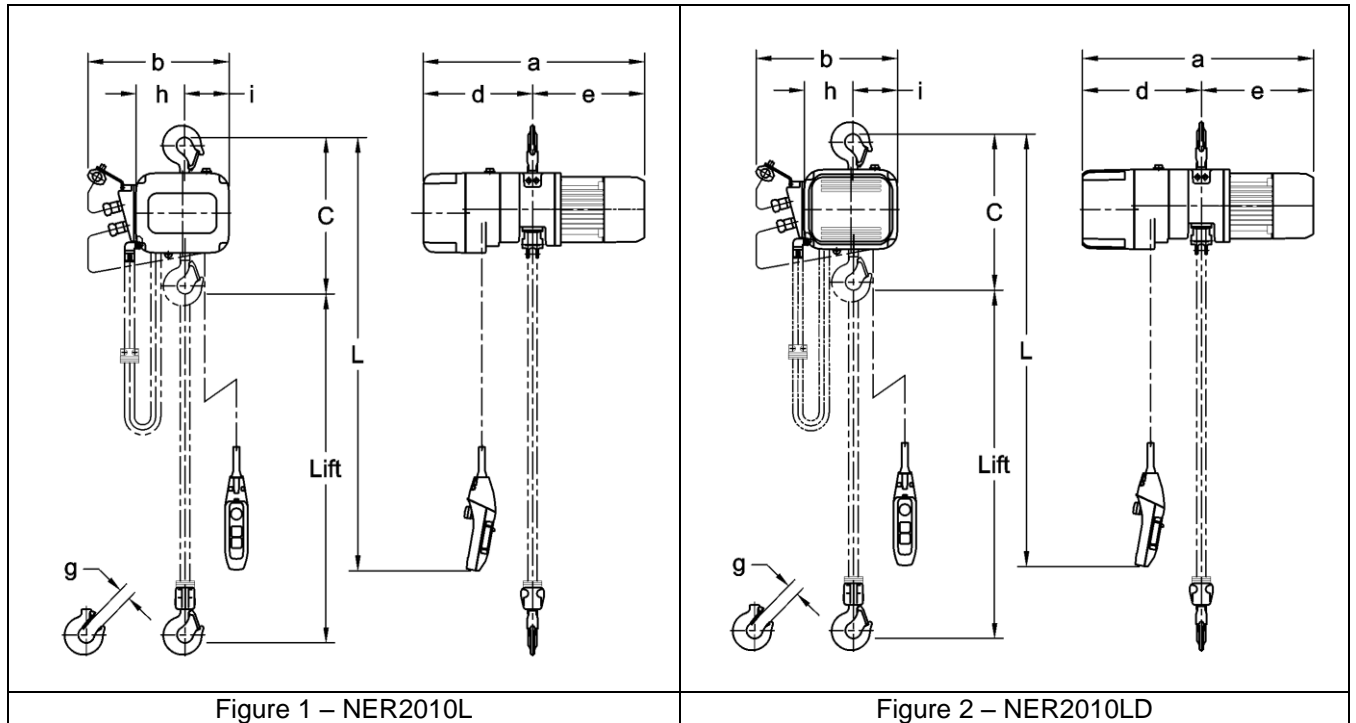
Cap. (Tons)	Product Code	Headroom C (mm)	a (mm)		b (mm)	d (mm)		e (mm)		g (mm)	h (mm)	i (mm)
			NER	ER		NER	ER	NER	ER			
125kg	(N)ER2001HD	350	535	564	345	276	305	259	259	27	99	117
250kg	(N)ER2003SD	350	535	564	345	276	305	259	259	27	99	117
250kg	(N)ER2003HD	370	567	593	348	300	325	267	267	27	113	106
500kg	(N)ER2005LD	370	570	598	348	300	325	270	273	27	113	106
500kg	(N)ER2005SD	370	567	593	348	300	325	267	267	27	113	106
1	(N)ER2010LD	430	613	632	376	316	332	298	300	31	129	118
1	(N)ER2010SD	430	623	639	376	316	332	307	307	31	129	118

GENERAL USE
EDOC0405



ER2 Electric Chain Hoist
Model ER2A
Specifications and Dimensions

1.5	(N)ER2015SD	510	709	738	427	372	397	338	341	35	161	138
2	(N)ER2020CD	705	613	632	376	316	332	298	300	37	178	69
2	(N)ER2020LD	575	709	738	427	372	397	338	341	40	161	138
2	(N)ER2020SD	590	767	782	427	411	426	356	356	40	161	138
2.5	(N)ER2025SD	625	800	826	445	401	427	399	399	40	174	143
3	(N)ER2030CD	785	767	782	427	411	426	356	356	45	216	82
5	(N)ER2050LD	850	800	826	445	401	427	399	399	47	232	85



END