

Purpose:

To specify the components required to convert the ED Series DS model to an ED Series DA or convert the ED Series DA model to an ED Series DS.

Key Features of the ED DA:

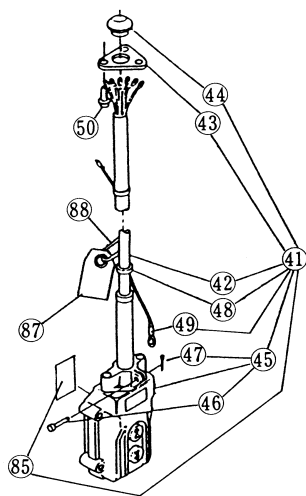
1. Dual Adjustable Speed (High Speed Adjustment/Low Speed Adjustment)
2. Ergonomic Controls Design (Cylinder Control)
3. One-Hand Cylinder Control
4. Quick Disconnect Hook

Key Features of the ED DS:

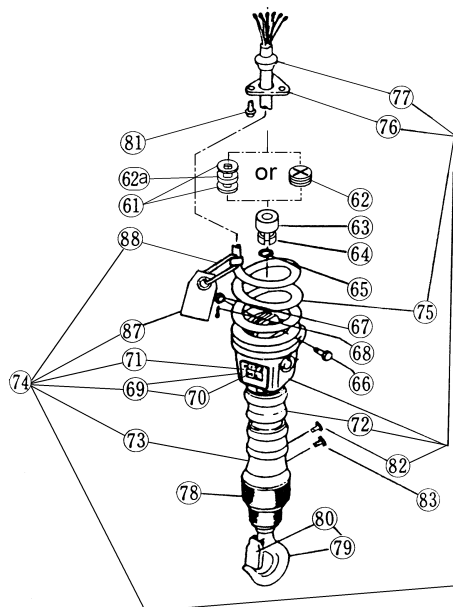
1. Dual Speed (Low Speed Adjustment)
2. Pendant Control

Conversion Notes:

- The major wiring within the hoist's main body does not differ between the DS and DA model.
- The major differences between the DS and the DA concern the outer control features as shown in the diagrams below.
- Field Conversions are possible by a competent individual experienced in the repair of hoists.
- The components, along with their respective part numbers, are listed on page 2.



Dual-speed type



Dual-speed cylinder type

Parts List for Converting ED DS Model to an ED DA Model

Fig. No.	Part Name	QTY	Hoist Capacity				
			125	220	250	400	350
74	Push Button Cord 6C Complete Set	1	E2D1607PD125C			E2D1607PD350C	
78	Detachable Fitting E	1	E2D5041125				
79	Detachable Hook Assy.	1	E2D1002125				
81	Machine Screw w/Spring Washer	1	E2D555125				
83	Flat Head Screw	1	9096529				
61	Washer (Model ED2B)	2	E2D048125				
62a	Cushion Rubber (Model ED2B)	2	E2D046125				
62	Cushion Rubber* (Model ED3A)	2	E3DBX10S9046*				
63	Stopper Collar	1	E2D044125				
64	Stopper	2	E2D045125				
65	Snap Ring	1	9047220				
66	Chain Pin	1	E2D041125				
67	Slotted Nut	1	E2D049125				
68	Split Pin	1	9009402				
29**	Chain Container for 10 ft max lift	1	E2D1831D125			E2D1831D350	

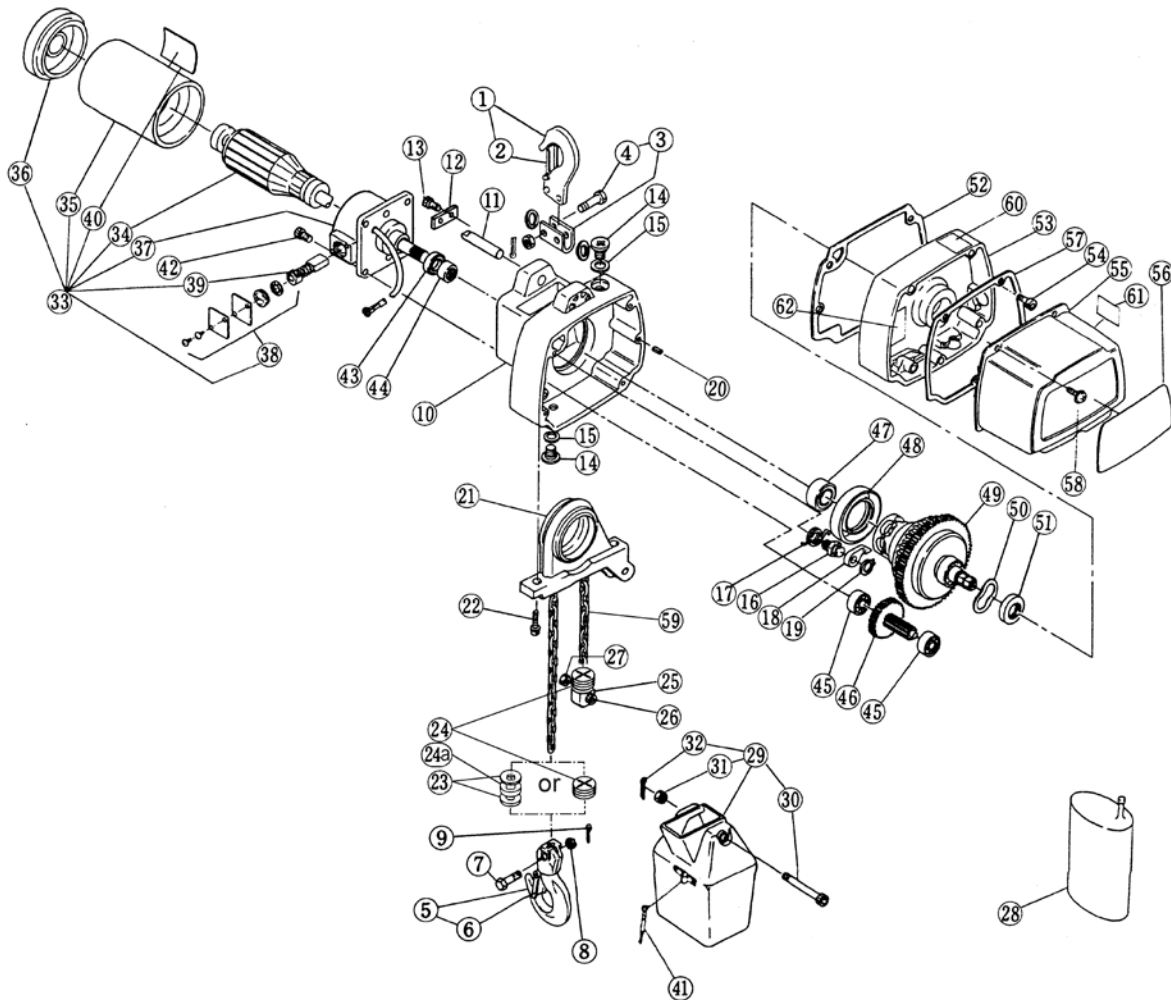
*Use this item as a replacement for item 61 & 62a. Item can be used for ED2B & ED3A Models.

**See page 3 for figure should customer choose to replace hook; all other item numbers reference page 1.

Parts List for Converting ED DA Model to an ED DS Model

Fig. No.	Part Name	QTY	Hoist Capacity				
			125	220	250	400	350
5	Bottom Hook Comp. Set	1	E2D1021125				
41	Push Button Cord 6C Complete Set	1	E2D1607PD125			E2D1607PD350	
50	Machine Screw w/Spring Washer	3	MS554010				
87	Warning Tag	1	E2D931125				
88	Chain Stopper Link	1	E2D045D125				
85	Warning Seal EE	1	E2D866125				
29*	Chain Container for 10 ft max lift	1	E2D1831125				
	Chain Container for 20 ft max lift		E2D1835125				

*See below for figure; all other item numbers reference page 1.



END

GENERAL USE
EDOC0393, Rev 01
7/1/15