

Purpose:

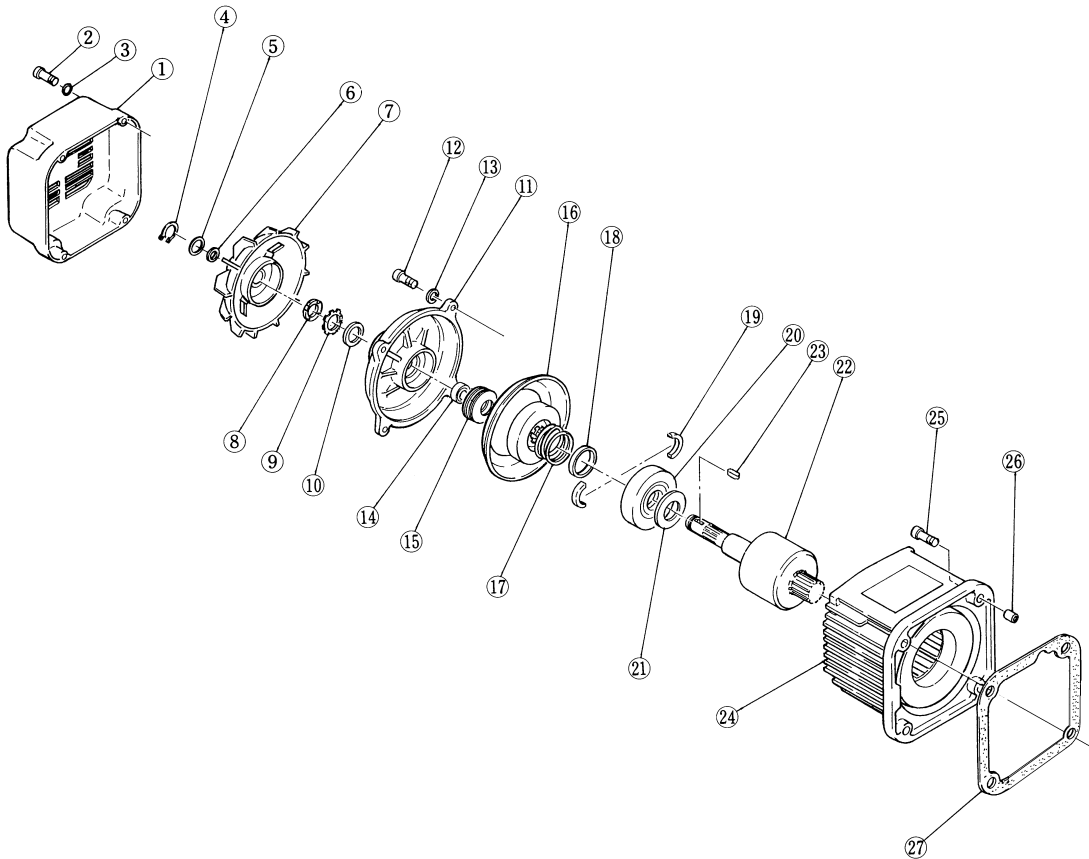
Identify complete motor part numbers for ER/NER models hoists.

Scope:

- Single and dual speed hoists.
- 1/8 to 20 Ton Capacities.
- 208-230/460V-3ph-60hz and 575V-3ph-60hz.

Parts included:

- Complete motors include all parts show in the figure below. Refer to the parts list in the appropriate hoist's Owner's Manual for details on the individual component part numbers and quantities.
- Motors provided assembled.



Complete Motor Part Numbers:

SINGLE SPEED COMPLETE MOTORS		
Hoist	Part Number	
	208-230/ 460V-3ph- 60Hz	575V- 3ph-60Hz
(N)ER001H (N)ER003S (N)ER005L	6089901	6089801
(N)ER003H (N)ER005S (N)ER010L	6089902	6089802
NER010M	6089903	6089803
(N)ER010S (N)ER015S (N)ER020L	6089904	6089804
NER020M NER030C	6089905	6089805
(N)ER020S (N)ER025S (N)ER030L	6089906	6089806
(N)ER030S	6089907	6089807
(N)ER050L	6089906	6089806
ER080S ER100L ER100S ER150S ER200S (4.7hp version)	6089906	6089806

DUAL SPEED COMPLETE MOTORS		
Hoist	Part Number	
	208-230/ 460V-3ph- 60Hz	575V- 3ph-60Hz
(N)ER001HD (N)ER003SD (N)ER005LD	6090101	6090001
(N)ER003HD (N)ER005SD (N)ER010LD	6090102	6090002
—	—	—
(N)ER010SD (N)ER015SD (N)ER020LD	6090103	6090003
—	—	—
(N)ER020SD (N)ER025SD (N)ER030LD	6090104	6090004
(N)ER030SD	6090105	6090005
(N)ER050LD	6090104	6090004
ER080SD ER100LD ER100SD ER150SD ER200SD (4.7hp version)	6090104	6090004