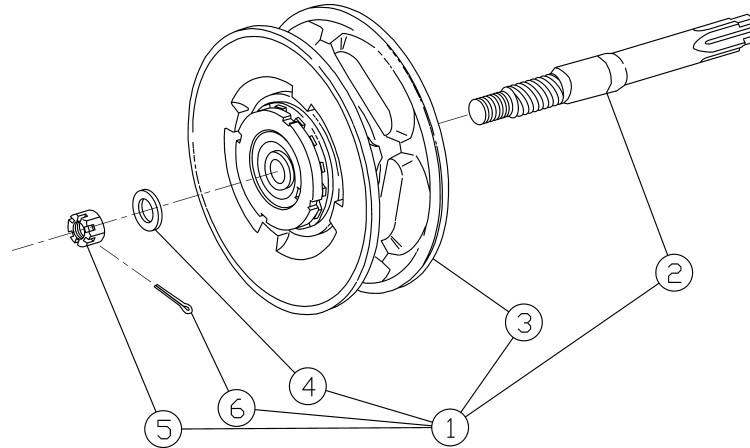


**CB SLIP CLUTCH DEVICE**



**PARTS LIST**

FIG NO.	PART NAME		QTY	CAPACITY					
				1/2 T	1 T	1 1/2 & 3 T	2 T	2 1/2-5 T	8-10-15-20 T
1	OLL ASSEMBLY	M3	1	M3CB005OD	M3CB010OD	M3CB015OD	M3CB020OD	M3CB025OD	
		M3B						M3B025OD	
2	PINION	M3	1	C3YA111005	C3YA111010	C3YA111015	C3YA111020	C3YA111025	
		M3B						C3BYA111025	
3	HAND WHEEL	M3	1	C3YA1115005	C3YA1115010	C3YA1115015	C3YA1115020	C3YA1115025	
		M3B						C3BYA1115025	
4	WASHER	M3	1	C3YA208005			C3YA208020		
		M3B					C3YA208020		
5	NUT (left hand thread)	M3	1	C3YA209005			C3YA209020		
		M3B					C3YA209020		
6	Split Pin	M3	1	9009412			9009414-5		
		M3B					9009414-5		

20 Ton capacity requires Quantities of 2.

**GENERAL USE**