



TCR Air Chain Hoist
10 and 25 Ton, Model TCR
Specifications and Dimensions

Purpose:

To provide dimension and specification information for TCR model 10 and 25 Ton air chain hoist.

TCR Pendant Model:

Specifications:

Cap. (Tons)	Product Code	Standard Lift (ft)	Push Button Hose L (ft)	Up/Down Speeds (ft/min @ 90 psi)		Up/Down Air Consumption Rates (cubic ft/min @ 90 psi)		Load Chain Diameter (mm) x Chain Fall Lines	Net Weight (lbs)	Weight for Additional One Foot of Lift (lbs)
				No Load	w/Full Load	No Load	w/Full Load			
10	TCR10000P2	10	8.8	7.2/5.9	5.1/7.6	220/180	180/210	16 x 2	476	3.8
25	TCR25000P2		9.4	2.1/1.6	1.8/2.2	210/190	170/200	22 x 2	1082	7.0

Dimensions:

Cap. (Tons)	Product Code	Headroom C (in)	a (in)	b (in)	d (in)	e (in)	g (in)	h (in)	i (in)	j (in)
10	TCR10000P2	35.0	22	18.4	9.7	12.3	1.6	7.4	11.0	2.4
25	TCR25000P2	56.7	27.9	18.8	14.3	13.6	3.1	6.5	12.3	4.9

Metric Specifications:

Cap. (Tons)	Product Code	Standard Lift (m)	Push Button Hose L (m)	Up/Down Speeds (m/min @ 0.6 MPa)		Up/Down Air Consumption Rates (cubic m/min @ 0.6 MPa)		Load Chain Diameter (mm) x Chain Fall Lines	Net Weight (kg)	Weight for Additional One Meter of Lift (kg)
				No Load	w/Full Load	No Load	w/Full Load			
10	TCR10000P2	3.0	2.7	2.2/1.8	1.5/2.4	6.1/5.0	5.0/6.0	16 x 2	216	5.6
25	TCR25000P2		2.9	0.7/0.5	0.5/0.7	5.9/5.3	4.8/5.8	22 x 2	491	10.4

Metric Dimensions:

Cap. (Tons)	Product Code	Headroom C (mm)	a (mm)	b (mm)	d (mm)	e (mm)	g (mm)	h (mm)	i (mm)	j (mm)
10	TCR10000P2	890	560	468	247	313	41	188	280	60
25	TCR25000P2	1440	710	478	364	346	80	165	313	125

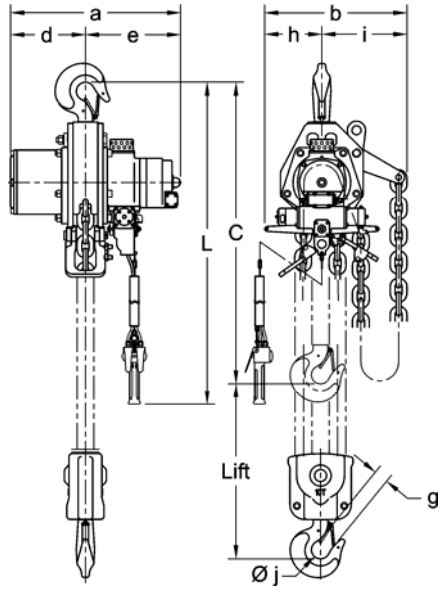


Figure 1 TCR10000P2 – Pendant Model

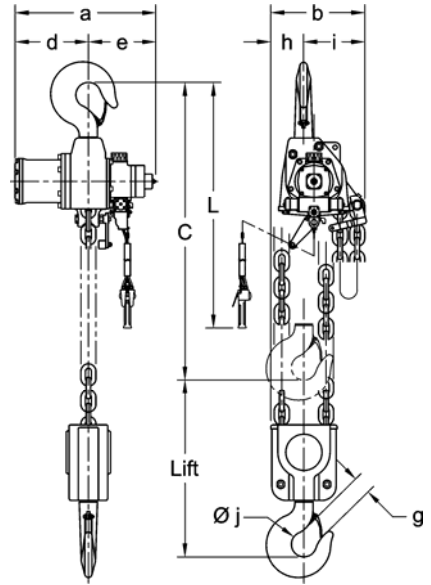


Figure 2 TCR25000P2

TCR Cord Model:

Specifications:

Cap. (Tons)	Product Code	Standard Lift (ft)	Cord L (ft)	Up/Down Speeds (ft/min @ 90 psi)		Up/Down Air Consumption Rates (cubic ft/min @ 90 psi)		Load Chain Diameter (mm) x Chain Fall Lines	Net Weight (lbs)	Weight for Additional One Foot of Lift (lbs)
				No Load	w/Full Load	No Load	w/Full Load			
10	TCR10000C2	10	8.1	7.2/5.9	5.1/7.6	220/180	180/210	16 x 2	465	3.8
25	TCR25000C2		8.7	2.1/1.6	1.8/2.2	210/190	170/200	22 x 2	1074	7.0

Dimensions:

Cap. (Tons)	Product Code	Headroom C (in)	a (in)	b (in)	d (in)	e (in)	g (in)	h (in)	i (in)	j (in)
10	TCR10000C2	35.0	22	18.4	9.7	12.3	1.6	7.4	11.0	2.4
25	TCR25000C2	56.7	27.9	18.8	14.3	13.6	3.1	6.5	12.3	4.9

Metric Specifications:

Cap. (Tons)	Product Code	Standard Lift (m)	Cord L (m)	Up/Down Speeds (m/min @ 0.6 MPa)		Up/Down Air Consumption Rates (cubic m/min @ 0.6 MPa)		Load Chain Diameter (mm) x Chain Fall Lines	Net Weight (kg)	Weight for Additional One Meter of Lift (kg)
				No Load	w/Full Load	No Load	w/Full Load			
10	TCR10000C2	3.0	2.5	2.2/1.8	1.5/2.4	6.1/5.0	5.0/6.0	16 x 2	211	5.6
25	TCR25000C2		2.7	0.7/0.5	0.5/0.7	5.9/5.3	4.8/5.8	22 x 2	487	10.4

Metric Dimensions:

Cap. (Tons)	Product Code	Headroom C (mm)	a (mm)	b (mm)	d (mm)	e (mm)	g (mm)	h (mm)	i (mm)	j (mm)
10	TCR10000C2	890	560	468	247	313	41	188	280	60
25	TCR25000C2	1440	710	478	364	346	80	165	313	125

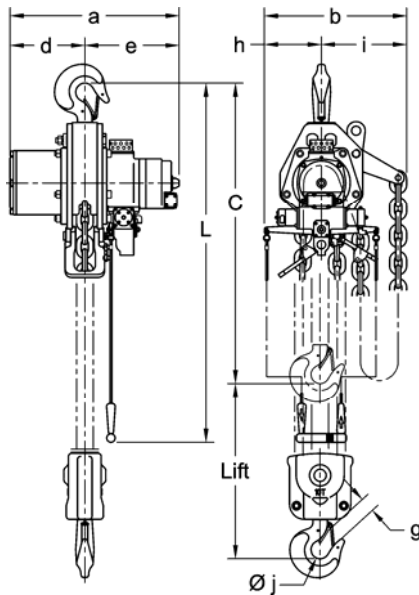


Figure 3 TCR10000C2 – Cord Model

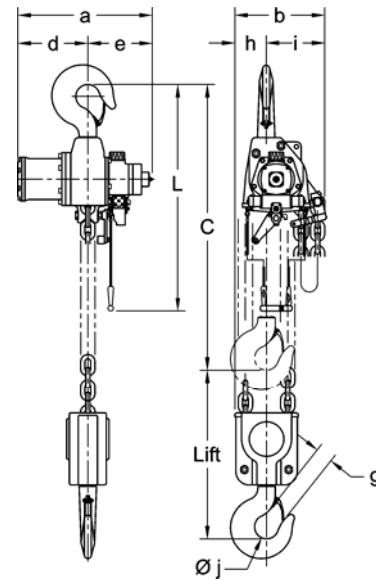


Figure 4 TCR25000C2 – Cord Model