

PURPOSE

To provide instructions for installing the ED1050 Kit. The ED1050 kit provides a method to increase the capacity of the ED525 hoist to 1050 pounds by converting the hoist from single fall to double fall.

SCOPE

▲ WARNING The ED1050 kit can only be installed on the ED525S and DS model hoists. It cannot be installed on an ED525 with an ET525 Mini Trolley. For trolley-mounted applications the hoist must be mounted on an appropriate capacity push or geared trolley. Reference the Manual Trolley, TF2/TS2 Series, Owner's Manual for installation instructions.

▲ CAUTION Hoist lift and lifting/lowering speed are affected by installing the ED1050 kit. The lift is halved (approximately) by installing the double fall kit, therefore load chain length must be increased accordingly. Further, the chain container size must be increased to accommodate the longer load chain. Do not exceed the maximum capacity of the chain container. Lift/lowering speeds are reduced by half to 22 ft/min for the single speed hoist and 22/6 ft/min for the dual speed hoist.

ED1050 KIT INSTALLATION

Before installing ED1050 kit, reference the parts list (page 9) to confirm that all the parts are in the kit.

▲ DANGER Before proceeding, ensure that the electrical supply for the hoist has been de-energized (disconnected). Lock out and tag out in accordance with ANSI Z244.1 "Personnel Protection - Lockout/Tagout of Energy Sources".

1. ED525 Hoist Disassembly

- 1.1 Remove the load chain stopper.
- 1.2 Remove the load chain and bottom hook.
- 1.3 Remove chain container (if required).
- 1.4 Remove top hook assembly.
- 1.5 Remove the hoist nameplate.
- 1.6 Remove the motor nameplate.

2. ED1050 Hoist Assembly

- 2.1 Install the Connection Yoke Complete Set (Figure 5).
- 2.2 Temporarily connect power to the hoist. Invert hoist so chain guide is at the top of the hoist. Insert chain into chain guide on the load side (side away from chain container mounting point). Be sure to keep welds of the vertical links oriented away from load sheave. Press the UP button and make sure chain feeds through the chain guide smoothly. If the chain jams and the friction clutch slips, STOP OPERATION. Press DOWN button and remove chain from unit. Re-insert chain until chain moves through the chain guide smoothly.
- 2.3 Install the Bottom Hook Complete Set (Figure 23). Include the chain spring (Figure 37), washer (Figure 38) and cushion rubber (from ED525) on the load side of the load chain. Making sure there is no twist in the load chain attach the chain to the joint yoke (Fig. 15) with chain pin (Fig. 20).

- 2.4 Install the cushion rubber (from ED525) and stopper complete set (from ED525) on the no-load side of the load chain.
- 2.5 Install the appropriately sized chain container (Figure 43), for the load chain length using Socket Bolt BP (Figure 44), U nut (Figure 45) and Split Pin (Figure 46). Refer to Owner's Manual.
- 2.6 Attach Nameplate B (Figure 47) to hoist as shown in Figure 1-1.
- 2.7 Attach the Warning Seal E label, Figure 49, to hoist as shown in Figure 1-1.
- 2.8 Attach Nameplate M, Figure 50, to hoist as shown in Figure 1-1.

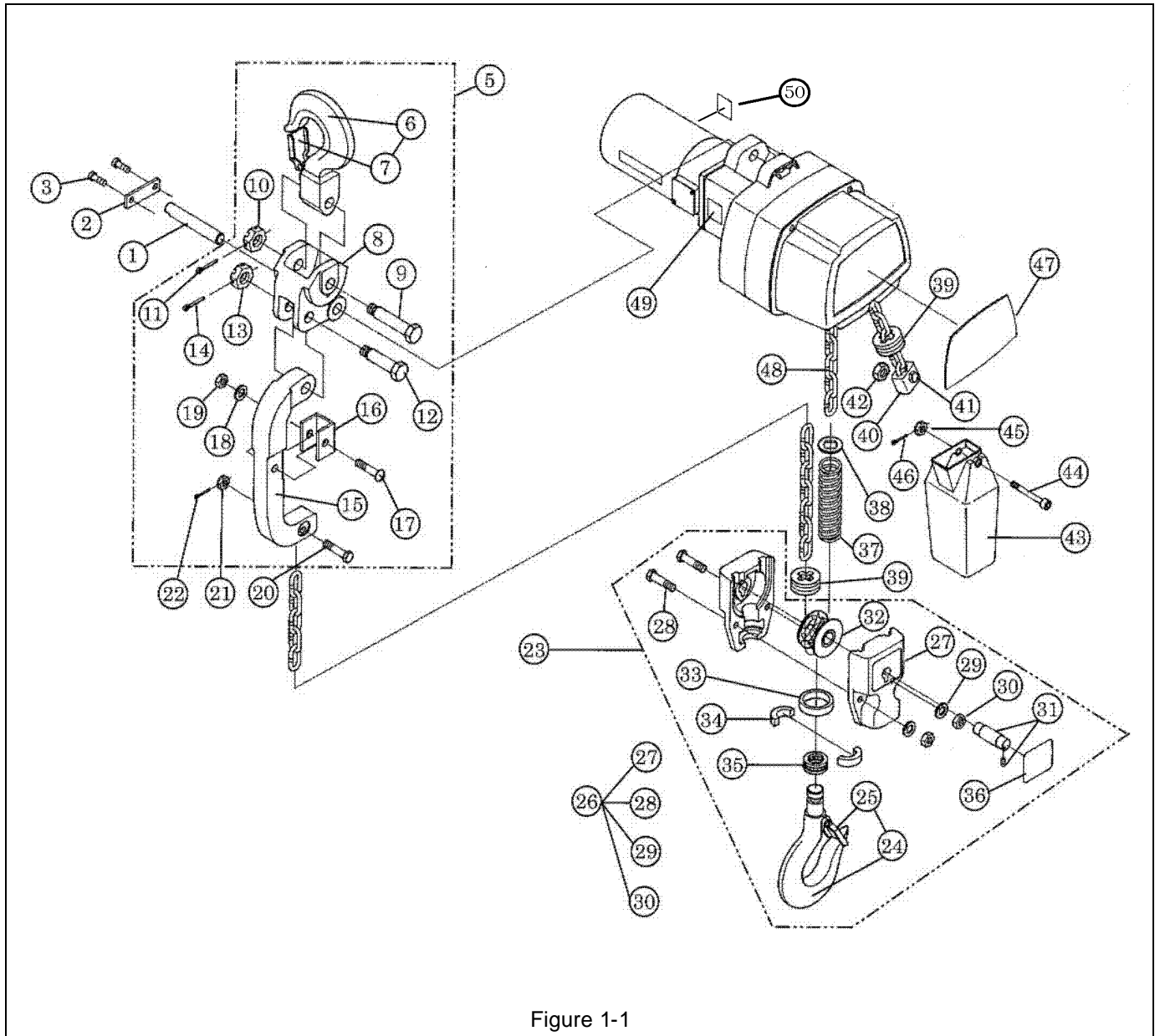


Figure 1-1



**ED1050 KITS
EDCK1 & EDCK2
INSTALLATION INSTRUCTIONS
1050LB CAPACITY**

HHI ED1050 CONVERSION KIT PART NUMBERS					
Fig. No.	Part Number	Part Name	Qty Per Hoist		
5	E3DBX48S1470	Connection yoke complete set	1		
	6	E3DBX48S6460	Top hook assembly	1	
		7	CF071005	Hook Latch assembly	1
	8	E3DBX48S9470	Connection yoke	1	
	9	ES006005L	Top Pin, L	1	
	10	L3183008	Slotted nut	1	
	11	9009403	Split pin	1	
	15	E3DBX48S9580	Joint yoke	1	
	16	E3DBX48S9592	Protection pad	1	
	17	J1AG25003535	Truss head machine screw	1	
	18	9012510	Washer	1	
	19	9098503	U nut	1	
	20	E2D041125	Chain pin	1	
	21	E2D049125	Slotted nut	1	
	22	9009402	Split pin	1	
23	E3DHX48S1480	Bottom hook complete set	1		
	24	E3DBX48S2480	Bottom yoke assembly	1	
		25	ER1BS9002	Hook latch assembly	1
	26	E3DBX48S2485	Bottom yoke assembly	1	
		27	E3DBX48S9485	Bottom yoke	2
		28	9093307	Bolt	2
		29	9012709	Spring lock washer	2
		30	9093420	Nut	2
	31	E3DBX48S6489	Bottom shaft assembly	1	
	32	E3DBX48S6487	Idle sheave assembly	1	
	33	ES026003	Thrust collar A	1	
34	ES027003	Hook stopper	2		
35	ES022003	Thrust bearing	1		
36	E3DBX48S9597	Name plate C	1		



**ED1050 KITS
EDCK1 & EDCK2
INSTALLATION INSTRUCTIONS
1050LB CAPACITY**

HHI ED1050 CONVERSION KIT PART NUMBERS – CONTINUED				
Fig. No.	Part Number	Part Name	Qty Per Hoist	
37	E3DBX48S9590	Chain spring	1	
38	E3DBX489591	Washer	1	
43	E2D1835125	Chain container	1	
	44	E2D854125	Socket bolt BP	1
	45	E2D853125	U nut	1
	46	9009402	Split pin	1
49	E3DBX48S9599	Warning Seal E (Finger protection)	1	
50	E3DHX48S9802	Nameplate M (Motor Nameplate)	1	

HHI ED1050 NAMEPLATE B PART NUMBERS			
Fig. No.	Part Number	Part Name	Qty Per Hoist
47	E3DHX48S9801	Name plate B, Single Speed	1
	E3DHX48R9801	Name plate B, Dual Speed	1

END