

PURPOSE

To provide specification and dimension information for the ED1050 S and DS model ED3A electric chain hoist.

IMPERIAL SPECIFICATIONS

Cap. (lbs)	Product Code		Lifting Speed (ft/min)		Standard Lift (ft)	Push Button Cord L (ft)	Motor Output (HP)	Intermittent Duty Rating		Short Time Duty Rating (min)	Rated Current at 120V (amps)
	Single Speed S Model	Dual Speed DS Model	S Model	DS Model	S & DS Model	S & DS Model		Duty Rating % ED	Max. Start Freq. (Times/Hr)		
1050	ED1050S	ED1050DS	22	22/6	10	8	0.8	30	180	15	10

IMPERIAL DIMENSIONS and WEIGHTS

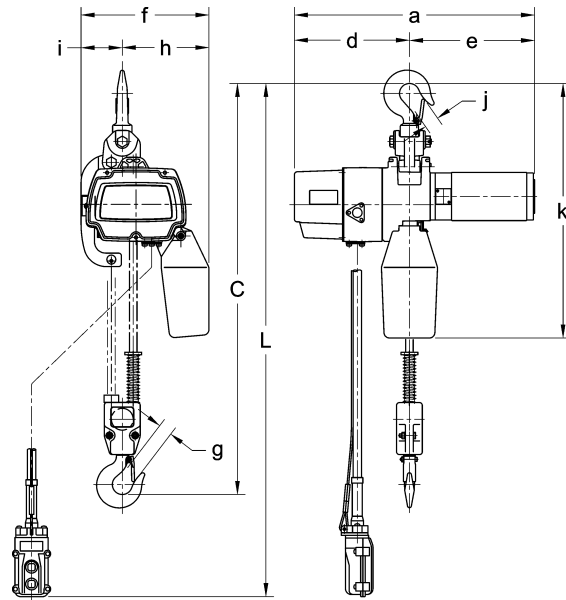
Cap. (lbs)	Headroom C (in)	a (in)	d (in)	e (in)	f (in)	g (in)	h (in)	i (in)	j (in)	k (in)	Net Weight (lbs)		Weight for Additional One Foot of Lift (lbs)	
	S & DS Model										S Model	DS Model	S Model	DS Model
1050	20.5	16.9	8.1	8.8	9.0	0.9	6.1	2.9	1.0	17.9	46	47	0.49	0.52

METRIC SPECIFICATIONS

Cap. (kg)	Product Code		Lifting Speed (m/min)		Standard Lift (m)	Push Button Cord L (m)	Motor Output (kW)	Intermittent Duty Rating		Short Time Duty Rating (min)	Rated Current at 120V (amps)
	Single Speed S Model	Dual Speed DS Model	S Model	DS Model	S & DS Model	S & DS Model		Duty Rating % ED	Max. Start Freq. (Times/Hr)		
480	ED1050S	ED1050DS	6.7	6.7/2.0	3.0	2.6	0.6	30	180	15	10

METRIC DIMENSIONS and WEIGHTS

Cap. (kg)	Headroom C (mm)	a (mm)	d (mm)	e (mm)	f (mm)	g (mm)	h (mm)	i (mm)	j (mm)	k (mm)	Net Weight (kg)		Weight for Additional One Meter of Lift (kg)	
	S & DS Model										S Model	DS Model	S Model	DS Model
480	520	428	205	223	229	24	155	74	25	455	25	25	0.73	0.77



S and DS Models

ED1050 with PT and GT TROLLEY –

IMPERIAL SPECIFICATIONS

Capacity (lbs)	Product Code		Lifting Speed (ft/min)		Standard Lift (ft)	Push Button Cord L (ft)	Motor Output (HP)	Intermittent Duty Rating		Short Time Duty Rating (min)	Rated Current at 120V (amps)	Adjustable Beam Width (in.)	Min. Radius for Curve (in)	Net Wt. (lbs)
	S & DS Model	S & DS Model	S Model	DS Model				S & DS Model	S & DS Model					
1050	S & DS Model	S & DS Model	S Model	DS Model	S & DS Model	S & DS Model	0.8	Duty Rating % ED	Max. Start Freq. (Times/Hr)	15	10	2.28 – 4.00 (2.28 – 5.00)	43.3 (51.2)	55 (75)
	with PTS2005	with GTS2010	22	22/6	10	8		30	180					

Figures in parenthesis are data for geared trolley.

Imperial Dimensions – Single Speed or Dual Speed Hoist with Push Trolley:

Capacity (lbs)	Product Code		Headroom C (in)	a (in)	b (in)	e (in)	g (in)	h (in)	i (in)	j (in)	k (in)	m (in)	n (in)	r (in)	t (in)
	Hoist	Trolley													
1050	ED1050	PTS2005	20.5	8.0	7.2	1.8	0.9	3.2	2.36	0.7	3.0	1.9	3.3	1.5	0.87

Imperial Dimensions – Single Speed or Dual Speed Hoist with Geared Trolley:

Capacity (lbs)	Product Code		Headroom C (in)	E (ft)	a (in)	b (in)	e (in)	g (in)	h (in)	i (in)	j (in)	k (in)	k' (in)	m (in)	n (in)	r (in)	t (in)	u (in)
	Hoist	Trolley																
1050	ED1050	GTS2010	21.0	7.5	13.6	9.3	6.0	0.9	4.2	2.80	1.1	3.7	4.2	2.2	4.4	2.0	0.98	7.2

METRIC SPECIFICATIONS

Capacity (kg)	Product Code		Lifting Speed (m/min)		Standard Lift (m)	Push Button Cord L (m)	Motor Output (kW)	Intermittent Duty Rating		Short Time Duty Rating (min)	Rated Current at 120V (amps)	Adjustable Beam Width (mm)	Min. Radius for Curve (mm)	Net Wt. (kg)
	S & DS Model	S & DS Model	S Model	DS Model				S & DS Model	S & DS Model					
480	S & DS Model	S & DS Model	S Model	DS Model	S & DS Model	S & DS Model	0.6	Duty Rating % ED	Max. Start Freq. (Times/Hr)	15	10	58 – 102 (58 – 127)	1100 (1300)	25 (34)
	with PTS2005	with GTS2010	6.7	6.7/2.0	3.0	2.6		30	180					

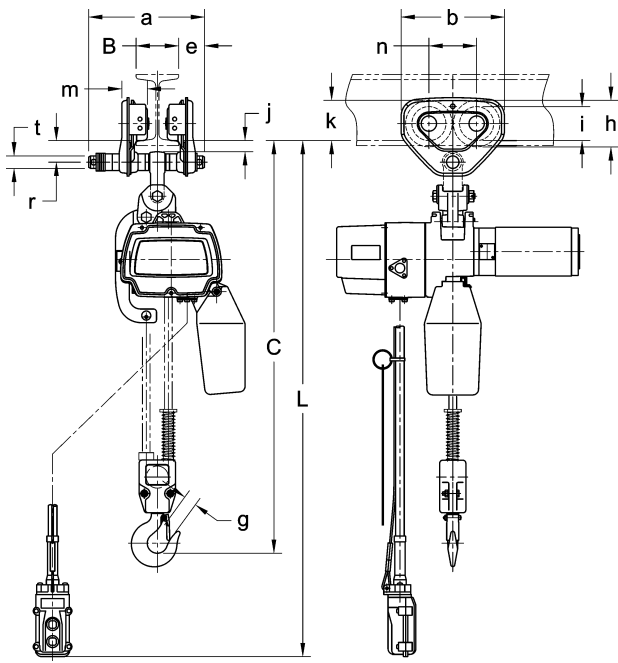
Figures in parenthesis are data for geared trolley.

Metric Dimensions – Single Speed or Dual Speed Hoist with Push Trolley:

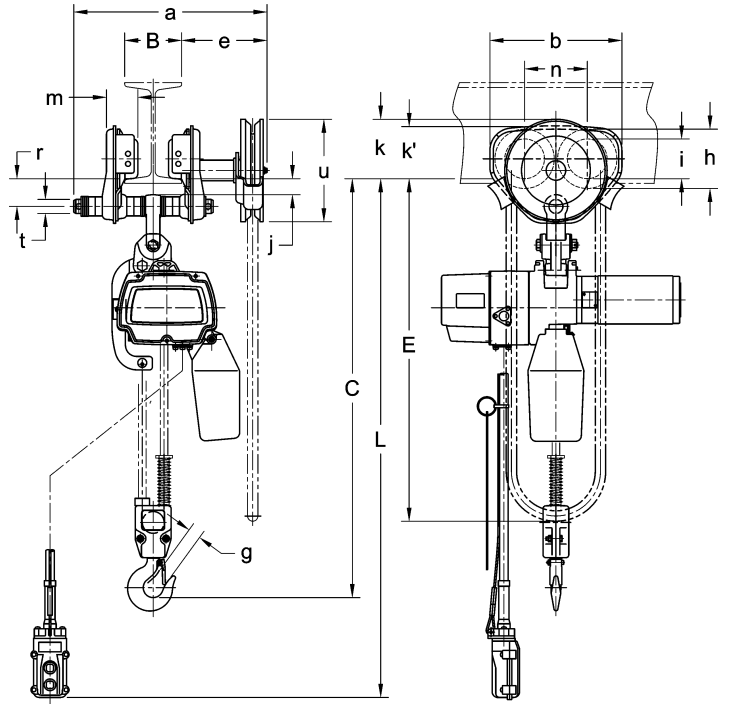
Capacity (kg)	Product Code		Headroom C (mm)	a (mm)	b (mm)	e (mm)	g (mm)	h (mm)	i (mm)	j (mm)	k (mm)	m (mm)	n (mm)	r (mm)	t (mm)
	Hoist	Trolley													
480	ED1050	PTS2005	520	204	182	46	24	82	60	19	76	48	84	38	22

Metric Dimensions – Single Speed or Dual Speed Hoist with Geared Trolley:

Capacity (kg)	Product Code		Headroom C (mm)	E (m)	a (mm)	b (mm)	e (mm)	g (mm)	h (mm)	i (mm)	j (mm)	k (mm)	k' (mm)	m (mm)	n (mm)	r (mm)	t (mm)	u (mm)
	Hoist	Trolley																
480	ED1050	GTS2010	533	2.3	345	236	152	24	106	71	28	94	107	56	112	51	25	183



ED1050 on PT Trolley



ED1050 on GT Trolley

GENERAL USE
 EDOC0319, REV 02
 January 28, 2010