

**Purpose:**

To provide Filter, Regulator and Lubricator specifications and dimensions for TCR and AH model air hoists.

**Specifications:**

Filter:

- 5 micron filter element
- Metal bowl with liquid level indicator
- TCR – Automatic drain
- AH - ¼-turn manual drain

Regulator:

- Large pressure adjustment knob
- Pressure gauge

Lubricator:

- Micro-Fog
- Metal bowl with liquid level indicator
- ¼-turn manual drain

Abbreviations:

- L = Lubricator
- FL = Filter and Lubricator
- FRL = Filter, Regulator and Lubricator

**Dimensions:**

**TCR Hoist with L, FL and FRL**

Cap. (Tons)	Product Code	a (in)			b (in)	d (in)	e (in)	g (in)	h (in)	k (in)
		L	FL	FRL					FRL	
1/4	TCR250C/P	14.2	16.6	20.3	12.6	6.1	3.7	2.1	3.8	15.6
1/2	TCR500C/P	14.2	16.6	20.3	12.6	6.1	3.7	2.1	3.8	15.6
1	TCR1000C/P2	14.2	16.6	20.3	12.6	6.1	3.7	2.1	3.8	15.6
1	TCR1000C/P	14.2	16.6	20.3	12.6	6.1	3.7	2.1	3.8	15.6
2	TCR2000C/P2	14.2	16.6	20.3	12.6	6.1	3.7	2.1	3.8	16.6
3	TCR3000C/P	16.6	19.0	22.7	15.0	8.0	3.7	2.1	3.8	18.4
6	TCR6000C/P2	16.6	19.0	22.7	15.0	8.0	3.7	2.1	3.8	19.4

**TCR Hoist with L, FL and FRL**

Cap. (Tons)	Product Code	a (mm)			b (mm)	d (mm)	e (mm)	g (mm)	h (mm)	k (mm)
		L	FL	FRL					FRL	
1/4	TCR250C/P	361	422	516	320	155	94	53	97	396
1/2	TCR500C/P	361	422	516	320	155	94	53	97	396
1	TCR1000C/P2	361	422	516	320	155	94	53	97	396
1	TCR1000C/P	361	422	516	320	155	94	53	97	396
2	TCR2000C/P2	361	422	516	320	155	94	53	97	422
3	TCR3000C/P	422	483	577	381	203	94	53	97	467
6	TCR6000C/P2	422	483	577	381	203	94	53	97	493

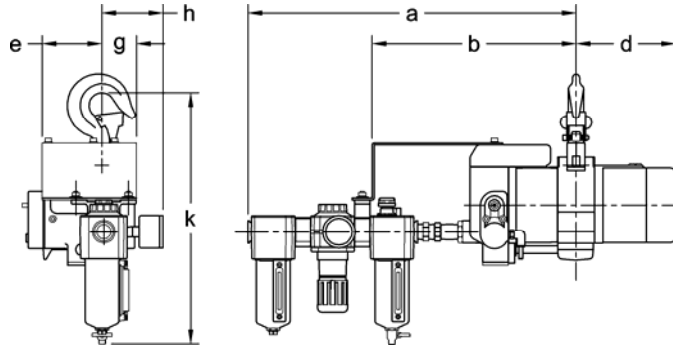


Figure 1 TCR Hoist with L, FL and FRL

**AH Hoist with L, FL and FRL Imperial Dimensions:**

Cap. (lbs.)	Product Code	a (in)		b (in)	d (in)	e (in)	g (in)	h (in)		k (in)
		C	P & M					L & FL	FRL	
250	AH250C/P/M	6.6	8.2	4.7	4.4	2.6	5.3	4.2	5.5	11.7
500	AH500C/P/M	6.6	8.2	4.7	4.4	2.6	5.3	4.2	5.5	11.7

**AH Hoist with L, FL and FRL Metric Dimensions:**

Cap. (kg)	Product Code	a (mm)		b (mm)	d (mm)	e (mm)	g (mm)	h (mm)		k (mm)
		C	P & M					L & FL	FRL	
115	AH250C/P/M	168	208	119	112	66	135	107	138	297
225	AH500C/P/M	168	208	119	112	66	135	107	138	297

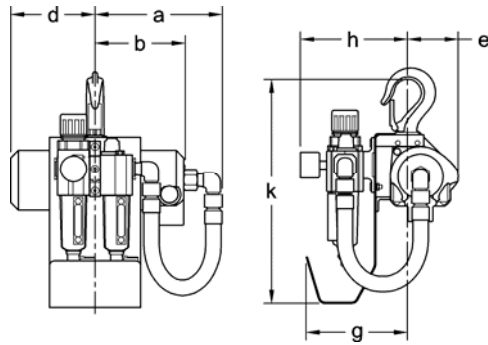


Figure 2 AH Hoist with L, FL and FRL