

Purpose:

To provide auxiliary catalog charts and figure for air chain hoists.

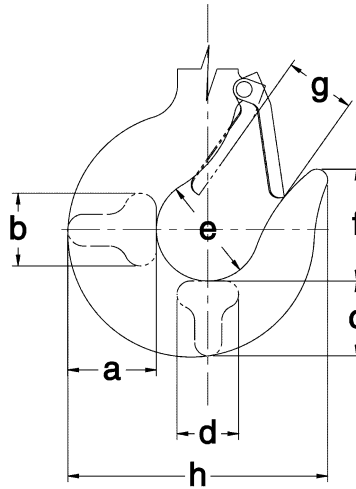


Figure 1 – Hook Dimensions

TCR Top and Bottom Hook Imperial Dimensions:

Product Code	a (in)	b (in)	c (in)	d (in)	e (in)	f (in)	g (in)	h (in)
TCR250C/P	1.4	0.9	1.1	0.9	1.6	1.6	1.1	4.2
TCR500C/P	1.4	0.9	1.1	0.9	1.6	1.6	1.1	4.2
TCR1000C2/P2	1.4	0.9	1.1	0.9	1.6	1.6	1.1	4.2
TCR1000C/P	1.4	0.9	1.1	0.9	1.6	1.6	1.1	4.2
TCR2000C2/P2	1.8	1.2	1.5	1.2	1.8	2.0	1.1	4.9
TCR3000C/P	2.0	1.5	1.7	1.3	2.0	2.4	1.3	5.9
TCR6000C2/P2	2.3	1.6	1.9	1.6	2.6	2.8	1.7	6.8
TCR10000C2/P2	2.8	2.4	2.4	2.2	2.4	2.6	1.6	7.1
TCR25000C2/P2	4.9	3.5	3.9	3.5	4.9	4.9	3.1	13.1

AH Top and Bottom Hook Imperial Dimensions:

Product Code	a (in)	b (in)	c (in)	d (in)	e (in)	f (in)	g (in)	h (in)
AH250C/P/M	0.7	0.8	0.6	0.8	1.4	1.3	0.9	2.9
AH500C/P/M	0.7	0.8	0.6	0.8	1.4	1.3	0.9	2.9

TCS Top and Bottom Hook Imperial Dimensions:

Product Code	a (in)	b (in)	c (in)	d (in)	e (in)	f (in)	g (in)	h (in)
TCS250C/P	0.6	0.8	0.6	0.8	1.4	1.3	1.0	2.9
TCS500C/P	0.6	0.8	0.6	0.8	1.4	1.3	1.0	2.9
TCS1000C2/P2	1.4	0.9	1.1	0.9	1.6	1.6	1.1	4.2

AL/W/S Top and Bottom Hook Imperial Dimensions:

Product Code	a (in)	b (in)	c (in)	d (in)	e (in)	f (in)	g (in)	h (in)
AL/S003C/P/R	1.02	0.79	1.02	0.79	1.50	1.32	1.14	3.43
AL/W/S005C/P/R	1.02	0.79	1.02	0.79	1.50	1.32	1.14	3.43
AL/W010C2/P2/R2	1.02	0.79	1.02	0.79	1.50	1.32	1.14	3.43
AL030C/P/R	1.65	1.26	1.40	1.10	2.28	2.32	1.97	5.20
AL050C2/P2/R2	1.97	1.57	1.73	1.30	2.76	2.72	2.36	6.30

TCK Hook Imperial Dimensions:

Product Code	a (in)	b (in)	c (in)	d (in)	e (in)	f (in)	g (in)	h (in)
TCK3000C/P (T&B)	2.0	1.5	1.8	1.3	2.0	2.4	1.3	5.9
TCK6000C2/P2 (T&B)	2.3	1.6	1.9	1.6	2.6	2.8	1.7	6.8

TCL Hook Imperial Dimensions:

Product Code	a (in)	b (in)	c (in)	d (in)	e (in)	f (in)	g (in)	h (in)
TCL250C/P	0.6	0.8	0.6	0.8	1.4	1.3	1.0	2.9
TCL500C/P	0.6	0.8	0.6	0.8	1.4	1.3	1.0	2.9
TCL1000C/P	1.4	0.9	1.1	0.9	1.6	1.6	1.1	4.2
TCL3000C/P (T&B)	2.0	1.5	1.8	1.3	2.0	2.4	1.3	5.9
TCL6000C2/P2 (T&B)	2.3	1.6	1.9	1.6	2.6	2.8	1.7	6.8

TCR Top and Bottom Hook Metric Dimensions:

Product Code	a (mm)	b (mm)	c (mm)	d (mm)	e (mm)	f (mm)	g (mm)	h (mm)
TCR250C/P	35	24	29	24	40	40	29	107
TCR500C/P	35	24	29	24	40	40	29	107
TCR1000C2/P2	35	24	29	24	40	40	29	107
TCR1000C/P	35	24	29	24	40	40	29	107
TCR2000C2/P2	45	30	37	30	45	52	29	124
TCR3000C/P	52	38	44	32	52	60	34	150
TCR6000C2/P2	58	40	48	40	65	72	42	172
TCR10000C2/P2	70	60	62	55	60	65	40	180
TCR25000C2/P2	125	90	100	90	125	126	80	333

AH Top and Bottom Hook Metric Dimensions:

Product Code	a (mm)	b (mm)	c (mm)	d (mm)	e (mm)	f (mm)	g (mm)	h (mm)
AH250C/P/M	19	20	15	20	36	34	24	73
AH500C/P/M	19	20	15	20	36	34	24	73

TCS Top and Bottom Hook Metric Dimensions:

Product Code	a (mm)	b (mm)	c (mm)	d (mm)	e (mm)	f (mm)	g (mm)	h (mm)
TCS 250C/P	15	20	15	20	36	33	25	74
TCS 500C/P	15	20	15	20	36	33	25	74
TCS 1000C2/P2	35	24	29	24	40	40	29	107

AL Top and Bottom Hook Metric Dimensions:

Product Code	a (mm)	b (mm)	c (mm)	d (mm)	e (mm)	f (mm)	g (mm)	h (mm)
AL/S003C/P/R	26	20	26	20	38	33.5	29	87
AL/W/S005C/P/R	26	20	26	20	38	33.5	29	87
AL/W010C2/P2/R2	26	20	26	20	38	33.5	29	87
AL030C/P/R	42	32	35.5	28	58	59	50	132
AL050C2/P2/R2	50	40	44	33	70	69	60	160

TCK Hook Metric Dimensions:

Product Code	a (mm)	b (mm)	c (mm)	d (mm)	e (mm)	f (mm)	g (mm)	h (mm)
TCK3000C/P (T&B)	52	38	45	32	50	60	34	149
TCK6000C2/P2 (T&B)	58	40	49	40	65	72	42	172

TCL Hook Metric Dimensions:

Product Code	a (mm)	b (mm)	c (mm)	d (mm)	e (mm)	f (mm)	g (mm)	h (mm)
TCL250C/P	15	20	15	20	36	33	25	74
TCL500C/P	15	20	15	20	36	33	25	74
TCL1000C/P	35	24	29	24	40	40	29	107
TCL3000C/P (T&B)	52	38	45	32	50	60	34	149
TCL6000C2/P2 (T&B)	58	40	49	40	65	72	42	172

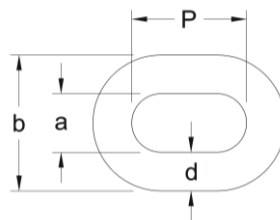


Figure 2 – Chain Dimensions

TCR Chain Imperial Dimensions:

Product Code	a (in)	b (in)	d (in)	p (in)
TCR250C/P	0.31	0.87	0.25	0.75
TCR500C/P				
TCR1000C2/P2				
TCR1000C/P	0.35	0.98	0.28	0.83

TCR2000C2/P2				
TCR3000C/P	0.55	1.54	0.44	1.34
TCR6000C2/P2				
TCR10000C2/P2	0.88	2.14	0.63	1.77
TCR25000C2/P2	1.22	2.95	0.87	2.60

AH Chain Imperial Dimensions:

Product Code	a (in)	b (in)	d (in)	p (in)
AH250C/P/M	0.20	0.53	0.16	0.48
AH500C/P/M				

TCS Chain Imperial Dimensions:

Product Code	a (in)	b (in)	d (in)	p (in)
TCS250C/P	0.31	0.87	0.25	0.75
TCS/LW/E 500C/P				
TCS/LW/E 1000C2/P2				

AL/W/S Chain Imperial Dimensions:

Product Code	a (in)	b (in)	d (in)	p (in)
AL/S003C/P/R	0.35	0.87	0.26	0.73
AL/W/S005C/P/R				
AL/W010C2/P2/R2				
AL030C/P/R	0.63	1.53	0.45	1.30
AL050C2/P2/R2				

TCK Chain Imperial Dimensions:

Product Code	a (in)	b (in)	d (in)	p (in)
TCK3000C/P	0.62	1.73	0.49	1.50
TCK6000C2/P2				

TCL Chain Imperial Dimensions:

Product Code	a (in)	b (in)	d (in)	p (in)
TCL250C/P	0.31	0.87	0.25	0.75
TCL500C/P				

TCL1000C2/P2				
TCL3000C/P	0.62	1.73	0.49	1.50
TCL6000C2/P2				

TCR Chain Metric Dimensions:

Product Code	a (mm)	b (mm)	d (mm)	p (mm)
TCR250C/P	8	22	6.3	19
TCR500C/P				
TCR1000C2/P2				
TCR1000C/P	9	25	7.1	21
TCR2000C2/P2				
TCR3000C/P	14	39	11.2	34
TCR6000C2/P2				
TCR10000C2/P2	22	54	16	45
TCR25000C2/P2	31	75	22	66

AH Chain Metric Dimensions:

Product Code	a (mm)	b (mm)	d (mm)	p (mm)
AH250C/P/M	5	13	4	12
AH500C/P/M				

TCS Chain Metric Dimensions:

Product Code	a (mm)	b (mm)	d (mm)	p (mm)
TCS250C/P	8	22	6.3	19
TCS500C/P				
TCS1000C2/P2				

AL Chain Metric Dimensions:

Product Code	a (mm)	b (mm)	d (mm)	p (mm)
AL/S003C/P/R	9	22	6.5	18.5
AL/W/S005C/P/R				
AL/W010C2/P2/R2				
AL030C/P/R	15.9	38.9	11.5	33
AL050C2/P2/R2				

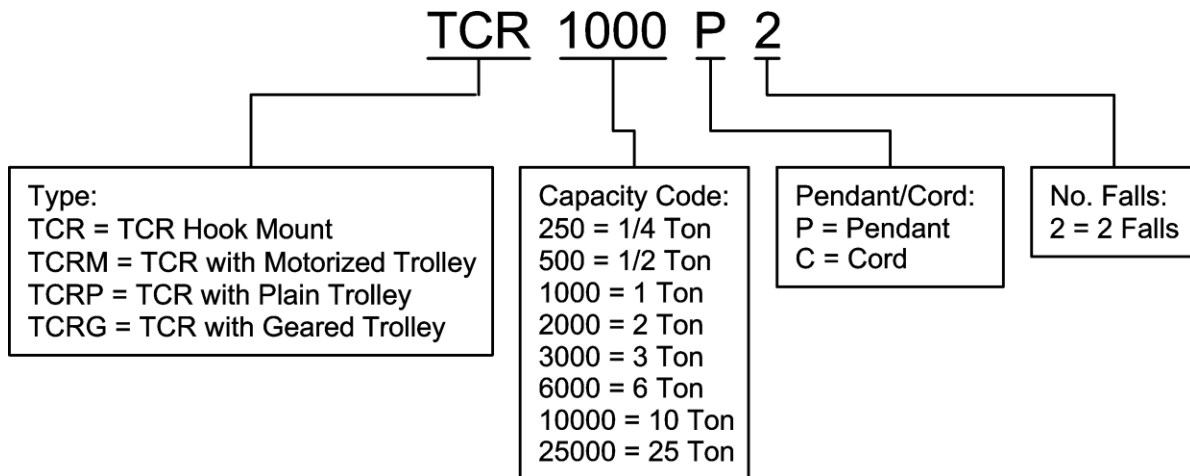
TCK Chain Metric Dimensions:

Product Code	a (mm)	b (mm)	d (mm)	p (mm)
TCK3000C/P	15.7	44.0	12.5	38.0
TCK6000C2/P2				

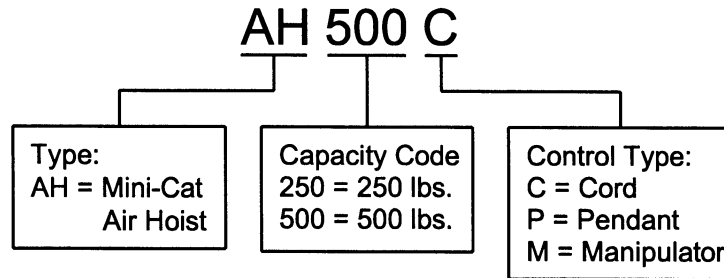
TCL Chain Metric Dimensions:

Product Code	a (mm)	b (mm)	d (mm)	p (mm)
TCL250C/P	8	22	6.3	19
TCL500C/P				
TCL1000C2/P2				
TCL3000C/P	15.7	44.0	12.5	38.0
TCL6000C2/P2				

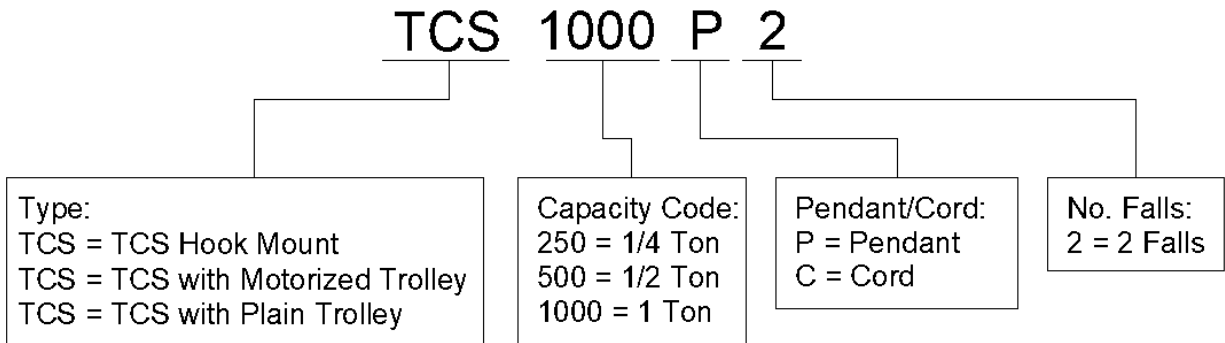
TCR Product Code Breakdown:



AH Product Code Breakdown:



TCS Product Code Breakdown:



AL/W/S Product Code Breakdown:

AL 010 P 2

Type:
 AL = AL (Lube Free) Hook Mount
 ALP = AL with Plain Trolley
 ALG = AL with Geared Trolley
 AW = AW (Wash Down) Hook Mount
 AS = AS (Spark Resistant) Hook Mount

Capacity Code:
 003 = 1/4 Ton
 005 = 1/2 Ton
 010 = 1 Ton
 030 = 3 Ton
 050 = 5 Ton

Pendant/Cord:
 P = Pendant
 C = Cord
 R = Twist Rod

No. Falls:
 2 = 2 Falls

TCK Product Code Breakdown:

TCK 6000 P 2

Type:
 TCK = TCK Hook Mount
 TCKM = TCK with Motorized Trolley
 TCKP = TCK with Plain Trolley
 TCKG = TCK with Geared Trolley

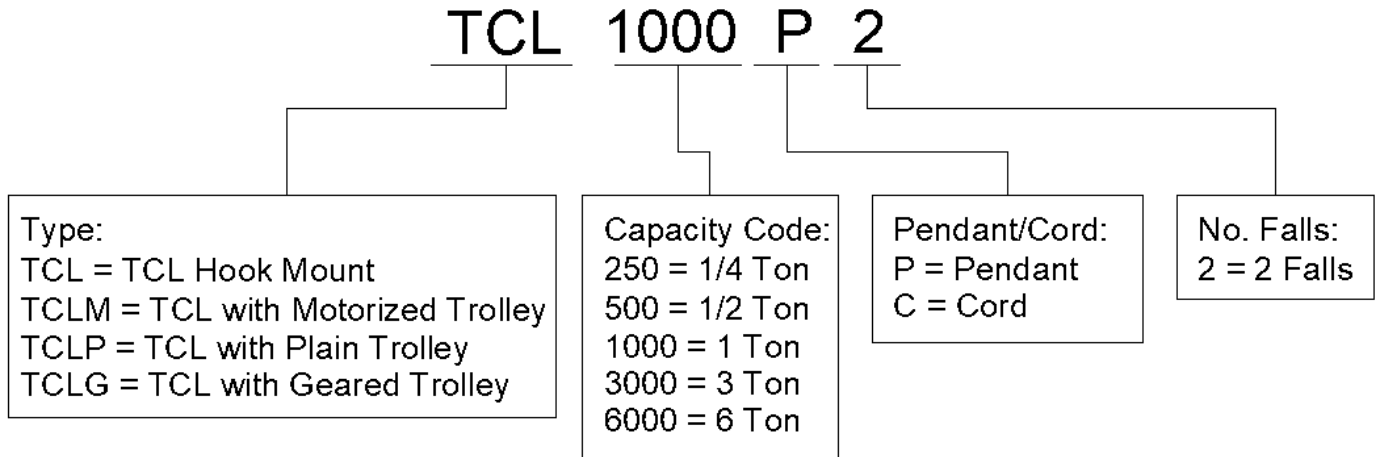
Capacity Code:
 3000 = 3 Ton
 6000 = 6 Ton

Pendant/Cord:
 P = Pendant
 C = Cord

No. Falls:
 2 = 2 Falls



TCL Product Code Breakdown:



END