

Purpose:

To provide specification and dimension information for the Pendant and Cord controlled TCR equipped with a Geared trolley (TCRG) and with a Push trolley (TCRP).

Scope:

The TCRG geared trolley hoist utilizes the TS2 trolley due to the length of the TCR requiring an extended hand wheel. The TCRP push trolley hoist utilizes the TF2 trolley. Reference EDOC0260, TCR Manual Trolley Suspension Configurations.

Table of Contents:

Trolley Type	Control Type	Document Type	Page
Geared /Push	Pendant Model	Specification	2
	Cord Model	Specification	3
Geared	Pendant/Cord Model	Dimensions	4
Geared	Pendant/Cord Model	Figures 1 and 2	5
Push	Pendant/Cord Model	Dimensions	6
Push	Pendant/Cord Model	Figures 3 and 4	7

IMPERIAL SPECIFICATION – TCR Pendant Model with Geared or Push Trolley

Cap. (Tons)	Product Code	Standard Lift (ft)	Push Button Hose L (ft)	Up/Down Speeds (ft/min @ 90 psi)		Up/Down Air Consumption Rates (cubic ft/min @ 90 psi)		Flange Width Adjustability B (in)		Minimum* Allow. Radius for Curve (in)	Load Chain Diameter (mm) x Chain Fall Lines	Net Weight (lbs)	Weight for Additional One Foot of Lift (lbs)			
				No Load	w/Full Load	No Load	w/Full Load	Standard	Optional							
				1/4	TCRP(TCRG)250P	10	7.5	68 / 44	52/51					63 / 49	48 / 57	2.28 to 4.00 (2.28 to 5.00)
1/2	TCRP(TCRG)500P	7.5	68 / 44	37/57	63 / 49		48 / 57	2.28 to 5.00	5.01 to 8.00 OR 8.01 to 12.00	17.7 (51.2)	6.3 x 1	76(96)	0.6(1.2)			
1	TCRP(TCRG)1000P2	7.5	34 / 22	19 / 29	63 / 49		48 / 57				7.1 x 1	94(108)	1.2(1.8)			
1	TCRP(TCRG)1000P	7.5	37 / 22	21 / 33	62 / 53		53 / 60							3.23 to 6.02	6.03 to 12.00	21.7 (59.1)
2	TCRP(TCRG)2000P2	7.5	19 / 11	11/ 16	62 / 53		53 / 60				11.2 x 1	113(130)	1.5(2.1)			
3	TCRP(TCRG)3000P	8.0	18 / 11	10 / 15	90 / 65		71 / 74									
6	TCRP(TCRG)6000P2	8.0	9 / 5	5 / 7	90 / 65		71 / 74	5.50 to 8.66	8.67 to 12.00	118.1	11.2 x 2	409(444)	4.0(4.6)			

Figures in parenthesis are data for geared trolley
 *Minimum flange width for curved beam: 1 Ton Push and 1/8 to 1Ton Geared = 2.87 in.
 3 Ton Push and Geared = 3.50 in.

METRIC SPECIFICATION – TCR Pendant Model with Geared or Push Trolley

Cap. (Tons)	Product Code	Standard Lift (m)	Push Button Hose L (m)	Up/Down Speeds (m/min @ 0.6 MPa)		Up/Down Air Consumption Rates (cubic m/min @ 0.6 MPa)		Flange Width Adjustability B (mm)		Minimum* Allow. Radius for Curve (mm)	Load Chain Diameter (mm) x Chain Fall Lines	Net Weight (kg)	Weight for Additional One Meter of Lift (kg)			
				No Load	w/Full Load	No Load	w/Full Load	Standard	Optional							
				1/4	TCRP(TCRG)250P	3.0	2.3	20.5 / 13.5	16 / 15.5					1.8 / 1.4	1.4 / 1.6	58 to 102 (58 to 127)
1/2	TCRP(TCRG)500P	2.3	20.5 / 13.5	11.5 / 17.5	1.8 / 1.4		1.4 / 1.6	58 to 127	128 to 203 OR 204 to 305	450 (1300)	6.3 x 1	34(44)	0.9(1.8)			
1	TCRP(TCRG)1000P2	2.3	10.25 / 6.75	5.75 / 8.75	1.8 / 1.4		1.4 / 1.6				7.1 x 1	41(48)	1.2(2.1)			
1	TCRP(TCRG)1000P	2.3	11.25 / 6.75	6.5 / 10	1.8 / 1.5		1.5 / 1.7							82 to 153	154 to 305	550 (1500)
2	TCRP(TCRG)2000P2	2.3	5.75 / 3.25	3.5 / 5	1.8 / 1.5		1.5 / 1.7				11.2 x 1	86(94)	3.0(3.9)			
3	TCRP(TCRG)3000P	2.4	5.5 / 3.25	3 / 4.5	2.6 / 1.8		2.0 / 2.1									
6	TCRP(TCRG)6000P2	2.4	2.75 / 1.75	1.5 / 2.25	2.6 / 1.8		2.0 / 2.1	140 to 220	221 to 305	3000	11.2 x 2	186(202)	6.0(6.8)			

Figures in parenthesis are data for geared trolley
 *Minimum flange width for curved beam: 1 Ton Push and 1/8 to 1Ton Geared = 73 mm
 3 Ton Push and Geared = 89 mm

IMPERIAL SPECIFICATION – TCR Cord Model with Geared or Push Trolley

Cap. (Tons)	Product Code	Standard Lift (ft)	Cord L (ft)	Up/Down Speeds (ft/min @ 90 psi)		Up/Down Air Consumption Rates (cubic ft/min @ 90 psi)		Flange Width Adjustability B (in)		Minimum* Allow. Radius for Curve (in)	Load Chain Diameter (mm) x Chain Fall Lines	Net Weight (lbs)	Weight for Additional One Foot of Lift (lbs)			
				No Load	w/Full Load	No Load	w/Full Load	Standard	Optional							
				1/4	TCRP(TCRG)250C	10	7.5	68 / 44	52/51					63 / 49	48 / 57	2.28 to 4.00 (2.28 to 5.00)
1/2	TCRP(TCRG)500C	7.5	68 / 44	37/57	63 / 49		48 / 57	2.28 to 5.00	5.01 to 8.00 OR 8.01 to 12.00	17.7 (51.2)	6.3 x 1	73(94)	0.6(1.2)			
1	TCRP(TCRG)1000C2	7.5	34 / 22	19 / 29	63 / 49		48 / 57				7.1 x 1	89(103)	1.2(1.8)			
1	TCRP(TCRG)1000C	7.5	37 / 22	21 / 33	62 / 53		53 / 60							3.23 to 6.02	6.03 to 12.00	21.7 (59.1)
2	TCRP(TCRG)2000C2	7.5	19 / 11	11/ 16	62 / 53		53 / 60				11.2 x 1	111(128)	1.5(2.1)			
3	TCRP(TCRG)3000C	8.0	18 / 11	10 / 15	90 / 65		71 / 74									
6	TCRP(TCRG)6000C2	8.0	9 / 5	5 / 7	90 / 65		71 / 74	5.50 to 8.66	8.67 to 12.00	118.1	11.2 x 2	407(442)	4.0(4.6)			

Figures in parenthesis are data for geared trolley
 *Minimum flange width for curved beam: 1 Ton Push and 1/8 to 1Ton Geared = 2.87 in.
 3 Ton Push and Geared = 3.50 in.

METRIC SPECIFICATION – TCR Cord Model with Geared or Push Trolley

Cap. (Tons)	Product Code	Standard Lift (m)	Cord L (m)	Up/Down Speeds (m/min @ 0.6 MPa)		Up/Down Air Consumption Rates (cubic m/min @ 0.6 MPa)		Flange Width Adjustability B (mm)		Minimum* Allow. Radius for Curve (mm)	Load Chain Diameter (mm) x Chain Fall Lines	Net Weight (kg)	Weight for Additional One Meter of Lift (kg)			
				No Load	w/Full Load	No Load	w/Full Load	Standard	Optional							
				1/4	TCRP(TCRG)250P	3.0	2.3	20.5 / 13.5	16 / 15.5					1.8 / 1.4	1.4 / 1.6	58 to 102 (58 to 127)
1/2	TCRP(TCRG)500P	2.3	20.5 / 13.5	11.5 / 17.5	1.8 / 1.4		1.4 / 1.6	58 to 127	128 to 203 OR 204 to 305	450 (1300)	6.3 x 1	33(43)	0.9(1.8)			
1	TCRP(TCRG)1000P2	2.3	10.25 / 6.75	5.75 / 8.75	1.8 / 1.4		1.4 / 1.6				7.1 x 1	40(47)	1.2(2.1)			
1	TCRP(TCRG)1000P	2.3	11.25 / 6.75	6.5 / 10	1.8 / 1.5		1.5 / 1.7							82 to 153	154 to 305	550 (1500)
2	TCRP(TCRG)2000P2	2.3	5.75 / 3.25	3.5 / 5	1.8 / 1.5		1.5 / 1.7				11.2 x 1	85(93)	3.0(3.9)			
3	TCRP(TCRG)3000P	2.4	5.5 / 3.25	3 / 4.5	2.6 / 1.8		2.0 / 2.1									
6	TCRP(TCRG)6000P2	2.4	2.75 / 1.75	1.5 / 2.25	2.6 / 1.8		2.0 / 2.1	140 to 220	221 to 305	3000	11.2 x 2	185(201)	6.0(6.8)			

Figures in parenthesis are data for geared trolley
 *Minimum flange width for curved beam: 1 Ton Push and 1/8 to 1Ton Geared = 73 mm
 3 Ton Push and Geared = 89 mm

IMPERIAL DIMENSIONS – TCR Cord and Pendant Models with Geared Trolley – Figures 1 and 2

Cap. (Tons)	Product Code	Headroom C (in)	E (ft)	a (in)	b (in)	e (in)	g (in)	h (in)	i (in)	j (in)	k (in)	k' (in)	m (in)	n (in)	r (in)	t (in)	u (in)
1/4	TCRG250C/P	19.0	10.5	20.9	9.3	13.3	1.1	4.2	2.80	1.0	3.7	4.2	2.2	4.4	2.0	0.98	7.2
1/2	TCRG500C/P	19.0	10.5	20.9	9.3	13.3	1.1	4.2	2.80	1.0	3.7	4.2	2.2	4.4	2.0	0.98	7.2
1	TCRG1000C2/P2	21.3	10.5	20.9	9.3	13.3	1.1	4.2	2.80	0.9	3.7	4.2	2.2	4.4	2.0	0.98	7.2
1	TCRG1000C/P	19.2	10.5	20.9	9.3	13.3	1.1	4.2	2.80	1.0	3.7	4.2	2.2	4.4	2.0	0.98	7.2
2	TCRG2000C2/P2	21.9	10.5	24.8	11.0	13.3	1.1	5.0	3.35	1.0	4.4	4.3	2.8	5.2	2.4	1.26	7.2
3	TCRG3000C/P	21.6	11.0	25.4	12.8	15.9	1.3	5.8	3.94	1.5	5.3	4.5	3.1	6.0	2.7	1.42	7.2
6	TCRG6000C2/P2	29.0	11.4	20.6	18.9	7.0	1.7	7.3	6.10	3.8	6.7	6.5	10.6	7.7	6.0	2.76	8.4

METRIC DIMENSIONS – TCR Cord and Pendant Models with Geared Trolley – Figures 1 and 2

Cap. (Tons)	Product Code	Headroom C (mm)	E (m)	a (mm)	b (mm)	e (mm)	g (mm)	h (mm)	i (mm)	j (mm)	k (mm)	k' (mm)	m (mm)	n (mm)	r (mm)	t (mm)	u (mm)
1/4	TCRG250C/P	484	3.2	531	236	338	28	106	71	25	95	106	56	112	52	25	183
1/2	TCRG500C/P	484	3.2	531	236	338	28	106	71	25	95	106	56	112	52	25	183
1	TCRG1000C2/P2	541	3.2	531	236	338	28	106	71	23	95	106	56	112	52	25	183
1	TCRG1000C/P	488	3.2	531	236	338	28	106	71	25	95	106	56	112	52	25	183
2	TCRG2000C2/P2	555	3.2	630	280	338	28	127	85	25	112	109	71	131	62	32	183
3	TCRG3000C/P	548	3.4	645	324	404	33	148	100	38	134	114	80	152	68	36	183
6	TCRG6000C2/P2	737	3.5	523	480	178	43	185	155	97	171	165	269	196	153	70	214

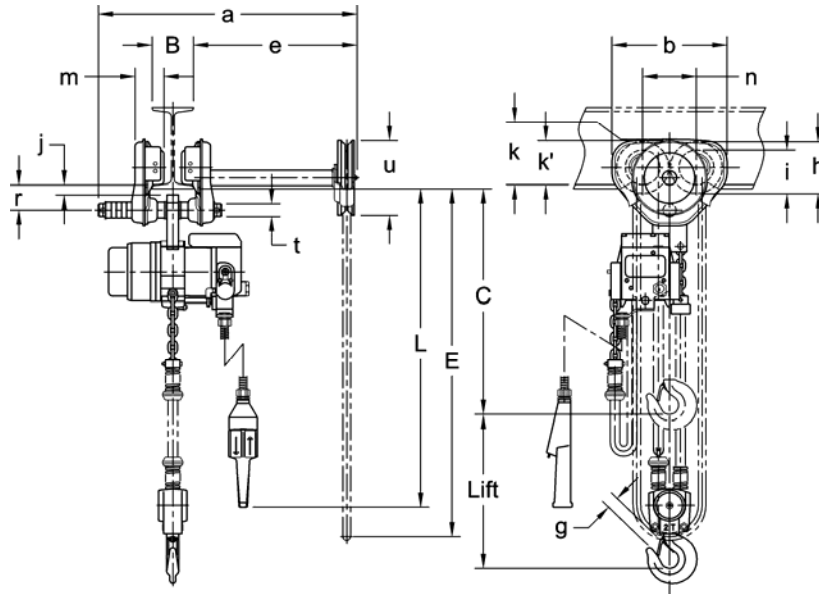


Figure 1 TCRG2000P2

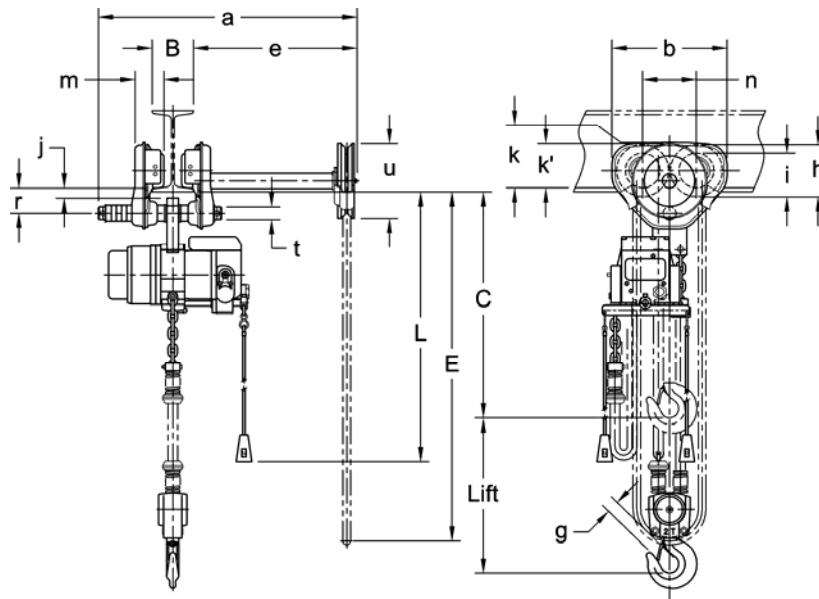


Figure 2 TCRG2000C2

IMPERIAL DIMENSIONS – TCR Cord and Pendant Models with Push Trolley – Figures 3 and 4

Cap. (Tons)	Product Code	Headroom C (in)	a (in)	b (in)	e (in)	g (in)	h (in)	i (in)	j (in)	k (in)	m (in)	n (in)	r (in)	t (in)
1/4	TCRP250C/P	18.6	8.0	7.2	1.8	1.1	3.2	2.36	0.5	3.0	1.9	3.3	1.5	0.87
1/2	TCRP500C/P	18.6	8.0	7.2	1.8	1.1	3.2	2.36	0.5	3.0	1.9	3.3	1.5	0.87
1	TCRP1000C2/P2	21.3	9.8	9.3	2.2	1.1	4.2	2.80	0.9	3.7	2.2	4.4	2.0	0.98
1	TCRP1000C/P	19.2	9.8	9.3	2.2	1.1	4.2	2.80	1.0	3.7	2.2	4.4	2.0	0.98
2	TCRP2000C2/P2	21.9	11.8	11.0	2.7	1.1	5.0	3.35	1.0	4.4	2.8	5.2	2.4	1.26
3	TCRP3000C/P	21.6	12.6	12.8	3.1	1.3	5.8	3.94	1.5	5.3	3.1	6.0	2.7	1.42
6	TCRP6000C2/P2	29.0	17.6	18.9	4.1	1.7	7.3	6.10	3.8	6.7	3.4	7.7	6.0	2.76

METRIC DIMENSIONS – TCR Cord and Pendant Models with Push Trolley – Figures 3 and 4

Cap. (Tons)	Product Code	Headroom C (mm)	a (mm)	b (mm)	e (mm)	g (mm)	h (mm)	i (mm)	j (mm)	k (mm)	m (mm)	n (mm)	r (mm)	t (mm)
1/4	TCRP250C/P	472	204	182	46	28	82	60	13	76	48	84	38	22
1/2	TCRP500C/P	472	204	182	46	28	82	60	13	76	48	84	38	22
1	TCRP1000C2/P2	541	249	236	56	28	106	71	23	95	56	112	52	25
1	TCRP1000C/P	488	249	236	56	28	106	71	25	95	56	112	52	25
2	TCRP2000C2/P2	555	300	280	69	28	127	85	25	112	71	131	62	32
3	TCRP3000C/P	548	320	324	79	33	148	100	38	134	80	152	68	36
6	TCRP6000C2/P2	737	447	480	104	43	185	155	97	171	86	196	153	70

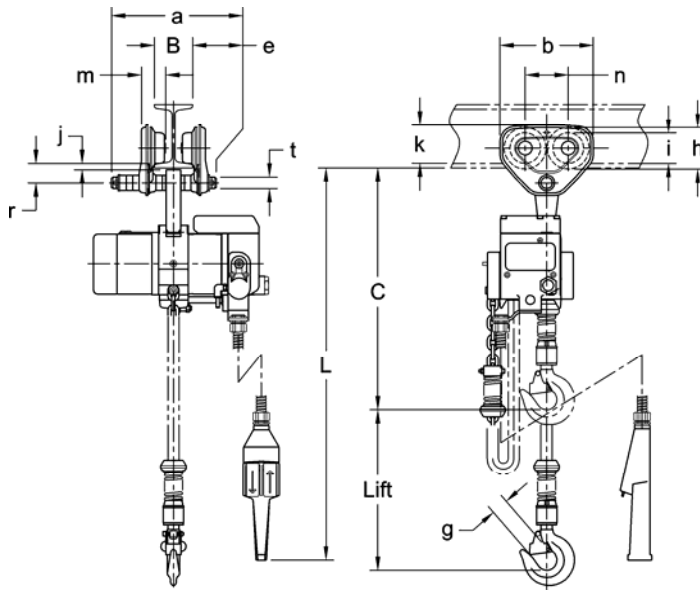


Figure 3 TCRP500P

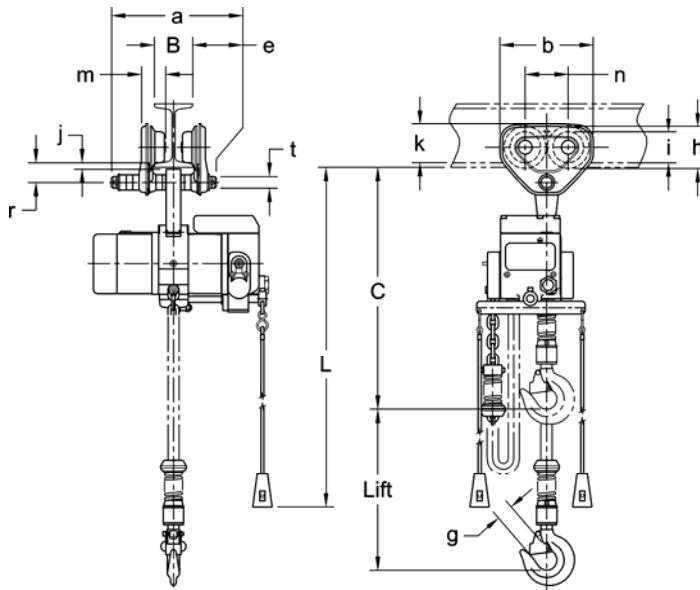


Figure 4 TCRP500C