

**Purpose:**

To provide dimension and specification information for a TCR model air chain hoist.

**Table of Contents:**

<b>TCR Model</b>	<b>Document Type</b>	<b>Page</b>
Pendant	Imperial Specification/Dimension/Figures	2
Pendant	Metric Specification/Dimension/Figures	2
Cord	Imperial Specification/Dimension/Figures	4
Cord	Metric Specification/Dimension/Figures	4

**TCR Pendant Model:**

**Imperial Specifications:**

Cap. (Tons)	Product Code	Standard Lift (ft)	Push Button Hose L (ft)	Up/Down Speeds (ft/min @ 90 psi)		Up/Down Air Consumption Rates (cubic ft/min @ 90 psi)		Load Chain Diameter (mm) x Chain Fall Lines	Net Weight (lbs)	Weight for Additional One Foot of Lift (lbs)
				No Load	w/Full Load	No Load	w/Full Load			
1/4	TCR250P	10	7.5	68 / 44	52 / 51	63 / 49	48 / 57	6.3 x 1	68	0.6
1/2	TCR500P		7.5	68 / 44	37 / 57	63 / 49	48 / 57	6.3 x 1	68	0.6
1	TCR1000P2		7.5	34 / 22	19 / 29	63 / 49	48 / 57	6.3 x 2	78	1.2
1	TCR1000P		7.5	37 / 22	21 / 33	62 / 53	53 / 60	7.1 x 1	77	0.8
2	TCR2000P2		7.5	19 / 11	11 / 16	62 / 53	53 / 60	7.1 x 2	88	1.5
3	TCR3000P		8.0	18 / 11	10 / 15	90 / 65	71 / 74	11.2 x 1	152	2.0
6	TCR6000P2		8.0	9 / 5	5 / 7	90 / 65	71 / 74	11.2 x 2	198	4.0

**Imperial Dimensions:**

Cap. (Tons)	Product Code	Headroom C (in)	a (in)	b (in)	d (in)	e (in)	g (in)	h (in)	i (in)	j (in)
1/4	TCR250P	18.2	13.5	6.9	6.1	6.6	1.2	4.9	2.0	1.3
1/2	TCR500P	18.2	13.5	6.9	6.1	6.6	1.2	4.9	2.0	1.3
1	TCR1000P2	20.4	13.5	7.7	6.1	6.6	1.2	5.9	1.9	2.2
1	TCR1000P	18.3	13.5	6.9	6.1	6.6	1.2	4.9	2.0	1.3
2	TCR2000P2	21.8	13.5	8.0	6.1	6.6	1.2	6.0	2.0	2.3
3	TCR3000P	22.2	17.7	8.9	8.0	9.0	1.3	1.9	6.9	1.7
6	TCR6000P2	26.5	17.7	11.1	8.0	9.0	1.7	2.5	8.7	3.4

**Metric Specifications:**

Cap. (Tons)	Product Code	Standard Lift (m)	Push Button Hose L (m)	Up/Down Speeds (m/min @ 0.6 MPa)		Up/Down Air Consumption Rates (cubic m/min @ 0.6 MPa)		Load Chain Diameter (mm) x Chain Fall Lines	Net Weight (kg)	Weight for Additional One Meter of Lift (kg)
				No Load	w/Full Load	No Load	w/Full Load			
1/4	TCR250P	3.0	2.3	20.5 / 13.5	16 / 15.5	1.8 / 1.4	1.4 / 1.6	6.3 x 1	31	0.9
1/2	TCR500P		2.3	20.5 / 13.5	11.5 / 17.5	1.8 / 1.4	1.4 / 1.6	6.3 x 1	31	0.9
1	TCR1000P2		2.3	10.25 / 6.75	5.75 / 8.75	1.8 / 1.4	1.4 / 1.6	6.3 x 2	35.5	1.8
1	TCR1000P		2.3	11.25 / 6.75	6.5 / 10	1.8 / 1.5	1.5 / 1.7	7.1 x 1	35	1.2
2	TCR2000P2		2.3	5.75 / 3.25	3.5 / 5	1.8 / 1.5	1.5 / 1.7	7.1 x 2	40	2.2
3	TCR3000P		2.4	5.5 / 3.25	3 / 4.5	2.5 / 1.8	2.0 / 2.1	11.2 x 1	69	3.0
6	TCR6000P2		2.4	2.75 / 1.75	1.5 / 2.25	2.5 / 1.8	2.0 / 2.1	11.2 x 2	90	6.0

**Metric Dimensions:**

Cap. (Tons)	Product Code	Headroom C (mm)	a (mm)	b (mm)	d (mm)	e (mm)	g (mm)	h (mm)	i (mm)	j (mm)
1/4	TCR250P	462	342	176	156	167	30	125	52	32
1/2	TCR500P	462	342	176	156	167	30	125	52	32
1	TCR1000P2	518	342	196	156	167	30	149	47	56
1	TCR1000P	465	342	176	156	167	30	125	52	32
2	TCR2000P2	554	342	202	156	167	30	152	52	59
3	TCR3000P	564	449	226	202	228	34	49	174	43
6	TCR6000P2	673	449	283	202	228	42	64	220	87

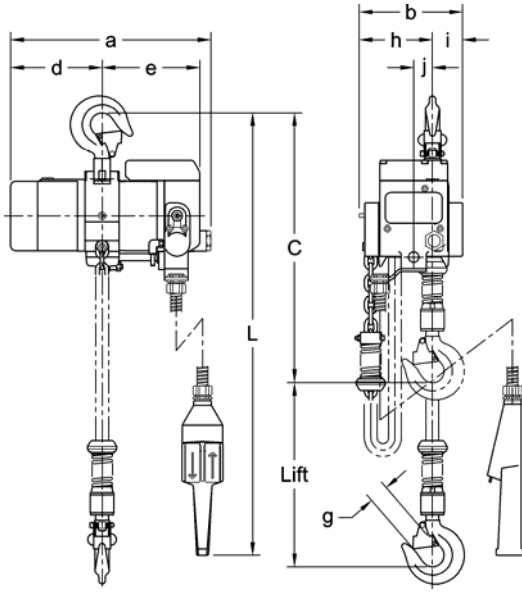


Figure 1 TCR500P – Single Fall Pendant Model

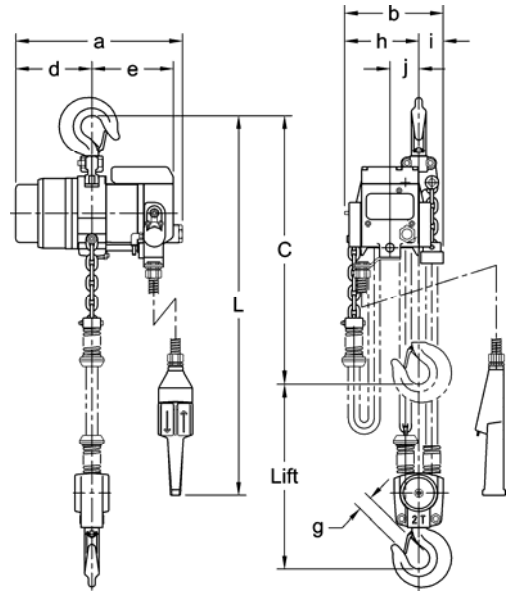


Figure 2 TCR2000P2 – Double Fall Pendant Model

**TCR Cord Model:**

**Imperial Specifications:**

Cap. (Tons)	Product Code	Standard Lift (ft)	Cord L (ft)	Up/Down Speeds (ft/min @ 90 psi)		Up/Down Air Consumption Rates (cubic ft/min @ 90 psi)		Load Chain Diameter (mm) x Chain Fall Lines	Net Weight (lbs)	Weight for Additional One Foot of Lift (lbs)
				No Load	w/Full Load	No Load	w/Full Load			
1/4	TCR250C	10	7.5	68 / 44	52 / 51	63 / 49	48 / 57	6.3 x 1	66	0.6
1/2	TCR500C		7.5	68 / 44	37 / 57	63 / 49	48 / 57	6.3 x 1	66	0.6
1	TCR1000C2		7.5	34 / 22	19 / 29	63 / 49	48 / 57	6.3 x 2	76	1.2
1	TCR1000C		7.5	37 / 22	21 / 33	62 / 53	53 / 60	7.1 x 1	75	0.8
2	TCR2000C2		7.5	19 / 11	11 / 16	62 / 53	53 / 60	7.1 x 2	86	1.5
3	TCR3000C		8.0	18 / 11	10 / 15	90 / 65	71 / 74	11.2 x 1	150	2.0
6	TCR6000C2		8.0	9 / 5	5 / 7	90 / 65	71 / 74	11.2 x 2	196	4.0

**Imperial Dimensions:**

Cap. (Tons)	Product Code	Headroom C (in)	a (in)	b (in)	d (in)	e (in)	g (in)	h (in)	i (in)	j (in)	k (in)
1/4	TCR250C	18.2	13.5	6.9	6.1	6.6	1.2	4.9	2.0	1.3	8.3
1/2	TCR500C	18.2	13.5	6.9	6.1	6.6	1.2	4.9	2.0	1.3	8.3
1	TCR1000C2	20.4	13.5	7.7	6.1	6.6	1.2	5.9	1.9	2.2	8.3
1	TCR1000C	18.3	13.5	6.9	6.1	6.6	1.2	4.9	2.0	1.3	8.3
2	TCR2000C2	21.8	13.5	8.0	6.1	6.6	1.2	6.0	2.0	2.3	8.3
3	TCR3000C	22.2	17.7	8.9	8.0	9.0	1.3	1.9	6.9	1.7	8.3
6	TCR6000C2	26.5	17.7	11.1	8.0	9.0	1.7	2.5	8.7	3.4	8.3

**Metric Specifications:**

Cap. (Tons)	Product Code	Standard Lift (m)	Cord L (m)	Up/Down Speeds (m/min @ 0.6 MPa)		Up/Down Air Consumption Rates (cubic m/min @ 0.6 MPa)		Load Chain Diameter (mm) x Chain Fall Lines	Net Weight (kg)	Weight for Additional One Meter of Lift (kg)
				No Load	w/Full Load	No Load	w/Full Load			
1/4	TCR250C	3.0	2.3	20.5 / 13.5	16 / 15.5	1.8 / 1.4	1.4 / 1.6	6.3 x 1	30	0.9
1/2	TCR500C		2.3	20.5 / 13.5	11.5 / 17.5	1.8 / 1.4	1.4 / 1.6	6.3 x 1	30	0.9
1	TCR1000C2		2.3	10.25 / 6.75	5.75 / 8.75	1.8 / 1.4	1.4 / 1.6	6.3 x 2	34.5	1.8
1	TCR1000C		2.3	11.25 / 6.75	6.5 / 10	1.8 / 1.5	1.5 / 1.7	7.1 x 1	34	1.2
2	TCR2000C2		2.3	5.75 / 3.25	3.5 / 5	1.8 / 1.5	1.5 / 1.7	7.1 x 2	39	2.2
3	TCR3000C		2.4	5.5 / 3.25	3 / 4.5	2.5 / 1.8	2.0 / 2.1	11.2 x 1	68	3.0
6	TCR6000C2		2.4	2.75 / 1.75	1.5 / 2.25	2.5 / 1.8	2.0 / 2.1	11.2 x 2	89	6.0

**Metric Dimensions:**

Cap. (Tons)	Product Code	Headroom C (mm)	a (mm)	b (mm)	d (mm)	e (mm)	g (mm)	h (mm)	i (mm)	j (mm)	k (mm)
1/4	TCR250C	462	342	176	156	167	30	125	52	32	211
1/2	TCR500C	462	342	176	156	167	30	125	52	32	211
1	TCR1000C2	518	342	196	156	167	30	149	47	56	211
1	TCR1000C	465	342	176	156	167	30	125	52	32	211
2	TCR2000C2	554	342	202	156	167	30	152	52	59	211
3	TCR3000C	564	449	226	202	228	34	49	174	43	211
6	TCR6000C2	673	449	283	202	228	42	64	220	87	211

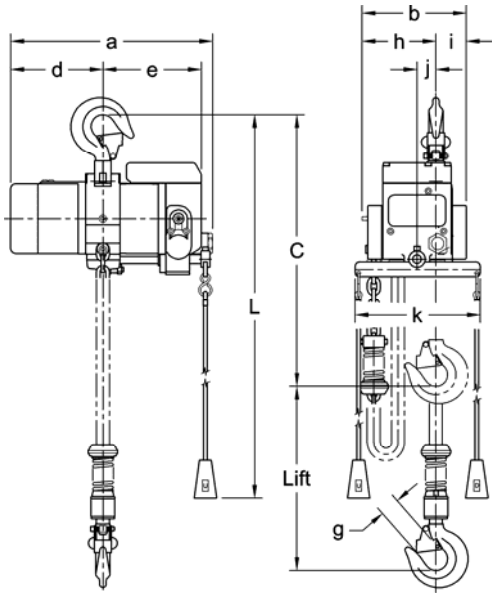


Figure 3 TCR500C – Single Fall Cord Model

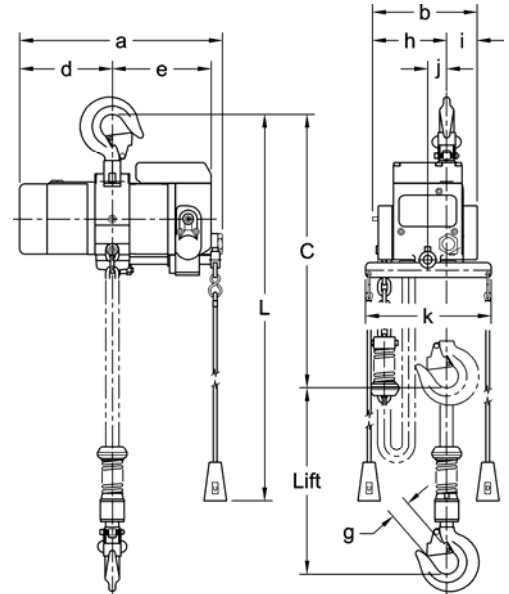


Figure 4 TCR2000C2 – Double Fall Cord Model