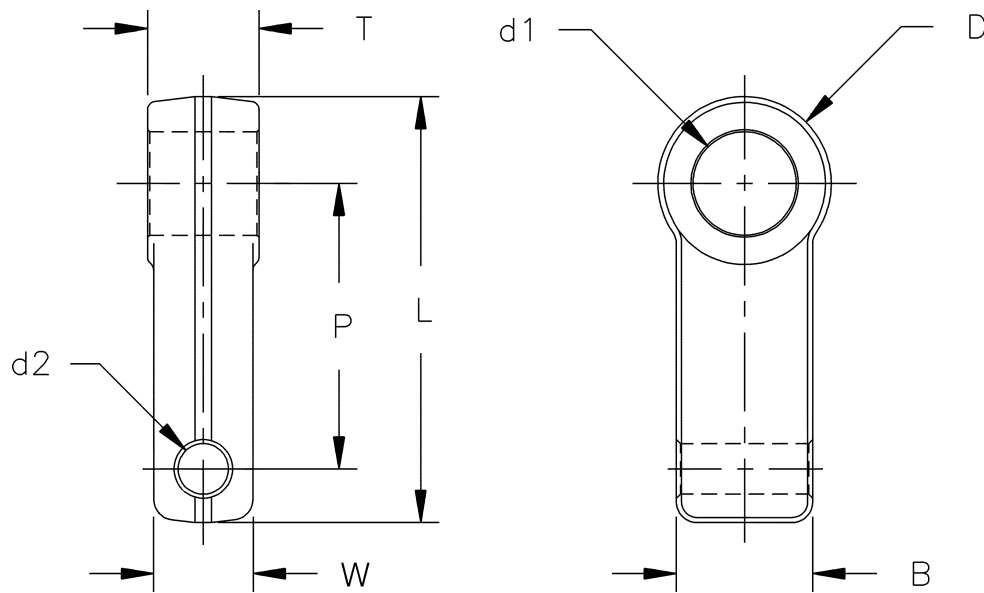


Description:

Suspender E is used to connect ER, NER and SNER hoists to TF2 and TS2 trolleys resulting in the hoist oriented parallel to the trolley beam. Note the hoist must be equipped with a Connection Yoke to utilize this Suspender.

Dimensions:



Part Number	Capacities (Ton)	Dimensions - in (mm)							
		d1	D	d2	B	P	L	T	W
T7GB004005	1/8 to 1/2	0.874 (22.2)	1.46 (37.0)	0.480 (12.2)	1.30 (33.0)	2.36 (60.0)	3.60 (91.5)	1.06 (27.0)	0.94 (24.0)
T7GB004010	1	0.992 (25.2)	1.65 (42.0)	0.480 (12.2)	1.30 (33.0)	2.72 (69.0)	4.06 (103.0)	1.06 (27.0)	0.94 (24.0)
T7GB004020	1 1/2 to 2	1.268 (32.2)	2.13 (54.0)	0.795 (20.2)	1.73 (44.0)	2.99 (76.0)	4.84 (123.0)	1.54 (39.0)	1.42 (36.0)
T7GB004030	2 1/2 to 3	1.425 (36.2)	2.48 (63.0)	0.795 (20.2)	1.73 (44.0)	3.35 (85.0)	5.47 (139.0)	1.54 (39.0)	1.77 (45.0)