

For Boeing versions of the L5LB lever hoist, the following paragraphs, tables and figures replace in their entirety the corresponding paragraphs, tables and figures in the “*Lever Operated Chain Hoist, LB Series, Model L5, ¾ Ton through 9 Ton Capacity*” Owner’s Manual.

4.3 Hoist Operation

4.3.1 Free Chain Principle

- The free chain capability of Boeing version is disabled.
- **⚠ DANGER** Do not touch the hoist Free Knob during lifting or lowering of the load.
- **⚠ WARNING** Always check that the selector is placed in the proper position.

4.3.3 Lifting and Lowering Operation – Operating the lever with the selector set to the lifting “UP” or the lowering “DN” position, the hoist performs as follows:

- 1) Set the selector to the direction of load movement desired and ratchet the lever back and forth. Refer to [Table 4-1](#).
- 2) In lifting mode, the mechanical brake is engaged and supports the load on the pawls when the lever stops.
- 3) In lowering mode, lever operation releases the mechanical brake and lowers the load, when the lever stops, the mechanical brake is engaged and supports the load.
- 4) The brake is always engaged in the lifting and lowering modes.
- 5) If hand lever movement does not produce lifting, pull down the load side of the load chain while ratcheting until load chain slack is removed.

Table 4-1 Hoist/Lever Operation

Selector Position	Lever Rotation	Load Movement
UP	Clockwise	Lift
DN	Counterclockwise	Lower

4.3.5 **⚠ CAUTION** Before operating, make sure that the selector is in the correct operating position.

4.3.6 **⚠ CAUTION** Under no load conditions, in the case that the load chain does not lower against your lowering operation, operate the grip with the load-side chain pulled lightly.

Table 5-3 Hoist Inspection Methods and Criteria

Item	Method	Criteria	Action
Lifting System – Free Chain Spring	Measure	The “L” dimension should not be less than the discard value listed in Table 5-9 . The “A” angle degree should not be less than the discard value listed in Table 5-9 .	Replace

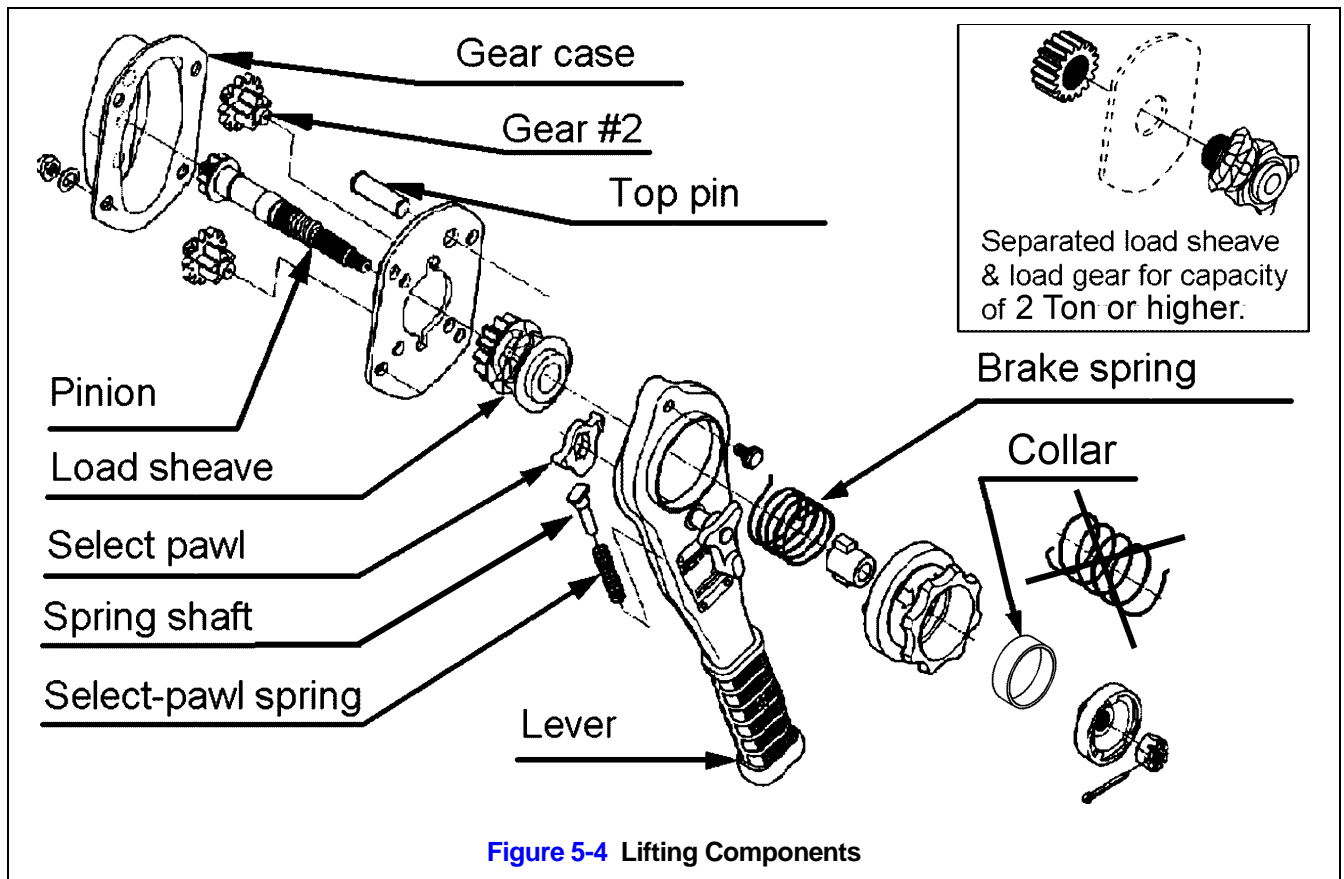


Figure 5-4 Lifting Components

Free Chain Spring is NOT required for Boeing versions of L5LB.

Table 5-9 Free Chain Spring Dimensions

Product Code	L Dimension Inches (mm)		A Dimension (degrees)	
	Standard	Discard	Standard	Discard
LB008, LB010 LB015 LB020, LB028	2.60 (66)	2.32 (59)	180°	165°
LB030, LB060, LB090	2.80 (71)	2.52 (64)		

6.3 Hoist Disassembly

Proceed as follows (Refer to Section 9.0 Parts List):

6.3.1 Free Chain Knob

- 1) Pull out (50) Split Pin and remove (49) Slotted Nut.
- 2) Remove (48) Spring Holder, (47) Collar, (45) Free Chain Knob assembly, (43) Brake Spring and (44) Cam Guide from (16) Pinion.

6.4 Hoist Assembly

6.4.9 Free Chain Knob

- 5) The Free Chain Spring is **NOT USED** for the Boeing version. Proceed to step 6 for the installation of the Collar. The Collar takes place of the Free Chain Spring. Refer to [Figure 6-17](#).

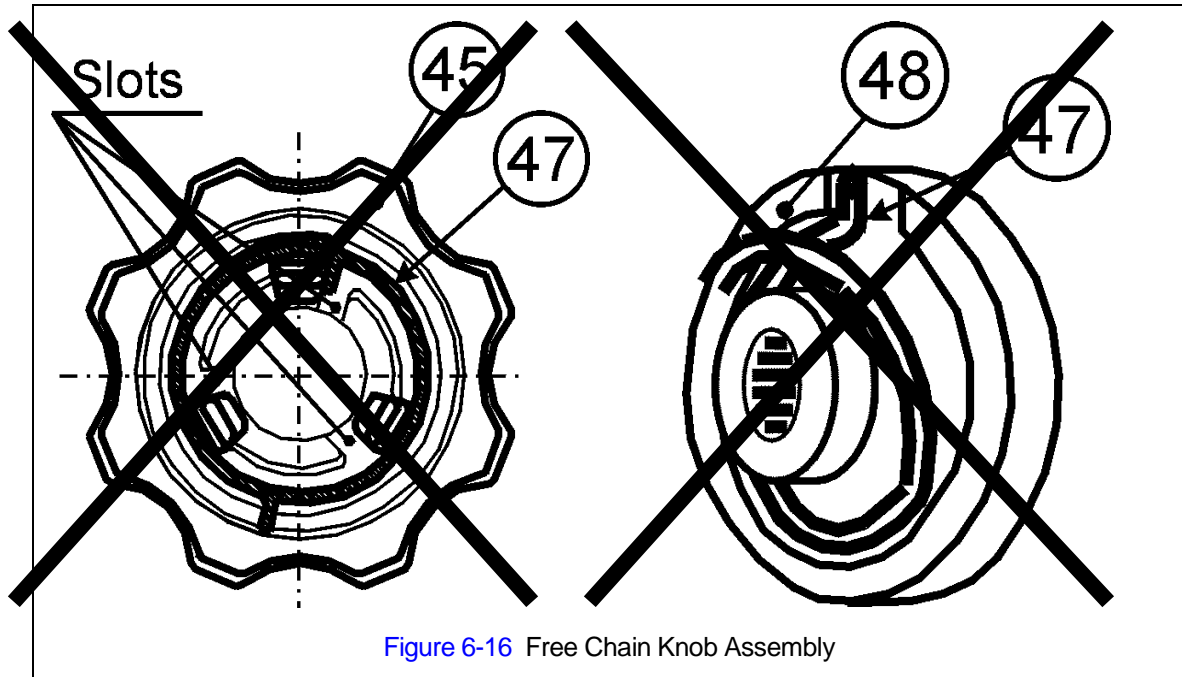


Figure 6-16 Free Chain Knob Assembly

- 6) Place the collar (47) inside the free wheel knob (45). Install the spring holder (48) onto the pinion serration and hold it in place. Refer to [Figure 6-17](#).
- 7) While holding the (48) Spring Holder in place, fasten it in place with the (49) Slotted Nut and (50) Split pin.
- 8) Set the Selector Lever to the 'N' position. Operate the hoist in the 'N' position mode to ensure correct performance.
- 9) **⚠ CAUTION** If the hoist is able to free wheel, the hoist has been assembled incorrectly. Correctly reassemble the hoist in accordance with this procedure.

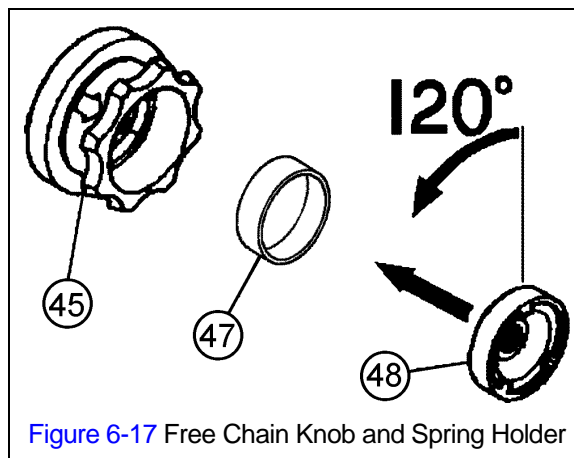


Figure 6-17 Free Chain Knob and Spring Holder

Table 7-1 Troubleshooting Guide

Symptom	Cause	Remedy
Free chain knob does not move in and out	This feature is disabled for Boeing version.	None
Hoist will not free wheel	This feature is disabled for Boeing version.	None
	This feature is disabled for Boeing version.	None
Load drifts or slips when selector lever is set in free chain mode	Free chain mode disabled for Boeing version.	None
Hard to reset the hoist out of free chain mode	Free chain mode disabled for Boeing version.	None

9.0 Parts List

9.1 ¾ to 9 Ton Parts (Page 50)

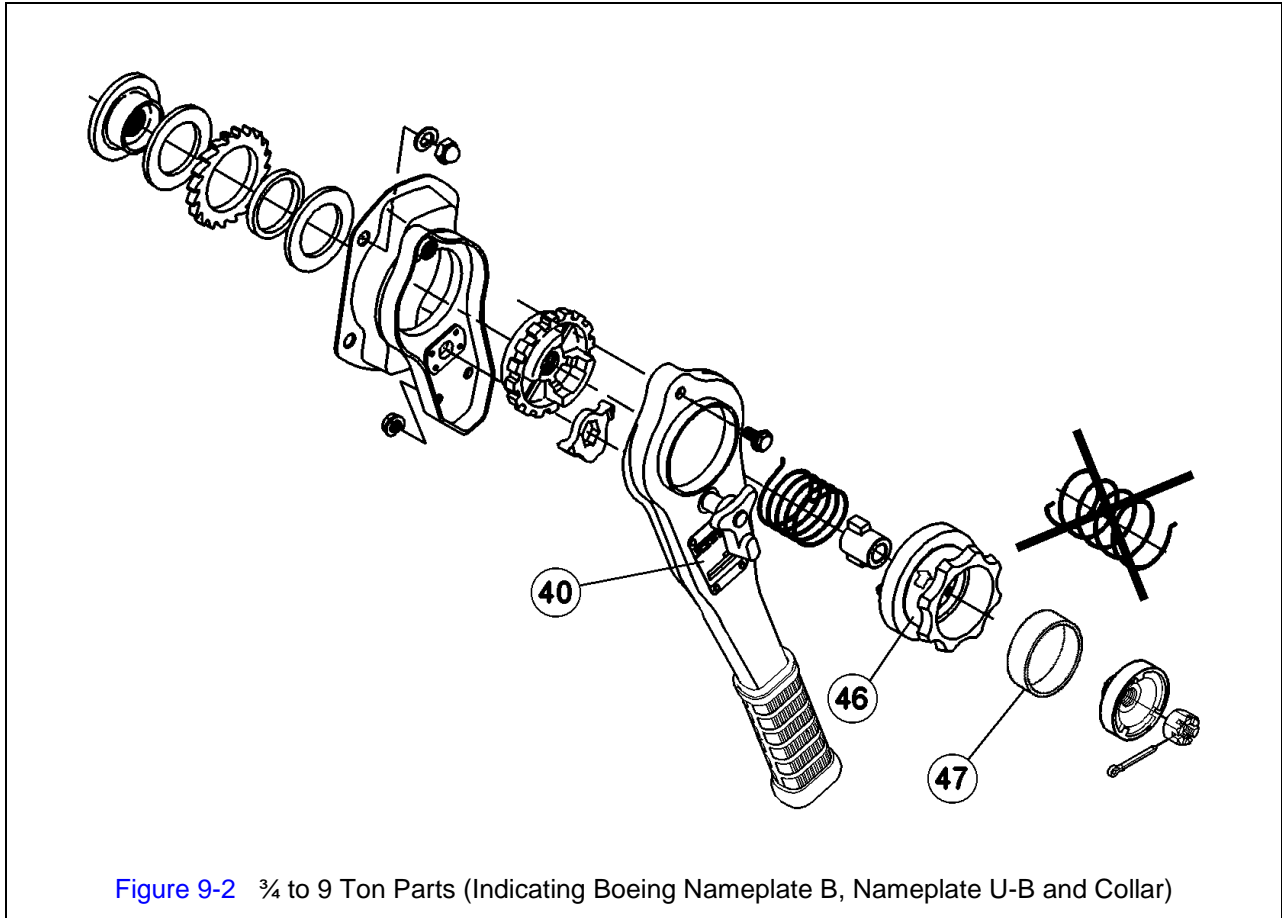


Figure 9-2 ¾ to 9 Ton Parts (Indicating Boeing Nameplate B, Nameplate U-B and Collar)

(Page 51)

Fig. No.	Part Name	Parts per Hoist	¾ Ton	1 Ton	1 ½ Ton	2 Ton	2 ¾ Ton	3 Ton	6 Ton	9 Ton	
40	Nameplate B with Rivets	1	L5800008B	L5800010B	L5800015B	L5800020B	L5800028B	L5800030B	L5800060B	L5800090B	
46	Name Plate U-B	1	L4810008B								
47	Collar	1	8834334100					8834334001			