



LB Lever Hoist
Model L5
Specifications and Dimensions

Purpose:

To provide dimension and specification information for the L5LB Lever Hoist.

Attachments:

Pg. No. 2	Imperial Data Chart	LB Lever Hoists
Pg. No. 2	Metric Data Chart	LB Lever Hoists
Pg. No. 3	Line Drawing	LB Lever Hoists

Imperial Dimensions & Specifications:

Cap. (Tons)	Product Code	Headroom C (in)	Std. Lift (ft)	Pull to Lift Load* (lbs)	a (in)	b (in)	D* (in)	e (in)	f (in)	g (in)	Load Chain Diameter (mm) x Chain Fall Lines	Net Weight (lbs)	Shipping Weight Approx. (lbs)	Weight for Additional One Foot of Lift (lbs)
3/4	LB008	11.0	5	54 (36)	5.7	4.7	9.6 (14.4)	3.8	1.6	0.9	5.6 x 1	13	14	0.5
1	LB010	11.8		72 (46)	5.7	4.7		3.8	1.6	1.1	5.6 x 1	13	14	0.5
1 1/2	LB015	13.2		64 (45)	6.3	5.0		10.4 (14.4)	3.9	1.5	1.3	7.1 x 1	18	19
2	LB020	14.8		59 (42)	6.8	5.9	4.0		1.8	1.4	8.8 x 1	25	26	1.1
2 3/4	LB028	14.8		81 (57)	6.8	5.9	4.0		1.8	1.4	8.8 x 1	25	26	1.1
3	LB030	15.6		69	7.5	6.3	16.3 (16.9)	4.4	1.8	1.5	10.0 x 1	33	35	1.5
6	LB060	21.3		72	7.5	8.5		4.4	2.3	2.0	10.0 x 2	58	60	3.2
9	LB090	26.8		78	7.5	12.0		4.4	4.1	2.9	10.0 x 3	89	93	4.7

*Figures in parentheses are for hoists with the optional load limit warning handle.

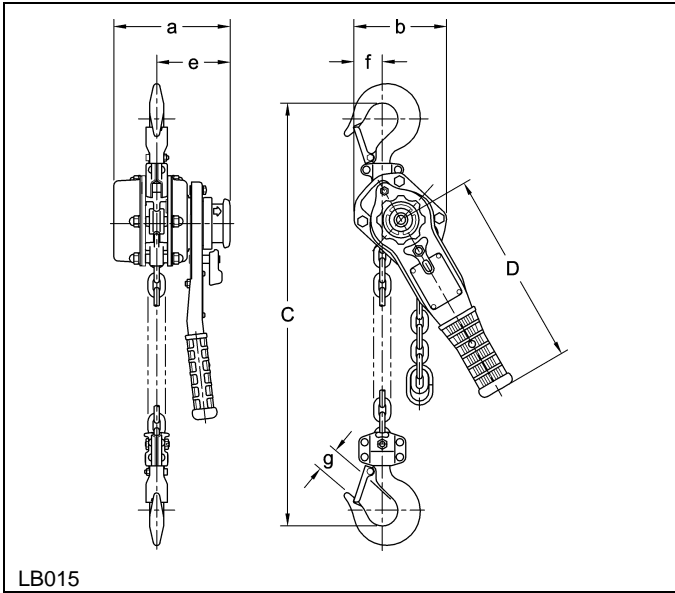
Metric Dimensions & Specifications:

Cap. (Tons)	Product Code	Headroom C (mm)	Std. Lift (m)	Pull to Lift Load* (kg)	a (mm)	b (mm)	D* (mm)	e (mm)	f (mm)	g (mm)	Load Chain Diameter (mm) x Chain Fall Lines	Net Weight (kg)	Shipping Weight Approx. (kg)	Weight for Additional One Meter of Lift (kg)
3/4	LB008	280	1.5	27 (18)	144	119	245 (366)	97	40.5	23.5	5.6 x 1	6	6	0.7
1	LB010	300		36 (23)	144	119		97	40.5	29	5.6 x 1	6	7	0.7
1 1/2	LB015	335		32 (23)	159	126		265 (366)	100	38.5	32	7.1 x 1	8	9
2	LB020	375		37 (26)	173	150	102		44.5	36.5	8.8 x 1	12	12	1.7
3	LB030	395		35	190	159	415 (429)		112	45.5	39	10.0 x 1	15	16
6	LB060	540		36	190	217		112	59	50	10.0 x 2	26	27	4.7
9	LB090	680		39	190	304		112	105	72.5	10.0 x 3	40	42	7

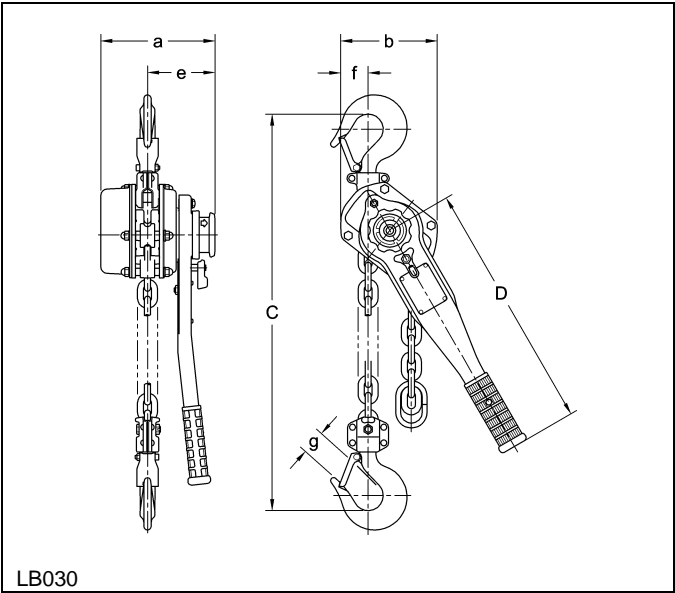
*Figures in parentheses are for hoists with the optional load limit warning handle.

Kito Americas Dimensions and Specifications:

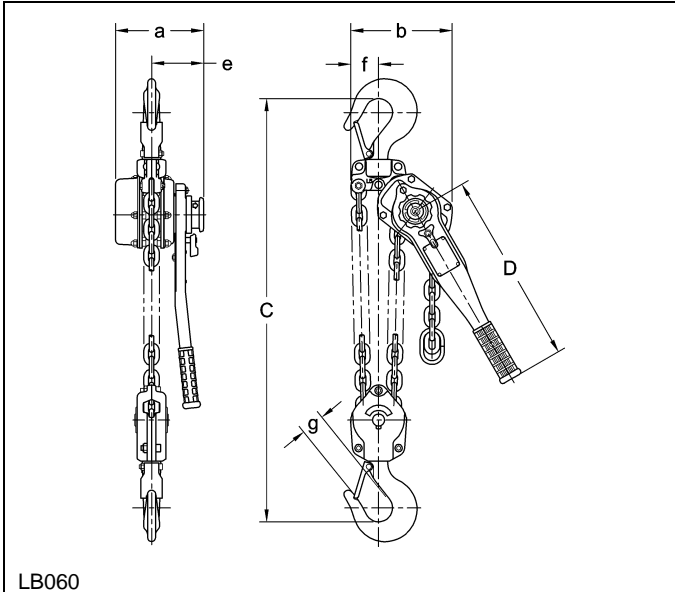
Cap. (Tons)	Product Code	Headroom C (mm)	Std. Lift (m)	Pull to Lift Load* (kg)	a (mm)	b (mm)	D* (mm)	e (mm)	f (mm)	g (mm)	Load Chain Diameter (mm) x Chain Fall Lines	Net Weight (kg)	Shipping Weight Approx. (kg)	Weight for Additional One Meter of Lift (kg)
0.8	LB008	280	1.5	29 (19)	144	119	245 (366)	97	40.5	23.5	5.6 x 1	6	6	0.7
1	LB010	300		36 (23)	144	119		97	40.5	29	5.6 x 1	6	7	0.7
1.6	LB016	335		34 (24)	159	126		265 (366)	100	38.5	32	7.1 x 1	8	9
2	LB020	375		37 (26)	173	150	102		44.5	36.5	8.8 x 1	12	12	1.7
3.2	LB032	395		37	190	159	415 (429)		112	45.5	39	10.0 x 1	15	16
6.3	LB063	540		38	190	217		112	59	50	10.0 x 2	26	27	4.7
9	LB090	680		39	190	304		112	105	72.5	10.0 x 3	40	42	7



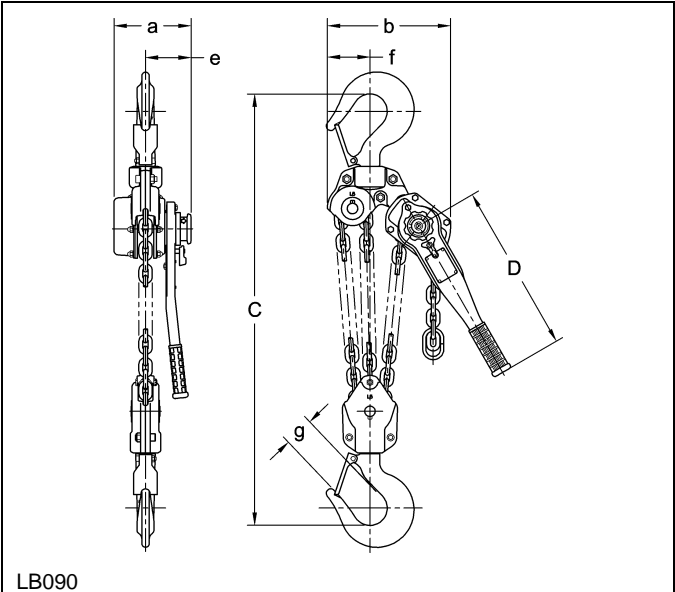
LB015



LB030



LB060



LB090