



## ER, ERM, ERG & ERP Electric Chain Hoist 8 to 20 Ton, Model ER1A, 4.7 Hp Version Specifications and Dimensions

### Purpose:

To provide dimension and specification information large capacity (8 to 20 Ton) for hook mount, motorized trolley and manual trolley versions of single and dual speed ER model electric chain hoist.

### Imperial Single Speed Specifications:

Cap. (Tons)	Product Code	Standard Lift (ft)	Push Button Cord L (ft)	Lifting Speed (ft/min)	Lifting Motor 3 Phase 60 Hz			Load Chain Diameter (mm) x Chain Fall Lines	Net Weight (lbs)	Weight for Additional One Foot of Lift (lbs)	
					Output (Hp)	Rated Current (amps)					
						@208 - 230V	@460V				
8	ER080S*	10	8.7	8	4.7	18.3	9.2	11.2 x 3	439	5.9	
10	ER100L		9.2	6	4.7	18.3	9.2	11.2 x 4	597	8.1	
10	ER100L-LG		8.7	6	4.7	18.3	9.2	11.2 x 4	496	8.1	
10	ER100S		9.2	12	4.7 x 2	18.3 x 2	9.2 x 2	11.2 x 4	683	8.1	
15	ER150S		10.5	8	8	4.7 x 2	18.3 x 2	9.2 x 2	11.2 x 6	897	12.1
20	ER200S			6	6	4.7 x 2	18.3 x 2	9.2 x 2	11.2 x 8	1065	16.1

\*Available lug mount only. Push button cord dimension (L) is to center of lug hole.

### Imperial Single Speed Dimensions:

Cap. (Tons)	Product Code	Headroom C (in)	a (in)	b (in)	d (in)	e (in)	g (in)	h (in)	i (in)
8	ER080S	42.0	30.9	24.0	15.5	15.5	2.4	11.3	7.6
10	ER100L	52.6	30.9	39.4	15.5	15.5	2.4	14.0	20.4
10	ER100L-LG	40.1	30.9	28.0	15.5	15.5	2.4	14.0	8.9
10	ER100S	52.6	30.9	34.2	15.5	15.5	2.4	-	-
15	ER150S	60.6	30.9	41.3	15.5	15.5	3.1	-	-
20	ER200S	65.0	30.9	49.1	15.5	15.5	3.4	-	-

### Metric Single Speed Specifications:

Cap. (Tons)	Product Code	Standard Lift (m)	Push Button Cord L (m)	Lifting Speed (m/min)	Lifting Motor 3 Phase 60 Hz			Load Chain Diameter (mm) x Chain Fall Lines	Net Weight (kg)	Weight for Additional One Meter of Lift (kg)	
					Output (kW)	Rated Current (amps)					
						@208 - 230V	@460V				
10	ER100L	3.0	2.8	1.7	3.5	18.3	9.2	11.2 x 4	271	12	
10	ER100L-LG		2.7	1.7	3.5	18.3	9.2	11.2 x 4	225	12	
10	ER100S		2.8	3.4	3.5 x 2	18.3 x 2	9.2 x 2	11.2 x 4	310	12	
15	ER150S		3.2	2.3	2.3	3.5 x 2	18.3 x 2	9.2 x 2	11.2 x 6	407	18
20	ER200S			1.7	1.7	3.5 x 2	18.3 x 2	9.2 x 2	11.2 x 8	483	24

### Metric Single Speed Dimensions:

Cap. (Tons)	Product Code	Headroom C (mm)	a (mm)	b (mm)	d (mm)	e (mm)	g (mm)	h (mm)	i (mm)
10	ER100L	1335	786	1001	393	393	62	356	518
10	ER100L-LG	1018	786	711	393	393	62	356	226
10	ER100S	1335	786	868	393	393	62	-	-
15	ER150S	1540	786	1050	393	393	79	-	-
20	ER200S	1650	786	1246	393	393	86	-	-

### Imperial Dual Speed Specifications:

Cap. (Tons)	Product Code	Standard Lift (ft)	Push Button Cord L (ft)	Lifting Speed (ft/min)	Lifting Motor 3 Phase 60 Hz			Load Chain Diameter (mm) x Chain Fall Lines	Net Weight (lbs)	Weight for Additional One Foot of Lift (lbs)
					Output (Hp)	Rated Current (amps)				
						@208 - 230V	@460V			
8	ER080SD*	10	8.7	8/3	4.7/1.6	19.6/9.4	9.8/4.7	11.2 x 3	485	5.9
10	ER100LD		9.2	6/2	4.7/1.6	19.6/9.4	9.8/4.7	11.2 x 4	642	8.1
10	ER100LD-LG		8.7	6/2	4.7/1.6	19.6/9.4	9.8/4.7	11.2 x 4	542	8.1
10	ER100SD		9.2	12/4	4.7/1.6 x 2	19.6/9.4 x 2	9.8/4.7 x 2	11.2 x 4	772	8.1
15	ER150SD		10.5	8/3	4.7/1.6 x 2	19.6/9.4 x 2	9.8/4.7 x 2	11.2 x 6	985	12.1
20	ER200SD			6/2	4.7/1.6 x 2	19.6/9.4 x 2	9.8/4.7 x 2	11.2 x 8	1153	16.1

\*Available lug mount only. Push button cord dimension (L) is to center of lug hole

### Imperial Dual Speed Dimensions:

Cap. (Tons)	Product Code	Headroom C (in)	a (in)	b (in)	d (in)	e (in)	g (in)	h (in)	i (in)
8	ER080SD	42.0	32.2	24.0	15.5	16.8	2.4	11.3	7.6
10	ER100LD	52.6	32.2	39.4	15.5	16.8	2.4	14.0	20.4
10	ER100LD-LG	40.1	32.2	28.0	15.5	16.8	2.4	14.0	8.9
10	ER100SD	52.6	33.5	34.2	16.8	16.8	2.4	-	-
15	ER150SD	60.6	33.5	41.3	16.8	16.8	3.1	-	-
20	ER200SD	65.0	33.5	49.1	16.8	16.8	3.4	-	-

### Metric Dual Speed Specifications:

Cap. (Tons)	Product Code	Standard Lift (m)	Push Button Cord L (m)	Lifting Speed (m/min)	Lifting Motor 3 Phase 60 Hz			Load Chain Diameter (mm) x Chain Fall Lines	Net Weight (kg)	Weight for Additional One Meter of Lift (kg)
					Output (kW)	Rated Current (amps)				
						@208 - 230V	@460V			
10	ER100LD	3.0	2.8	1.7/0.6	3.5/1.2	19.6/9.4	9.8/4.7	11.2 x 4	291	12
10	ER100LD-LG		2.7	1.7/0.6	3.5/1.2	19.6/9.4	9.8/4.7	11.2 x 4	246	12
10	ER100SD		2.8	3.5/1.2	3.5/1.2 x 2	19.6/9.4 x 2	9.8/4.7 x 2	11.2 x 4	350	12
15	ER150SD		3.2	2.3/0.9	3.5/1.2 x 2	19.6/9.4 x 2	9.8/4.7 x 2	11.2 x 6	447	18
20	ER200SD			1.7/0.6	3.5/1.2 x 2	19.6/9.4 x 2	9.8/4.7 x 2	11.2 x 8	523	24

### Metric Dual Speed Dimensions:

Cap. (Tons)	Product Code	Headroom C (mm)	a (mm)	b (mm)	d (mm)	e (mm)	g (mm)	h (mm)	i (mm)
10	ER100LD	1335	818	1001	393	426	62	356	518
10	ER100LD-LG	1018	818	711	393	426	62	356	226
10	ER100SD	1335	851	868	426	426	62	-	-
15	ER150SD	1540	851	1050	426	426	79	-	-
20	ER200SD	1650	851	1246	426	426	86	-	-

**Imperial Specifications – Single Speed Hoist with Single Speed Trolley:**

Cap. (Tons)	Product Code	Standard Lift (ft)	Push Button Cord L (ft)	Lifting Speed (ft/min)	Traversing Speed (ft/min)	Lifting Motor 3 Phase 60 Hz			Traversing Motor 3 Phase 60 Hz			Flange Width Adjustability B (in)		Minimum Allow. Radius for curve (in)	Load Chain Diameter (mm) x Chain Fall Lines	Net Weight (lbs)	Weight for Additional One Foot of Lift (lbs)
						Output (Hp)	Rated Current (amps)		Output (Hp)	Rated Current (amps)		Standard	Optional				
							@208 - 230V	@460V		@208 - 230V	@460V						
8	ERM080S-L	10	9.2	8	40	4.7	18.3	9.2	1.0	5.1	2.5	5.50 to 8.66	8.67 to 12.00	98.4	11.2 x 3	650	5.9
10	ERM100L-L			6		4.7	18.3	9.2	1.0	5.1	2.5			98.4	11.2 x 4	708	8.1
10	ERM100S-L			12		4.7 x 2	18.3 x 2	9.2 x 2	1.0	5.1	2.5			98.4	11.2 x 4	917	8.1
15	ERM150S-L			8		4.7 x 2	18.3 x 2	9.2 x 2	1.0 x 2	5.1 x 2	2.5 x 2			∞	11.2 x 6	1303	12.1
20	ERM200S-L			6		4.7 x 2	18.3 x 2	9.2 x 2	1.0 x 2	5.1 x 2	2.5 x 2			∞	11.2 x 8	1426	16.1

**Imperial Dimensions – Single Speed Hoist with Single Speed Trolley:**

Cap. (Tons)	Product Code	Headroom C (in)	b (in)	b' (in)	d (in)	e (in)	e' (in)	g (in)	i (in)	j (in)	k (in)	m (in)	n (in)	r (in)	t (in)
8	ERM080S-L	47.6	19.7	22.9	11.2	20.9	8.8	2.4	6.89	3.5	6.9	10.6	7.5	6.0	2.76
10	ERM100L-L	45.7	19.7	22.9	11.2	20.9	8.8	2.4	6.89	3.1	6.9	10.6	7.5	6.0	2.76
10	ERM100S-L	46.3	19.7	22.9	11.2	20.9	8.8	2.4	6.89	3.1	6.9	10.6	7.5	6.0	2.76
15	ERM150S-L	51.4	40.2	43.4	11.2	20.9	8.8	3.1	6.89	3.3	6.9	10.6	28.0	6.0	2.76
20	ERM200S-L	52.8	40.2	43.4	11.2	20.9	8.8	3.4	6.89	3.1	6.9	10.6	28.0	6.0	2.76

**Metric Specifications – Single Speed Hoist with Single Speed Trolley:**

Cap. (Tons)	Product Code	Standard Lift (m)	Push Button Cord L (m)	Lifting Speed (m/min)	Traversing Speed (m/min)	Lifting Motor 3 Phase 60 Hz			Traversing Motor 3 Phase 60 Hz			Flange Width Adjustability B (mm)		Minimum Allow. Radius for curve (mm)	Load Chain Diameter (mm) x Chain Fall Lines	Net Weight (kg)	Weight for Additional One Meter of Lift (kg)
						Output (kW)	Rated Current (amps)		Output (kW)	Rated Current (amps)		Standard	Optional				
							@208 - 230V	@460V		@208 - 230V	@460V						
10	ERM100L-L	3.0	2.8	1.7	12	3.5	18.3	9.2	0.75	5.1	2.5	140 to 220	221 to 305	2500	11.2 x 4	321	12
10	ERM100S-L			3.4		3.5 x 2	18.3 x 2	9.2 x 2	0.75	5.1	2.5			2500	11.2 x 4	416	12
15	ERM150S-L			2.3		3.5 x 2	18.3 x 2	9.2 x 2	0.75 x 2	5.1 x 2	2.5 x 2			∞	11.2 x 6	591	18
20	ERM200S-L			1.7		3.5 x 2	18.3 x 2	9.2 x 2	0.75 x 2	5.1 x 2	2.5 x 2			∞	11.2 x 8	647	24

**Metric Dimensions – Single Speed Hoist with Single Speed Trolley:**

Cap. (Tons)	Product Code	Headroom C (mm)	b (mm)	b' (mm)	d (mm)	e (mm)	e' (mm)	g (mm)	i (mm)	j (mm)	k (mm)	m (mm)	n (mm)	r (mm)	t (mm)
10	ERM100L-L	1160	500	582	284	531	223	62	175	78	175	267	191	153	70
10	ERM100S-L	1175	500	582	284	531	223	62	175	78	175	267	191	153	70
15	ERM150S-L	1305	1020	1102	284	531	223	79	175	83	175	267	711	153	70
20	ERM200S-L	1340	1020	1102	284	531	223	86	175	78	175	267	711	153	70

**Imperial Specifications – Dual Speed Hoist with Single Speed Trolley:**

Cap. (Tons)	Product Code	Standard Lift (ft)	Push Button Cord L (ft)	Lifting Speed (ft/min)	Traversing Speed (ft/min)	Lifting Motor 3 Phase 60 Hz			Traversing Motor 3 Phase 60 Hz			Flange Width Adjustability B (in)		Minimum Allow. Radius for curve (in)	Load Chain Diameter (mm) x Chain Fall Lines	Net Weight (lbs)	Weight for Additional One Foot of Lift (lbs)
						Output (Hp)	Rated Current (amps)		Output (Hp)	Rated Current (amps)		Standard	Optional				
							@208 - 230V	@460V		@208 - 230V	@460V						
8	ERM080SD-L	10	9.2	8/3	40	4.7/1.6	19.6/9.4	9.8/4.7	1.0	5.1	2.5	5.50 to 8.66	8.67 to 12.00	98.4	11.2 x 3	694	5.9
10	ERM100LD-L			6/2		4.7/1.6	19.6/9.4	9.8/4.7	1.0	5.1	2.5			98.4	11.2 x 4	754	8.1
10	ERM100SD-L			12/4		4.7/1.6 x 2	19.6/9.4 x 2	9.8/4.7 x 2	1.0	5.1	2.5			98.4	11.2 x 4	1021	8.1
15	ERM150SD-L			8/3		4.7/1.6 x 2	19.6/9.4 x 2	9.8/4.7 x 2	1.0 x 2	5.1 x 2	2.5 x 2			∞	11.2 x 6	1402	12.1
20	ERM200SD-L			6/2		4.7/1.6 x 2	19.6/9.4 x 2	9.8/4.7 x 2	1.0 x 2	5.1 x 2	2.5 x 2			∞	11.2 x 8	1526	16.1

**Imperial Dimensions – Dual Speed Hoist with Single Speed Trolley:**

Cap. (Tons)	Product Code	Headroom C (in)	b (in)	b' (in)	d (in)	e (in)	e' (in)	g (in)	i (in)	j (in)	k (in)	m (in)	n (in)	r (in)	t (in)
8	ERM080SD-L	47.6	19.7	22.9	11.2	20.9	8.8	2.4	6.89	3.5	6.9	10.6	7.5	6.0	2.76
10	ERM100LD-L	45.7	19.7	22.9	11.2	20.9	8.8	2.4	6.89	3.1	6.9	10.6	7.5	6.0	2.76
10	ERM100SD-L	46.3	19.7	22.9	11.2	20.9	11.0	2.4	6.89	3.1	6.9	12.7	7.5	6.0	2.76
15	ERM150SD-L	51.4	40.2	43.4	11.2	20.9	11.0	3.1	6.89	3.3	6.9	12.7	28.0	6.0	2.76
20	ERM200SD-L	52.8	40.2	43.4	11.2	20.9	11.0	3.4	6.89	3.1	6.9	12.7	28.0	6.0	2.76

**Metric Specifications – Dual Speed Hoist with Single Speed Trolley:**

Cap. (Tons)	Product Code	Standard Lift (m)	Push Button Cord L (m)	Lifting Speed (m/min)	Traversing Speed (m/min)	Lifting Motor 3 Phase 60 Hz			Traversing Motor 3 Phase 60 Hz			Flange Width Adjustability B (mm)		Minimum Allow. Radius for curve (mm)	Load Chain Diameter (mm) x Chain Fall Lines	Net Weight (kg)	Weight for Additional One Meter of Lift (kg)
						Output (kW)	Rated Current (amps)		Output (kW)	Rated Current (amps)		Standard	Optional				
							@208 - 230V	@460V		@208 - 230V	@460V						
10	ERM100LD-L	3.0	2.8	1.7/0.6	12	3.5/1.2	19.6/9.4	9.8/4.7	0.75	5.1	2.5	140 to 220	221 to 305	2500	11.2 x 4	342	12
10	ERM100SD-L			3.5/1.2		3.5/1.2 x 2	19.6/9.4 x 2	9.8/4.7 x 2	0.75	5.1	2.5			2500	11.2 x 4	463	12
15	ERM150SD-L			2.3/0.9		3.5/1.2 x 2	19.6/9.4 x 2	9.8/4.7 x 2	0.75x2	5.1 x 2	2.5 x 2			∞	11.2 x 6	636	18
20	ERM200SD-L			1.7/0.6		3.5/1.2 x 2	19.6/9.4 x 2	9.8/4.7 x 2	0.75x2	5.1 x 2	2.5 x 2			∞	11.2 x 8	692	24

**Metric Dimensions – Dual Speed Hoist with Single Speed Trolley:**

Cap. (Tons)	Product Code	Headroom C (mm)	b (mm)	b' (mm)	d (mm)	e (mm)	e' (mm)	g (mm)	i (mm)	j (mm)	k (mm)	m (mm)	n (mm)	r (mm)	t (mm)
10	ERM100LD-L	1160	500	582	284	531	223	62	175	78	175	267	191	153	70
10	ERM100SD-L	1175	500	582	284	531	279	62	175	78	175	323	191	153	70
15	ERM150SD-L	1305	1020	1102	284	531	279	79	175	83	175	323	711	153	70
20	ERM200SD-L	1340	1020	1102	284	531	279	86	175	78	175	323	711	153	70

**Imperial Specifications – Single Speed Hoist with Push or Geared Trolley:**

Cap. (Tons)	Product Code	Standard Lift (ft)	Push Button Cord L (ft)	Lifting Speed (ft/min)	Lifting Motor 3 Phase 60 Hz			Flange Width Adjustability B (in)		Minimum* Allow. Radius for curve (in)	Load Chain Diameter (mm) x Chain Fall Lines	Net Weight (lbs)	Weight for Additional One Foot of Lift (lbs)
					Output (Hp)	Rated Current (amps)		Standard	Optional				
						@208 - 230V	@460V						
8	ERP(ERG)080S	10	9.2	8	4.7	18.3	9.2	5.50 to 8.66	8.67 to 12.00	118.1	11.2 x 3	606 (637)	6.6
10	ERP(ERG)100L			6	4.7	18.3	9.2			118.1	11.2 x 4	666 (697)	8.7
10	ERP(ERG)100S			12	4.7 x 2	18.3 x 2	9.2 x 2			118.1	11.2 x 4	886 (917)	8.7
15	ERG150S			8	4.7 x 2	18.3 x 2	9.2 x 2			∞	11.2 x 6	1303	13.4
20	ERG200S			6	4.7 x 2	18.3 x 2	9.2 x 2			∞	11.2 x 8	1426	17.5

**Imperial Dimensions – Single Speed Hoist with Geared Trolley:**

Cap. (Tons)	Product Code	Headroom C (in)	E (ft)	a (in)	b (in)	e (in)	e' (in)	g (in)	h (in)	i (in)	j (in)	k (in)	k' (in)	m (in)	n (in)	r (in)	t (in)	u (in)
8	ERG080S	47.6	11.4	16.2	18.9	20.9	1.6	2.4	7.3	6.10	3.5	6.7	6.5	3.4	7.7	6.0	2.76	8.4
10	ERG100L	45.7	11.4	16.2	18.9	20.9	1.6	2.4	7.3	6.10	3.1	6.7	6.5	3.4	7.7	6.0	2.76	8.4
10	ERG100S	46.3	11.4	16.2	18.9	20.9	8.8	2.4	7.3	6.10	3.1	6.7	6.5	10.6	7.7	6.0	2.76	8.4
15	ERG150S	51.4	13.4	16.2	39.4	20.9	8.8	3.1	7.3	6.10	3.3	6.7	6.5	10.6	28.2	6.0	2.76	8.4
20	ERG200S	52.8	13.4	16.2	39.4	20.9	8.8	3.4	7.3	6.10	3.1	6.7	6.5	10.6	28.2	6.0	2.76	8.4

**Imperial Dimensions – Single Speed Hoist with Push Trolley:**

Cap. (Tons)	Product Code	Headroom C (in)	a (in)	b (in)	e (in)	e' (in)	g (in)	h (in)	i (in)	j (in)	k (in)	m (in)	n (in)	r (in)	t (in)
8	ERP080S	47.6	4.3	18.9	20.9	1.6	2.4	7.3	6.10	3.5	6.7	3.4	7.7	6.0	2.76
10	ERP100L	45.7	4.3	18.9	20.9	1.6	2.4	7.3	6.10	3.1	6.7	3.4	7.7	6.0	2.76
10	ERP100S	46.3	4.3	18.9	20.9	8.8	2.4	7.3	6.10	3.1	6.7	10.6	7.7	6.0	2.76

**Metric Specifications – Single Speed Hoist with Push or Geared Trolley:**

Cap. (Tons)	Product Code	Standard Lift (m)	Push Button Cord L (m)	Lifting Speed (m/min)	Lifting Motor 3 Phase 60 Hz			Flange Width Adjustability B (mm)		Minimum* Allow. Radius for curve (mm)	Load Chain Diameter (mm) x Chain Fall Lines	Net Weight (kg)	Weight for Additional One Meter of Lift (kg)
					Output (kW)	Rated Current (amps)		Standard	Optional				
						@208 - 230V	@460V						
10	ERP(ERG)100L	3.0	2.8	1.7	3.5	18.3	9.2	140 to 220	221 to 305	3000	11.2 x 4	302 (316)	12 (13)
10	ERP(ERG)100S			3.4	3.5 x 2	18.3 x 2	9.2 x 2			3000	11.2 x 4	402 (416)	12 (13)
15	ERG150S			2.3	3.5 x 2	18.3 x 2	9.2 x 2			∞	11.2 x 6	591	18 (20)
20	ERG200S			1.7	3.5 x 2	18.3 x 2	9.2 x 2			∞	11.2 x 8	647	24 (26)

**Metric Dimensions – Single Speed Hoist with Geared Trolley:**

Cap. (Tons)	Product Code	Headroom C (mm)	E (m)	a (mm)	b (mm)	e (mm)	e' (mm)	g (mm)	h (mm)	i (mm)	j (mm)	k (mm)	k' (mm)	m (mm)	n (mm)	r (mm)	t (mm)	u (mm)
10	ERG100L	1160	3.5	411	480	531	41	62	185	155	78	170	164	86	197	153	70	214
10	ERG100S	1175	3.5	411	480	531	223	62	185	155	78	170	164	267	197	153	70	214
15	ERG150S	1305	4.1	411	1000	531	223	79	185	155	83	170	164	267	717	153	70	214
20	ERG200S	1340	4.1	411	1000	531	223	86	185	155	78	170	164	267	717	153	70	214

**Metric Dimensions – Single Speed Hoist with Push Trolley:**

Cap. (Tons)	Product Code	Headroom C (mm)	a (mm)	b (mm)	e (mm)	e' (mm)	g (mm)	h (mm)	i (mm)	j (mm)	k (mm)	m (mm)	n (mm)	r (mm)	t (mm)
10	ERP100L	1160	109	480	531	41	62	185	155	78	170	86	196	153	70
10	ERP100S	1175	109	480	531	223	62	185	155	78	170	267	196	153	70

### Imperial Specifications – Dual Speed Hoist with Push or Geared Trolley:

Cap. (Tons)	Product Code	Standard Lift (ft)	Push Button Cord L (ft)	Lifting Speed (ft/min)	Lifting Motor 3 Phase 60 Hz			Flange Width Adjustability B (in)		Minimum Allow. Radius for curve (in)	Load Chain Diameter (mm) x Chain Fall Lines	Net Weight (lbs)	Weight for Additional One Foot of Lift (lbs)
					Output (Hp)	Rated Current (amps)		Standard	Optional				
						@208 - 230V	@460V						
8	ERP(ERG)080SD	10	9.2	8/3	4.7/1.6	19.6/9.4	9.8/4.7	5.50 to 8.66	8.67 to 12.00	118.1	11.2 x 3	650 (681)	6.6
10	ERP(ERG)100LD			6/2	4.7/1.6	19.6/9.4	9.8/4.7			118.1	11.2 x 4	710 (741)	8.7
10	ERP(ERG)100SD			12/4	4.7/1.6 x 2	19.6/9.4 x 2	9.8/4.7 x 2			118.1	11.2 x 4	974 (1005)	8.7
15	ERG150SD			8/3	4.7/1.6 x 2	19.6/9.4 x 2	9.8/4.7 x 2			∞	11.2 x 6	1391	13.4
20	ERG200SD			6/2	4.7/1.6 x 2	19.6/9.4 x 2	9.8/4.7 x 2			∞	11.2 x 8	1515	17.5

### Imperial Dimensions – Dual Speed Hoist with Geared Trolley:

Cap. (Tons)	Product Code	Headroom C (in)	E (ft)	a (in)	b (in)	e (in)	e' (in)	g (in)	h (in)	i (in)	j (in)	k (in)	k' (in)	m (in)	n (in)	r (in)	t (in)	u (in)
8	ERG080SD	47.6	11.4	16.2	18.9	20.9	1.6	2.4	7.3	6.10	3.5	6.7	6.5	3.4	7.7	6.0	2.76	8.4
10	ERG100LD	45.7	11.4	16.2	18.9	20.9	1.6	2.4	7.3	6.10	3.1	6.7	6.5	3.4	7.7	6.0	2.76	8.4
10	ERG100SD	46.3	11.4	16.2	18.9	20.9	8.8	2.4	7.3	6.10	3.1	6.7	6.5	10.6	7.7	6.0	2.76	8.4
15	ERG150SD	51.4	13.4	16.2	39.4	20.9	8.8	3.1	7.3	6.10	3.3	6.7	6.5	10.6	28.2	6.0	2.76	8.4
20	ERG200SD	52.8	13.4	16.2	39.4	20.9	8.8	3.4	7.3	6.10	3.1	6.7	6.5	10.6	28.2	6.0	2.76	8.4

### Imperial Dimensions – Dual Speed Hoist with Push Trolley:

Cap. (Tons)	Product Code	Headroom C (in)	a (in)	b (in)	e (in)	e' (in)	g (in)	h (in)	i (in)	j (in)	k (in)	m (in)	n (in)	r (in)	t (in)
8	ERP080SD	47.6	4.3	18.9	20.9	1.6	2.4	7.3	6.10	3.5	6.7	3.4	7.7	6.0	2.76
10	ERP100LD	45.7	4.3	18.9	20.9	1.6	2.4	7.3	6.10	3.1	6.7	3.4	7.7	6.0	2.76
10	ERP100SD	46.3	4.3	18.9	20.9	8.8	2.4	7.3	6.10	3.1	6.7	10.6	7.7	6.0	2.76

### Metric Specifications – Dual Speed Hoist with Push or Geared Trolley:

Cap. (Tons)	Product Code	Standard Lift (m)	Push Button Cord L (m)	Lifting Speed (m/min)	Lifting Motor 3 Phase 60 Hz			Flange Width Adjustability B (mm)		Minimum Allow. Radius for curve (mm)	Load Chain Diameter (mm) x Chain Fall Lines	Net Weight (kg)	Weight for Additional One Meter of Lift (kg)
					Output (kW)	Rated Current (amps)		Standard	Optional				
						@208 - 230V	@460V						
10	ERP(ERG)100LD	3.0	2.8	1.7/0.6	3.5/1.2	19.6/9.4	9.8/4.7	140 to 220	221 to 305	3000	11.2 x 4	322 (336)	12 (13)
10	ERP(ERG)100SD			3.5/1.2	3.5/1.2 x 2	19.6/9.4 x 2	9.8/4.7 x 2			3000	11.2 x 4	442 (456)	12 (13)
15	ERG150SD			2.3/0.9	3.5/1.2 x 2	19.6/9.4 x 2	9.8/4.7 x 2			∞	11.2 x 6	631	18 (20)
20	ERG200SD			1.7/0.6	3.5/1.2 x 2	19.6/9.4 x 2	9.8/4.7 x 2			∞	11.2 x 8	687	24 (26)

### Metric Dimensions – Dual Speed Hoist with Geared Trolley:

Cap. (Tons)	Product Code	Headroom C (mm)	E (m)	a (mm)	b (mm)	e (mm)	e' (mm)	g (mm)	h (mm)	i (mm)	j (mm)	k (mm)	k' (mm)	m (mm)	n (mm)	r (mm)	t (mm)	u (mm)
10	ERG100LD	1160	3.5	411	480	531	41	62	185	155	78	170	164	86	196	153	70	214
10	ERG100SD	1175	3.5	411	480	531	223	62	185	155	78	170	164	267	196	153	70	214
15	ERG150SD	1305	4.1	411	1000	531	223	79	185	155	83	170	164	267	717	153	70	214
20	ERG200SD	1340	4.1	411	1000	531	223	86	185	155	78	170	164	267	717	153	70	214

### Metric Dimensions – Dual Speed Hoist with Push Trolley:

Cap. (Tons)	Product Code	Headroom C (mm)	a (mm)	b (mm)	e (mm)	e' (mm)	g (mm)	h (mm)	i (mm)	j (mm)	k (mm)	m (mm)	n (mm)	r (mm)	t (mm)
10	ERP100LD	1160	105	480	531	41	62	185	155	78	170	86	196	153	70
10	ERP100SD	1175	105	480	531	223	62	185	155	78	170	267	196	153	70

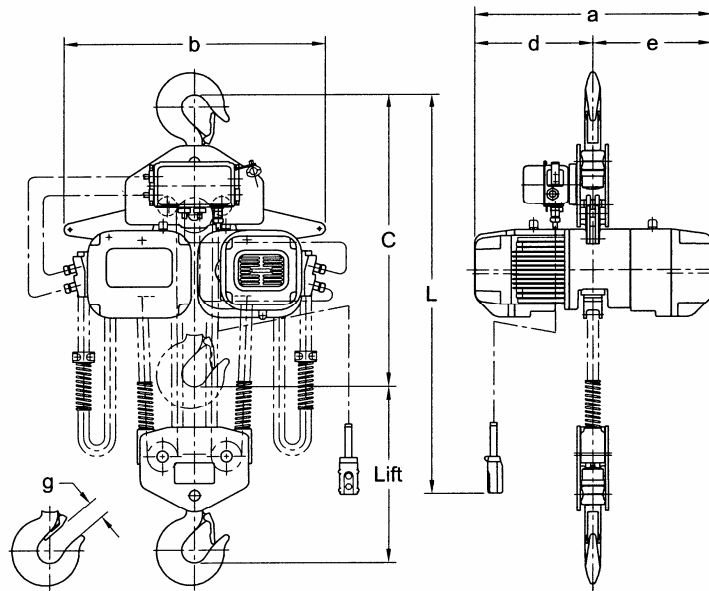


Figure 1 – ER Hook Mount, Single and Dual Speed (ER100S)

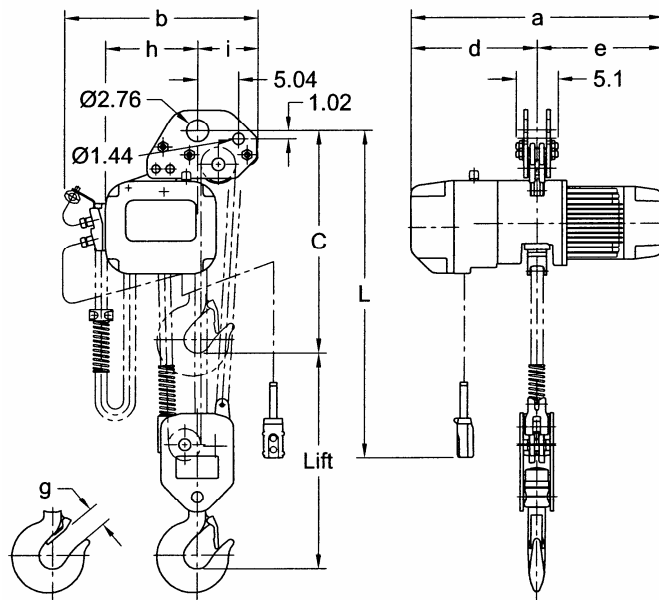


Figure 2 – ER Lug Mount, Single and Dual Speed (ER080S)

\* Imperial rated ONLY \*

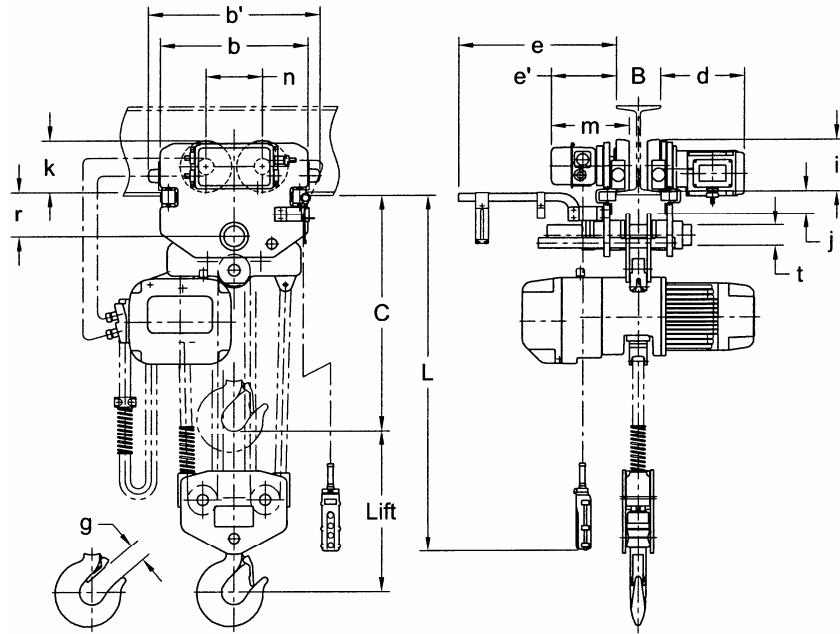


Figure 3 – ER with Motorized Trolley, Single and Dual Speed (ERM100L-L)

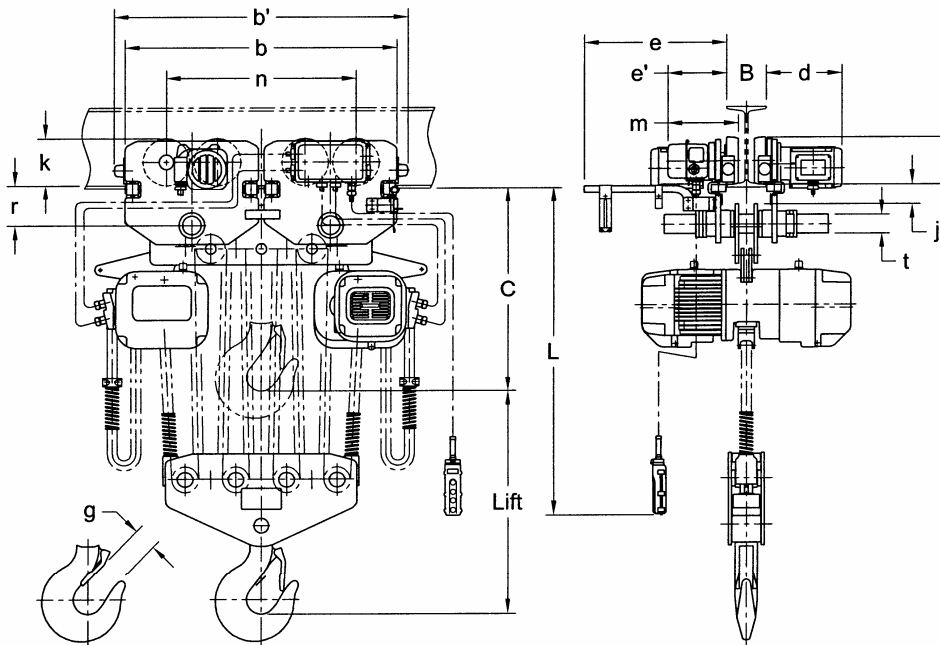


Figure 4 – ER with Motorized Trolley, Single and Dual Speed (ERM200S-L)



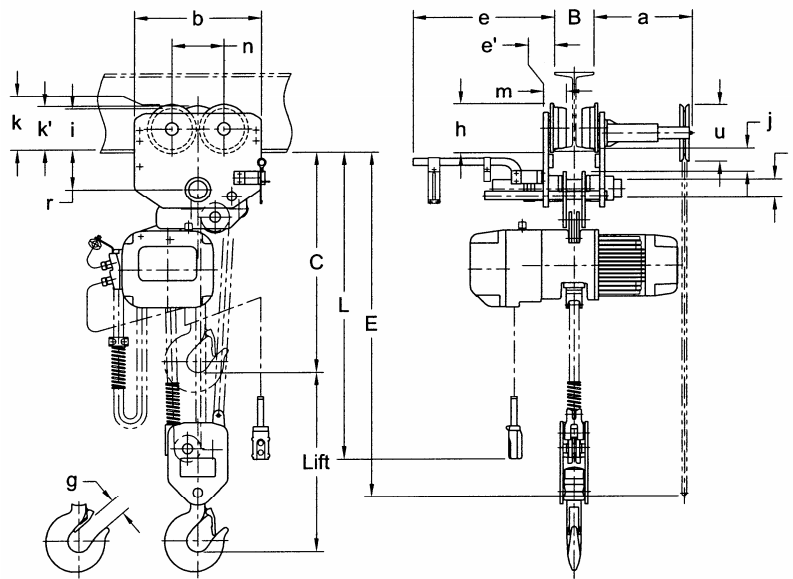


Figure 5 – ER with Geared Trolley, Single and Dual Speed (ERG080S)

\* Imperial rated ONLY \*

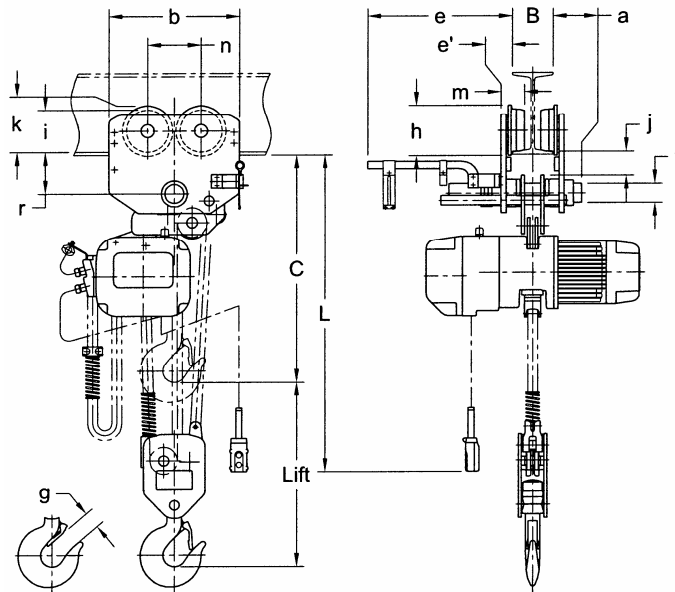


Figure 6 – ER with Push Trolley, Single and Dual Speed (ERP080S)

\*Imperial rated ONLY\*

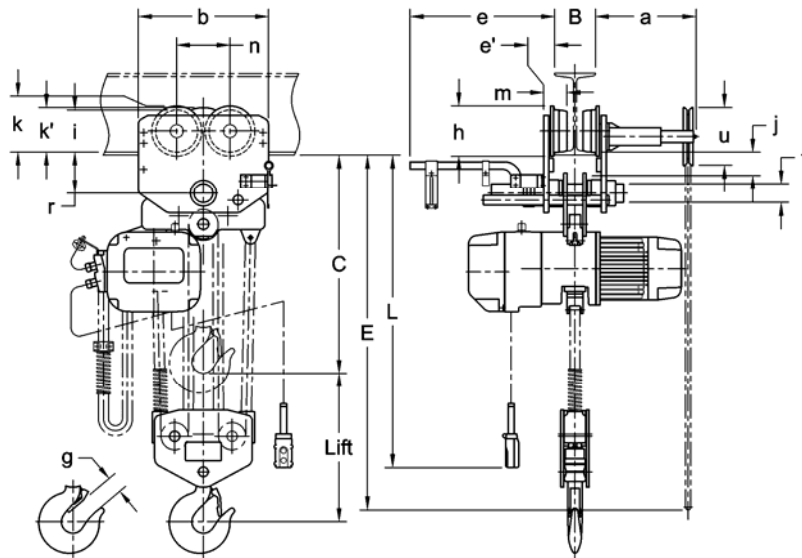


Figure 7 – ER with Geared Trolley, Single and Dual Speed (ERG100L)

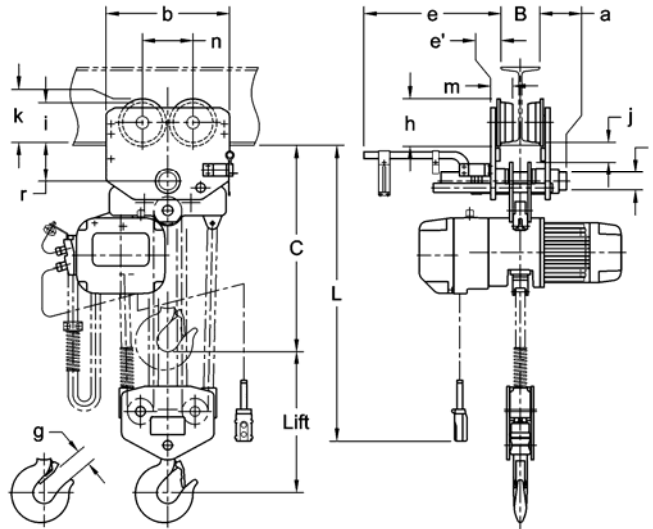


Figure 8 – ER with Push Trolley, Single and Dual Speed (ERP100L)