



**ED Electric Chain Hoist**  
**Model ED3A**  
**Specifications and Dimensions**

**Purpose:**

To provide dimension and specification information for the ED S, DS and DA model ED3A electric chain hoist.

**Imperial Specifications:**

Cap. (lbs)	Product Code			Lifting Speed (ft/min)		Standard Lift (ft)		Push Button Cord L (ft)		Motor Output (HP)	Intermittent Duty Rating		Short Time Duty Rating (min)	Rated Current at 120V (amps)
	Single Speed S Model	Dual Speed DS Model	Dual Adjustable DA Model	S Model	DS & DA Model	S & DS Model	DA Model	S & DS Model	DA Model		Duty Rating % ED	Max. Start Freq. (Times/Hr)		
125	ED125S	ED125DS	ED125DA	69	69/13	10	6	8	Coiled	0.4	30	180	15	5
220	ED220S	ED220DS	ED220DA	43	43/10					0.4	30	180	15	5
250	ED250S	ED250DS	ED250DA	26	26/10					0.4	20	120	10	6
350	ED350S	ED350DS	ED350DA	66	66/13					0.8	30	180	20	10
400	ED400S	ED400DS	ED400DA	26	26/10					0.4	20	120	10	6
525	ED525S	ED525DS	ED525DA	44	44/10					0.8	30	180	20	10
										0.8	30	180	20	10

**Imperial Dimensions and Weights:**

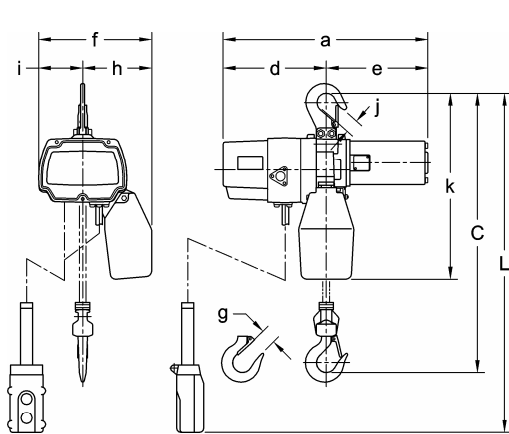
Cap. (lbs)	Headroom C (in)		a (in)	d (in)	e (in)	f (in)	g (in)	h (in)	i (in)	j (in)	k (in)	Net Weight (lbs)			Weight for Additional One Foot of Lift (lbs)	
	S & DS Model	DA Model										S Model	DS Model	DA Model	S Model	DS Model
125	12.4	37.2	14.6	7.4	7.2	8.1	1.0	4.9	3.1	1.0	13.4	23	24	31	0.26	0.29
220	12.4	37.2	14.6	7.4	7.2	8.1		4.9	3.1		13.4	23	24	31		
250	12.4	37.2	14.6	7.4	7.2	8.1		4.9	3.1		13.4	24	25	32		
350	13.0	37.8	16.9	8.1	8.8	8.6		5.3	3.3		14.3	33	34	40		
400	12.4	37.2	14.6	7.4	7.2	8.1		4.9	3.1		13.4	24	25	32		
525	13.0	37.8	16.9	8.1	8.8	8.6		5.3	3.3		14.3	33	34	40		

**Metric Specifications:**

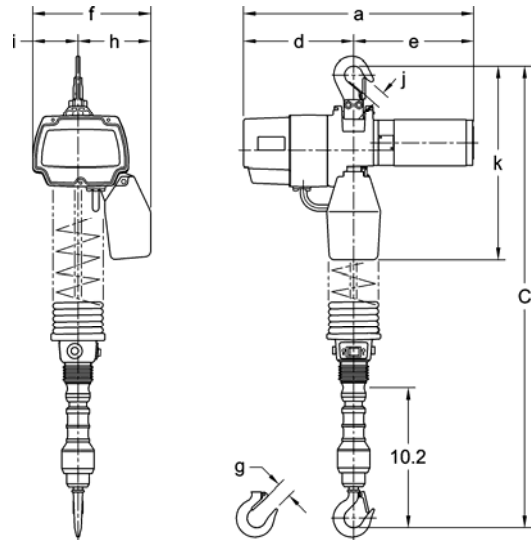
Cap. (kg)	Product Code			Lifting Speed (m/min)		Standard Lift (m)		Push Button Cord L (m)		Motor Output (kW)	Intermittent Duty Rating		Short Time Duty Rating (min)	Rated Current at 120V (amps)
	Single Speed S Model	Dual Speed DS Model	Dual Adjustable DA Model	S Model	DS & DA Model	S & DS Model	DA Model	S & DS Model	DA Model		Duty Rating % ED	Max. Start Freq. (Times/Hr)		
60	ED125S	ED125DS	ED125DA	21	21/4	3	1.8	2.5	Coiled	0.3	30	180	15	5
100	ED220S	ED220DS	ED220DA	13	13/3					0.3	30	180	15	5
115	ED250S	ED250DS	ED250DA	8	8/3					0.3	20	120	10	6
160	ED350S	ED350DS	ED350DA	20	20/4					0.6	30	180	20	10
180	ED400S	ED400DS	ED400DA	8	8/3					0.3	20	120	10	6
240	ED525S	ED525DS	ED525DA	13.5	13.5/3					0.6	30	180	20	10

**Metric Dimensions and Weights:**

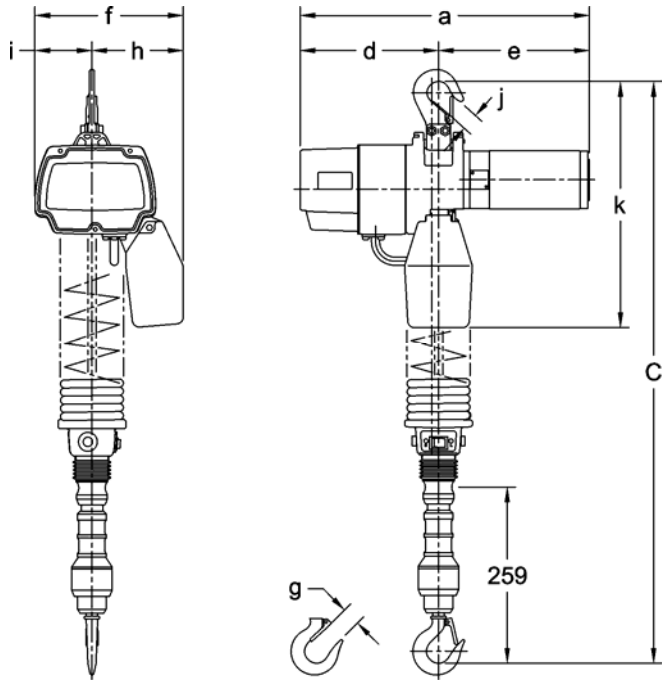
Cap. (kg)	Headroom C (mm)		a (mm)	d (mm)	e (mm)	f (mm)	g (mm)	h (mm)	i (mm)	j (mm)	k (mm)	Net Weight (kg)			Weight for Additional One Meter of Lift (kg)	
	S & DS Model	DA Model										S Model	DS Model	DA Model	S Model	DS Model
60	315	945	371	187	184	205	25	125	80	25	340	11.5	12	14.5	0.39	0.43
100	315	945	371	187	184	205		125	80		340	11.5	12	14.5		
115	315	945	371	187	184	205		125	80		340	11.5	12	14.5		
160	330	960	428	205	223	219		135	84		362	15.5	16	18.5		
180	315	945	371	187	184	205		125	80		340	11.5	12	14.5		
240	330	960	428	205	223	219		135	84		362	15.5	16	18.5		



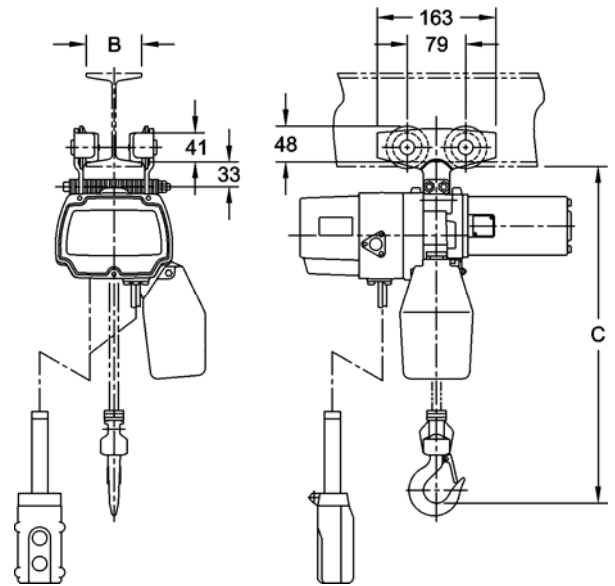
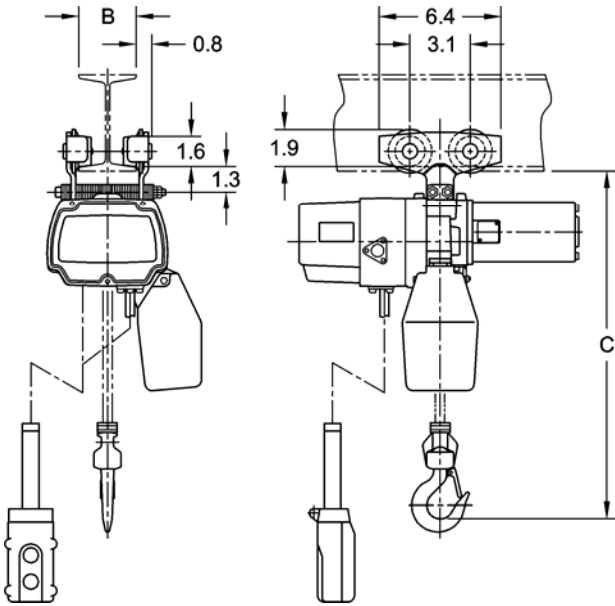
**S and DS Models**



**Imperial DA Model**



**Metric DA Model**



### ET525 Mini Trolley Imperial Specifications and Dimensions

Maximum Capacity (lbs)	Product Code	Adjustable Beam Width B (in)	Min. Radius for Curve (in)	Net Weight (lbs)	Approx. Shpg. Weight (lbs)
525	ET525	1.97 – 3.94	23.6	4.0	5.0

Cap. (lbs)	Headroom C (in)	
	S & DS Model	DA Model
125	10.5	35.3
220	10.5	35.3
250	10.5	35.3
350	11.1	35.9
400	10.5	35.3
525	11.1	35.9

### Metric Specifications and Dimensions

Maximum Capacity (kg)	Product Code	Adjustable Beam Width B (mm)	Min. Radius for Curve (mm)	Net Weight (kg)	Approx. Shpg. Weight (kg)
240	ET525	50 – 100	600	1.9	2.3

Cap. (kg)	Headroom C (mm)	
	S & DS Model	DA Model
60	266	896
100	266	896
115	266	896
160	281	911
180	266	896
240	281	911