



**AH AIR HOIST**  
**CROSBY BULLARD/SHUR-LOC HOOK KITS**  
**INSTALLATION INSTRUCTIONS**

**PURPOSE**

Provide instructions for installing the Bullard & Shur-Loc Hook Kits (see EDOC0229) on AH Harrington Hoists products.

**INSTRUCTIONS**

***Preliminary:*** While following the below, refer to the figures on pages 2-5 of this document.

**For Bottom Yoke (Figures 1 and 3)**

1. Remove the socket bolts (item #147) and spring washer (item # 152) from the bottom yoke pair (item # 143), disengaging the load chain (item # 101).
2. Remove the o-ring (item # 146), hook thrust plate (item # 144), and the thrust bearing (item #145), from the original hook (item # 142A).
3. Attach the thrust bearing (item #145), the hook thrust plate (item # 144), and o-ring (item # 146) to the new hook. (item # 200)
4. Insert the last link of the load chain and the new hook (item # 200) into the yoke pair (item # 143).
5. Insert socket bolts (item #147) and spring washer (item # 152) into the yoke pair (item # 143) and tighten to 95 IN LBS.

Once the Hook Set is installed:

- Install the WTAG6 Warning Tag included in the Hook Kit. WTAG6 is to be installed adjacent to the standard warning tag provided with the hoist.
- Follow the "Crosby/Bullard Golden Gate Hook Warning and Applications Instructions" provided with the hook.

**For Top Yoke (Figures 2 and 4)**

1. Drive out the spring pins (item # 98), releasing the top hook and yoke assembly from hoist body.
2. Remove the hex flat head machine screws (item # 148) from the top yoke pair (item # 141).
3. Remove original top hook (item # 140A).
4. Insert new hook (item # 201) into the top yoke pair (item # 141).
5. Reinsert the hex flat head machine screws (item # 148) and tighten to 95 IN LBS.
6. Drive out the top yoke assembly into hoist body and insert spring pins (item # 98).

Once the Hook Set is installed:

- Install the WTAG6 Warning Tag included in the Hook Kit. WTAG6 is to be installed adjacent to the standard warning tag provided with the hoist.
- Follow the "Crosby/Bullard Golden Gate Hook Warning and Applications Instructions" provided with the hook.

**GENERAL USE**

EDOC0230

Rev. 0

7/15/02

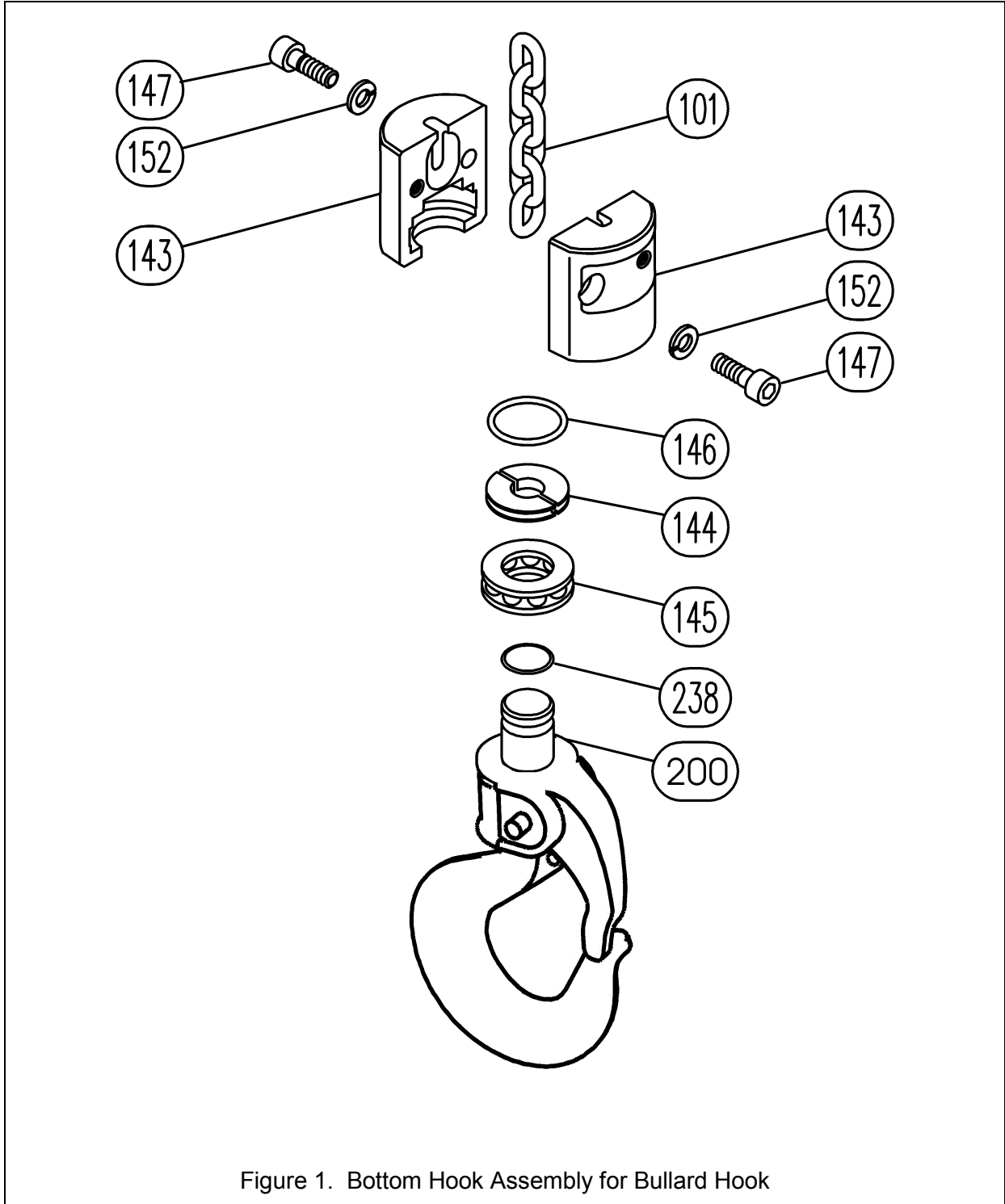


Figure 1. Bottom Hook Assembly for Bullard Hook

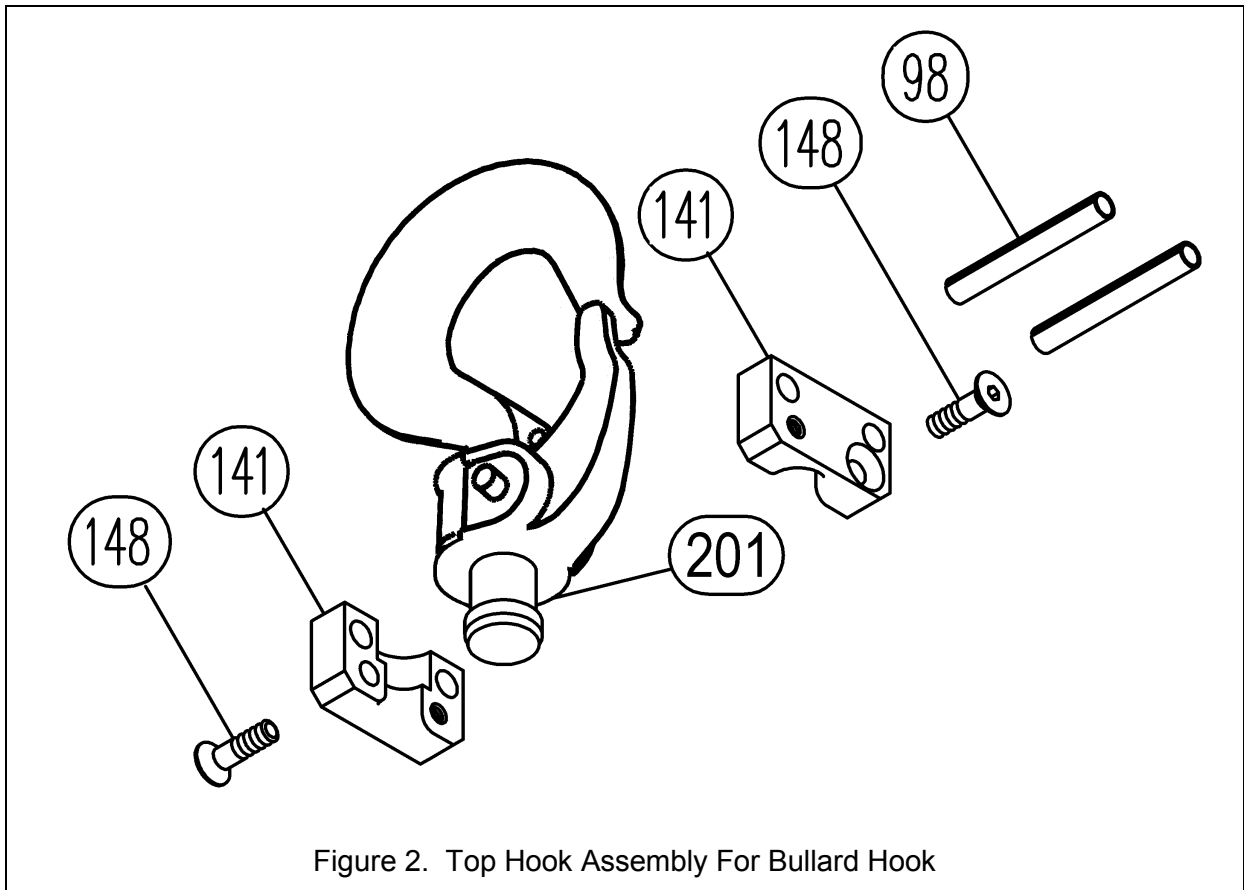


Figure 2. Top Hook Assembly For Bullard Hook

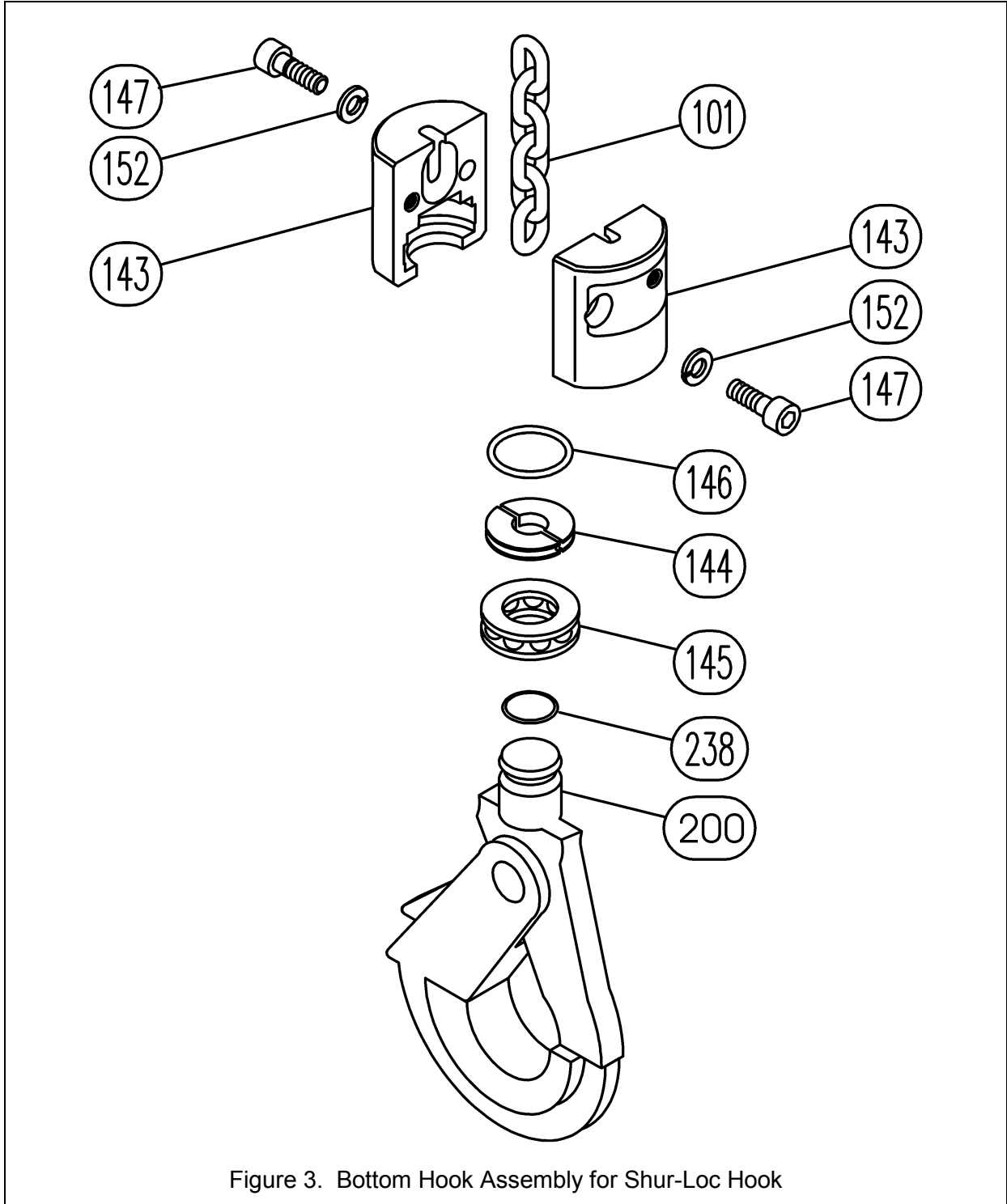


Figure 3. Bottom Hook Assembly for Shur-Loc Hook

