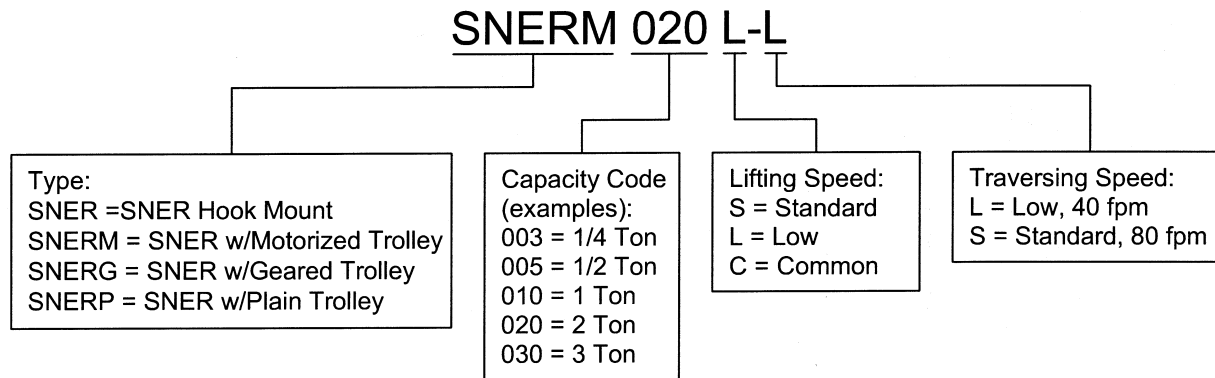


Product Code:



SNER Model:

Harrington SNER series hoists are single-phase voltage hoist with a friction clutch mechanism used for over winding protection.

Features:

- BODY – Die Cast Aluminum, Low Headroom, Quiet Operation
- MOTOR – Fan Cooled (TEFC) – (**OPTIONAL** Thermal Protection available)
- MOTOR BRAKE – Advanced Pull Rotor
- LOAD CHAIN – Grade 80
- VOLTAGE – Standard 115/230V-1-60 (single phase)
- OPERATING ENVIRONMENT – Temperature -4° to +104°F
 – Humidity 85% or less
- ENCLOSURE RATING – Hoist Meets IP55, Pendant Meets IP65
- FRICTION CLUTCH – The SNER Models have a Friction Clutch
- LIMIT SWITCH – Standard Upper Limit Switch, Optional Upper and Lower Limit Switch
- LOAD CHAIN FALLS - Single Chain Fall Up Through 2 Ton, double fall 3T (SNER030C)

- 1/4 Ton is 1 Chain Fall
- 1/2 Ton is 1 Chain Fall
- 1 Ton is 1 Chain Fall
- 2 Ton is 1 Chain Fall
- 3 Ton is 2 Chain Falls

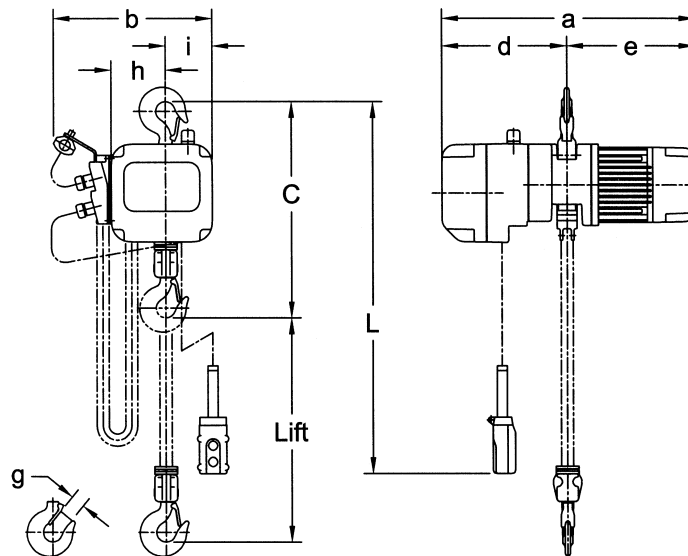
Duty Rating:

	Single Speed
ASME Duty Classification:	H4
Intermittent Duty Rating:	60% ED 360 starts per hour
Short Time Duty Rating:	60 min.

Hoist Specifications:

Capacity (Ton)	Product Code	Lifting Speed (ft/min)	Motor		Net Weight (lbs)	Weight for One Addnl. FT. of Lift (lbs)	
			Output (Hp)	Current Draw (Amps)			
				115V			230V
1/4	SNER003S	14	0.34	7.7	3.9	82	
1/2	SNER005L	7				0.6	16.9
1/2	SNER005S	15	1.2	23.9	12.0		
1	SNER010L	7				159	207
1	SNER010S	14	174	3.1	3.1		
2	SNER020L	7				207	3.1
3	SNER030C	3.5					

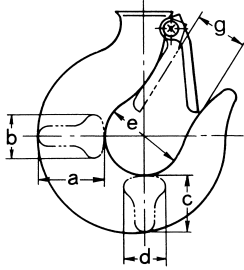
1/4 to 3 Ton Hoist Dimensions:



Product Code	Minimum Headroom: C (in)	L* (ft)	a (in)	b (in)	d (in)	e (in)	g (in)	h (in)	i (in)
SNER003S	13.8	7.2	22.2	13.0	10.4	11.9	0.9	4.0	3.9
SNER005L	14.0								
SNER005S	14.6		23.2	13.8	10.8	12.6	1.2	4.7	4.1
SNER010L	16.1								
SNER010S	17.3		26.9	16.5	12.4	14.4	1.5	6.1	5.2
SNER020L	22.6								
SNER030C	29.5	8.2					1.7	8.2	3.0

*The "L" dimensions are based on the standard lift of 10 feet.

Hook Dimensions:



T = Top Hook
 B = Bottom Hook
 Units = in.

Capacity Code	Hook	a	b	c	d	e	g
003S, 005L, 005S	T	1.1	0.7	0.9	0.7	1.4	1.1
	B	1.1	0.7	0.9	0.7	1.4	0.9
010L, 010S	T & B	1.4	0.9	1.2	0.9	1.7	1.2
020S, 020L	T & B	1.9	1.1	1.6	1.1	2.0	1.5
030C	T & B	2.2	1.4	1.9	1.4	2.4	1.7



www.harringtonhoists.com

Harrington Hoists, Inc.
 401 West End Avenue
 Manheim, PA 17545
 Phone: 717-665-2000
 Toll Free: 800-233-3010
 Fax: 717-665-2861

Harrington Hoists – Western Division
 2341 Pomona Rincon Rd. #103
 Corona, CA 92880-6973
 Phone: 909-279-7100
 Toll Free: 800-317-7111
 Fax: 909-279-7500