



SNERG & SNERP Electric Chain Hoist with Manual Trolley
Models EP1A and TS2
Specifications and Dimensions

Purpose:

To provide dimension and specification information for single speed, single phase ER model electric chain hoists equipped with manual push and geared trolleys.

Imperial Specifications – Single Speed Hoist with Push or Geared Trolley:

Cap. (Tons)	Product Code	Standard Lift (ft)	Push Button Cord L (ft)	Lifting Speed (ft/min)	Lifting Motor Single Phase 60 Hz			Flange Width Adjustability B (in)		Minimum* Allow. Radius for curve (in)	Load Chain Diameter (mm) x Chain Fall Lines	Net Weight (lbs)	Weight for Additional One Foot of Lift (lbs)
					Output (Hp)	Rated Current (amps)		Standard	Optional				
						@115V	@230V						
1/4	SNERP(SNERG)003S	10	7.5	14	0.34	7.7	3.9	2.28 to 4.00 (2.28 to 5.00)	4.01 to 8.00 (5.01 to 8.00) OR 8.01 to 12.00	43.3 (51.2)	5.0 x 1	93 (110)	0.37 (1.0)
1/2	SNERP(SNERG)005L			7	0.34	7.7	3.9						
1/2	SNERP(SNERG)005S			15	0.6	16.9	8.5						
1	SNERP(SNERG)010L			7	0.6	16.9	8.5	2.28 to 5.00	5.01 to 8.00 OR 8.01 to 12.00	51.2	8.0 x 1	130 (141)	0.93 (1.5)
1	SNERP(SNERG)010S			14	1.2	23.9	12.0						
2	SNERP(SNERG)020L			7	1.2	23.9	12.0	3.23 to 6.02	6.03 to 12.00	59.1	10.0 x 1	209 (220)	1.5 (2.2)
3	SNERP(SNERG)030C			8.2	3.5	1.2	23.9						

Figures in parentheses are data for geared trolley.

*Minimum Flange Width for curved beam: 1 Ton Push and 1/4 to 1 Ton Geared = 2.87 in.
 3 Ton Push or Geared = 3.50 in.

Imperial Dimensions – Single Speed Hoist with Push Trolley:

Cap. (Tons)	Product Code	Headroom C (in)	a (in)	b (in)	e (in)	g (in)	h (in)	i (in)	j (in)	k (in)	m (in)	n (in)	r (in)	t (in)
1/4	SNERP003S	15.4	8.0	7.2	1.8	0.9	3.2	2.36	0.7	3.0	1.9	3.3	1.5	0.87
1/2	SNERP005L	15.4	8.0	7.2	1.8	0.9	3.2	2.36	0.7	3.0	1.9	3.3	1.5	0.87
1/2	SNERP005S	16.1	8.0	7.2	1.8	0.9	3.2	2.36	0.7	3.0	1.9	3.3	1.5	0.87
1	SNERP010L	18.1	9.8	9.3	2.2	1.2	4.2	2.80	1.1	3.7	2.2	4.4	2.0	0.98
1	SNERP010S	19.5	9.8	9.3	2.2	1.2	4.2	2.80	1.1	3.7	2.2	4.4	2.0	0.98
2	SNERP020L	24.6	11.8	11.0	2.7	1.5	5.0	3.35	1.3	4.4	2.8	5.2	2.4	1.26
3	SNERP030C	29.3	12.6	12.8	3.1	1.7	5.8	3.94	1.4	5.3	3.1	6.0	2.7	1.42

Imperial Dimensions – Single Speed Hoist with Geared Trolley:

Cap. (Tons)	Product Code	Headroom C (in)	E (ft)	a (in)	b (in)	e (in)	g (in)	h (in)	i (in)	j (in)	k (in)	k' (in)	m (in)	n (in)	r (in)	t (in)	u (in)
1/4	SNERG003S	16.1	10.5	13.6	9.3	6.0	0.9	4.2	2.80	1.1	3.7	4.2	2.2	4.4	2.0	0.98	7.2
1/2	SNERG005L	16.1	10.5	13.6	9.3	6.0	0.9	4.2	2.80	1.1	3.7	4.2	2.2	4.4	2.0	0.98	7.2
1/2	SNERG005S	16.9	10.5	13.6	9.3	6.0	0.9	4.2	2.80	1.1	3.7	4.2	2.2	4.4	2.0	0.98	7.2
1	SNERG010L	18.1	10.5	13.6	9.3	6.0	1.2	4.2	2.80	1.1	3.7	4.2	2.2	4.4	2.0	0.98	7.2
1	SNERG010S	19.5	10.5	13.6	9.3	6.0	1.2	4.2	2.80	1.1	3.7	4.2	2.2	4.4	2.0	0.98	7.2
2	SNERG020L	24.6	10.5	15.2	11.0	6.1	1.5	5.0	3.35	1.3	4.4	4.3	2.7	5.2	2.4	1.26	7.2
3	SNERG030C	29.3	11.0	15.7	12.8	6.2	1.7	5.8	3.94	1.4	5.3	4.5	3.1	6.0	2.7	1.42	7.2

Metric Specifications – Single Speed Hoist with Push or Geared Trolley:

Cap. (Tons)	Product Code	Standard Lift (m)	Push Button Cord L (m)	Lifting Speed (m/min)	Lifting Motor Single Phase 60 Hz			Flange Width Adjustability B (mm)		Minimum* Allow. Radius for curve (mm)	Load Chain Diameter (mm) x Chain Fall Lines	Net Weight (kg)	Weight for Additional One Meter of Lift (kg)
					Output (kW)	Rated Current (amps)		Standard	Optional				
						@115V	@230V						
1/4	SNERP(SNERG)003S	3	2.3	4.3	0.25	7.7	3.9	58 to 102 (58 to 127)	103 to 203 (128 to 203) OR 204 to 305	1100 (1300)	5.0 x 1	42 (50)	0.55 (1.5)
1/2	SNERP(SNERG)005L			2.1	0.25	7.7	3.9				6.3 x 1	43 (51)	0.85 (1.8)
1/2	SNERP(SNERG)005S			4.6	0.45	16.9	8.5				6.3 x 1	52 (61)	0.85 (1.8)
1	SNERP(SNERG)010L			2.1	0.45	16.9	8.5	58 to 127	128 to 203 OR 204 to 305	1300	8.0 x 1	59 (64)	1.38 (2.3)
1	SNERP(SNERG)010S			4.3	0.85	23.9	12.0			1300	8.0 x 1	81 (86)	1.38 (2.3)
2	SNERP(SNERG)020L			2.1	0.85	23.9	12.0	82 to 153	154 to 305	1500	10.0 x 1	95 (100)	2.3 (3.2)
3	SNERP(SNERG)030C			2.5	1.1	0.85	23.9			12.0	1700	10.0 x 2	114 (119)

Figures in parentheses are data for geared trolley.

*Minimum Flange Width for curved beam: 1 Ton Push and 1/4 to 1 Ton Geared = 2.87 in.
3 Ton Push or Geared = 3.50 in.

Metric Dimensions – Single Speed Hoist with Push Trolley:

Cap. (Tons)	Product Code	Headroom C (mm)	a (mm)	b (mm)	e (mm)	g (mm)	h (mm)	i (mm)	j (mm)	k (mm)	m (mm)	n (mm)	r (mm)	t (mm)
1/4	SNERP003S	390	204	182	46	24	82	60	19	76	48	84	38	22
1/2	SNERP005L	390	204	182	46	24	82	60	19	76	48	84	38	22
1/2	SNERP005S	410	204	182	46	24	82	60	19	76	48	84	38	22
1	SNERP010L	460	249	236	56	31	106	71	28	95	56	112	50	25
1	SNERP010S	495	249	236	56	31	106	71	28	95	56	112	50	25
2	SNERP020L	625	300	280	69	37	127	85	34	112	71	131	62	32
3	SNERP030C	745	320	324	79	44	148	100	36	134	80	152	68	36

Metric Dimensions – Single Speed Hoist with Geared Trolley:

Cap. (Tons)	Product Code	Headroom C (mm)	E (m)	a (mm)	b (mm)	e (mm)	g (mm)	h (mm)	i (mm)	j (mm)	k (mm)	k' (mm)	m (mm)	n (mm)	r (mm)	t (mm)	u (mm)
1/4	SNERG003S	410	3.2	345	236	152	24	106	71	28	95	106	56	112	50	25	183
1/2	SNERG005L	410	3.2	345	236	152	24	106	71	28	95	106	56	112	50	25	183
1/2	SNERG005S	430	3.2	345	236	152	24	106	71	28	95	106	56	112	50	25	183
1	SNERG010L	460	3.2	345	236	152	31	106	71	28	95	106	56	112	50	25	183
1	SNERG010S	495	3.2	345	236	152	31	106	71	28	95	106	56	112	50	25	183
2	SNERG020L	625	3.2	385	280	154	37	127	85	34	112	109	71	131	62	32	183
3	SNERG030C	745	3.3	398	324	157	44	148	100	36	134	114	80	152	68	36	183

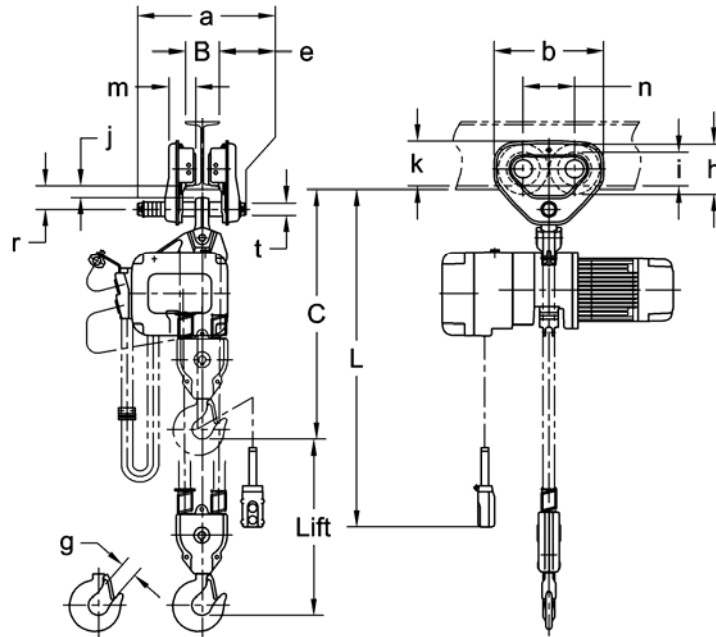


Figure 1 – SNER with Push Trolley, Single Speed (SNERP030C)

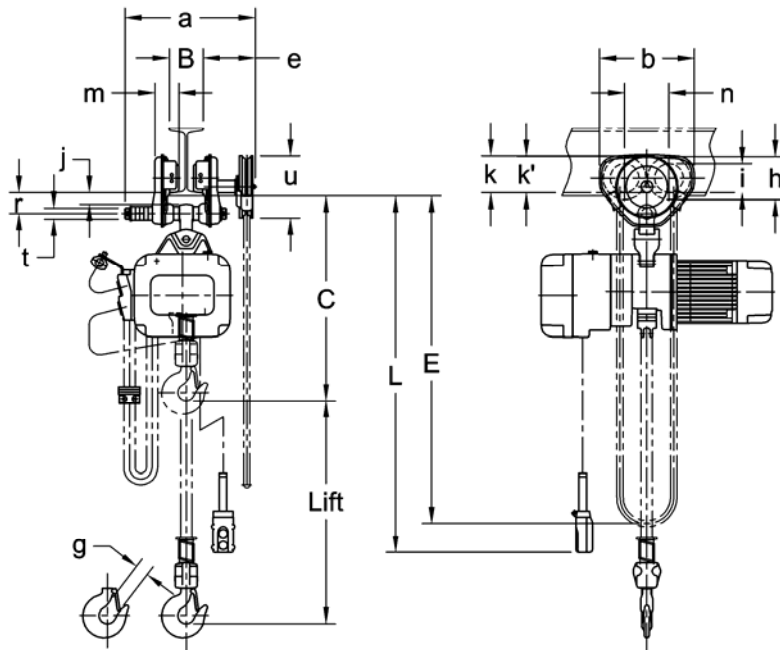


Figure 2 – SNER with Geared Trolley, Single Speed (SNERG020L)