



SNERM Electric Chain Hoist with Motorized Trolley Models EP1A, MP1A, and MP1B Specifications and Dimensions

Purpose:

To provide dimension and specification information for single speed, single-phase voltage SNER model electric chain hoist equipped with single speed, single-phase voltage SMR motorized trolley.

Imperial Specifications – Single Speed Hoist with Single Speed Trolley:

Cap. (Tons)	Product Code	Standard Lift (ft)	Push Button Cord L (ft)	Lifting Speed (ft/min)	Traversing Speed (ft/min)	Lifting Motor Single Phase 60 Hz			Traversing Motor Single Phase 60 Hz			Flange Width Adjustability B (in)		Minimum Allow. Radius for curve (in)	Load Chain Diameter (mm) x Chain Fall Lines	Net Weight (lbs)	Weight for Additional One Foot of Lift (lbs)
						Output (Hp)	Rated Current (amps)		Output (Hp)	Rated Current (amps) *		Standard	Optional				
							@115V	@230V		@115V	@230V						
1/4	SNERM003S-L/S	10	7.5	14	L = 40 S = 80	0.34	7.7	3.9	0.54	MP1A 8.1	MP1A 4.1	2.28 to 5.00	5.01 to 6.02 OR 6.03 to 12.00	31.5	5.0 x 1	168	0.37
1/2	SNERM005L-L/S			7		0.34	7.7	3.9						31.5	6.3 x 1	170	0.57
1/2	SNERM005S-L/S			15		0.6	16.9	8.5						31.5	6.3 x 1	190	0.57
1	SNERM010L-L/S			7		0.6	16.9	8.5						31.5	8.0 x 1	196	0.93
1	SNERM010S-L/S			14		1.2	23.9	12.0						31.5	8.0 x 1	245	0.93
2	SNERM020L-L/S			7		1.2	23.9	12.0						3.23 to 6.02	6.03 to 7.02 OR 7.03 to 12.00	276	1.5
3	SNERM030C-L/S			8.2		3.5	1.2	23.9				12.0	39.4			10.0 x 2	322

* MP1A has Start Capacitor. MP1B has Run Capacitor.

Imperial Dimensions – Single Speed Hoist with Single Speed Trolley:

Cap. (Tons)	Product Code	Headroom C (in)	b (in)	b' (in)	d (in)	e (in)	e' (in)	g (in)	i (in)	j (in)	k (in)	m (in)	n (in)	r (in)	t (in)	u (in)
1/4	SNERM003S-L/S	14.6	12.4	15.6	10.6	20.3	7.0	0.9	3.74	0.9	5.1	8.0	4.3	2.0	1.22	3.2
1/2	SNERM005L-L/S	14.6	12.4	15.6	10.6	20.3	7.0	0.9	3.74	0.9	5.1	8.0	4.3	2.0	1.22	3.2
1/2	SNERM005S-L/S	15.4	12.4	15.6	10.6	20.3	7.0	0.9	3.74	0.9	5.1	8.0	4.3	2.0	1.22	3.2
1	SNERM010L-L/S	16.5	12.4	15.6	10.6	20.3	7.0	1.2	3.74	0.9	5.1	8.0	4.3	2.0	1.22	3.2
1	SNERM010S-L/S	17.7	12.4	15.6	10.6	20.3	7.0	1.2	3.74	0.9	5.1	8.0	4.3	2.0	1.22	3.2
2	SNERM020L-L/S	22.2	12.8	16.4	10.7	20.5	7.2	1.5	4.33	1.1	4.9	8.3	4.6	2.4	1.42	3.0
3	SNERM030C-L/S	28.9	13.4	17.4	10.8	20.5	7.3	1.7	4.92	1.1	5.2	8.5	5.2	2.7	1.69	2.7

Metric Specifications – Single Speed Hoist with Single Speed Trolley:

Cap. (Tons)	Product Code	Standard Lift (m)	Push Button Cord L (m)	Lifting Speed (m/min)	Traversing Speed (m/min)	Lifting Motor Single Phase 60 Hz			Traversing Motor Single Phase 60 Hz			Flange Width Adjustability B (mm)		Minimum Allow. Radius for curve (mm)	Load Chain Diameter (mm) x Chain Fall Lines	Net Weight (kg)	Weight for Additional One Meter of Lift (kg)
						Output (kW)	Rated Current (amps)		Output (kW)	Rated Current (amps) *		Standard	Optional				
							@115V	@230V		@115V	@230V						
1/4	SNERM003S-L/S	3	2.3	4.3	L = 12.0 S = 24.0	0.25	7.7	3.9	0.4	MP1A 8.1	MP1A 4.1	58 to 127	128 to 153 OR 154 to 305	800	5.0 x 1	76	0.55
1/2	SNERM005L-L/S			2.1		0.25	7.7	3.9						800	6.3 x 1	77	0.85
1/2	SNERM005S-L/S			4.6		0.45	16.9	8.5						800	6.3 x 1	86	0.85
1	SNERM010L-L/S			2.1		0.45	16.9	8.5						800	8.0 x 1	89	1.38
1	SNERM010S-L/S			4.3		0.85	23.9	12.0		800	8.0 x 1			111	1.38		
2	SNERM020L-L/S			2.1		0.85	23.9	12.0		82 to 153	154 to 178 OR 179 to 305			1000	10.0 x 1	125	2.3
3	SNERM030C-L/S			2.5		1.1	0.85	23.9						12.0	1000	10.0 x 2	146

* MP1A has Start Capacitor. MP1B has Run Capacitor.

Metric Dimensions – Single Speed Hoist with Single Speed Trolley:

Cap. (Tons)	Product Code	Headroom C (mm)	b (mm)	b' (mm)	d (mm)	e (mm)	e' (mm)	g (mm)	i (mm)	j (mm)	k (mm)	m (mm)	n (mm)	r (mm)	t (mm)	u (mm)
1/4	SNERM003S-L/S	370	315	396	268	515	179	24	95	24	130	204	109	51	31	81
1/2	SNERM005L-L/S	370	315	396	268	515	179	24	95	24	130	204	109	51	31	81
1/2	SNERM005S-L/S	390	315	396	268	515	179	24	95	24	130	204	109	51	31	81
1	SNERM010L-L/S	420	315	396	268	515	179	31	95	24	130	204	109	51	31	81
1	SNERM010S-L/S	450	315	396	268	515	179	31	95	24	130	204	109	51	31	81
2	SNERM020L-L/S	565	325	417	273	520	184	37	110	29	125	212	118	60	36	76
3	SNERM030C-L/S	735	340	442	274	520	185	44	125	29	131	215	132	68	43	69

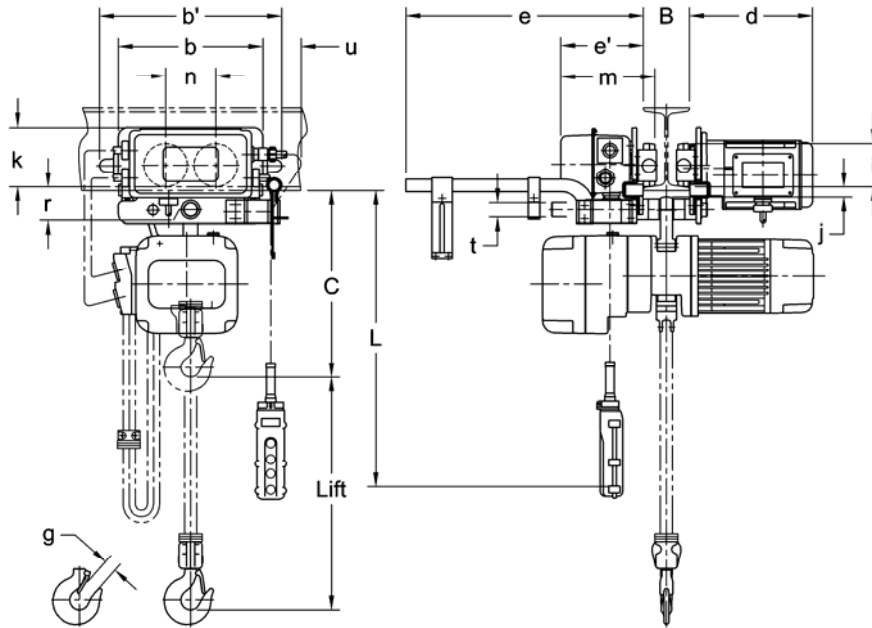


Figure 1 – SNER with Motorized, Single Speed (SNERM010L-L)