



SNER Electric Chain Hoist
Model EP1A
Specifications and Dimensions

Purpose:

To provide dimension and specification information for hook mount, single speed, single phase ER model electric chain hoist.

Imperial Single Speed Specifications:

Cap. (Tons)	Product Code	Standard Lift (ft)	Push Button Cord L (ft)	Lifting Speed (ft/min)	Lifting Motor Single Phase 60 Hz			Load Chain Diameter (mm) x Chain Fall Lines	Net Weight (lbs)	Weight for Additional One Foot of Lift (lbs)
					Output (Hp)	Rated Current (amps)				
						@115V	@230V			
1/4	SNER003S	10	7.2	14	0.34	7.7	3.9	5.0 x 1	82	0.37
1/2	SNER005L			7	0.34	7.7	3.9	6.3 x 1	84	0.57
1/2	SNER005S			15	0.6	16.9	8.5	6.3 x 1	104	0.57
1	SNER010L			7	0.6	16.9	8.5	8.0 x 1	110	0.93
1	SNER010S			14	1.2	23.9	12.0	8.0 x 1	159	0.93
2	SNER020L			7	1.2	23.9	12.0	10.0 x 1	174	1.5
3	SNER030C	8.2	3.5	1.2	23.9	12.0	10.0 x 2	207	3.1	

Imperial Single Speed Dimensions:

Cap. (Tons)	Product Code	Headroom C (in)	a (in)	b (in)	d (in)	e (in)	g (in)	h (in)	i (in)
1/4	SNER003S	13.8	22.2	13.0	10.4	11.9	0.9	4.0	3.9
1/2	SNER005L	14.0	22.2	13.0	10.4	11.9	0.9	4.0	3.9
1/2	SNER005S	14.6	23.2	13.8	10.6	12.6	0.9	4.7	4.1
1	SNER010L	16.1	23.2	13.8	10.6	12.6	1.2	4.7	4.1
1	SNER010S	17.3	26.9	16.5	12.4	14.4	1.2	6.1	5.2
2	SNER020L	22.6	26.9	16.5	12.4	14.4	1.5	6.1	5.2
3	SNER030C	29.5	26.9	16.5	12.4	14.4	1.7	8.2	3.0

Metric Single Speed Specifications:

Cap. (Tons)	Product Code	Standard Lift (m)	Push Button Cord L (m)	Lifting Speed (m/min)	Lifting Motor Single Phase 60 Hz			Load Chain Diameter (mm) x Chain Fall Lines	Net Weight (kg)	Weight for Additional One Meter of Lift (kg)
					Output (kW)	Rated Current (amps)				
						@115V	@230V			
1/4	SNER003S	3	2.2	4.3	0.25	7.7	3.9	5.0 x 1	37	0.55
1/2	SNER005L			2.1	0.25	7.7	3.9	6.3 x 1	38	0.85
1/2	SNER005S			4.6	0.45	16.9	8.5	6.3 x 1	47	0.85
1	SNER010L			2.1	0.45	16.9	8.5	8.0 x 1	50	1.38
1	SNER010S			4.3	0.85	23.9	12.0	8.0 x 1	72	1.38
2	SNER020L			2.1	0.85	23.9	12.0	10.0 x 1	79	2.3
3	SNER030C		2.5	1.1	0.85	23.9	12.0	10.0 x 2	94	4.6

Metric Single Speed Dimensions:

Cap. (Tons)	Product Code	Headroom C (mm)	a (mm)	b (mm)	d (mm)	e (mm)	g (mm)	h (mm)	i (mm)
1/4	SNER003S	350	565	330	264	301	24	102	98
1/2	SNER005L	355	565	330	264	301	24	102	98
1/2	SNER005S	370	590	350	270	320	24	120	103
1	SNER010L	410	590	350	270	320	31	120	103
1	SNER010S	440	683	420	316	367	31	154	131
2	SNER020L	575	683	420	316	367	37	154	131
3	SNER030C	750	683	420	316	367	44	209	76

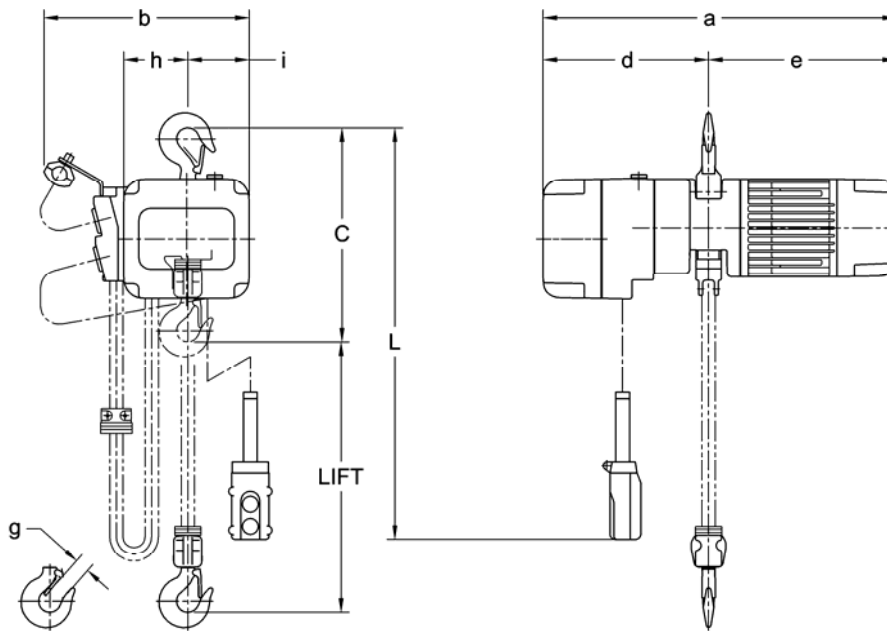


Figure 1 – SNER Hook Mount, Single Speed (SNER005L)