

Purpose

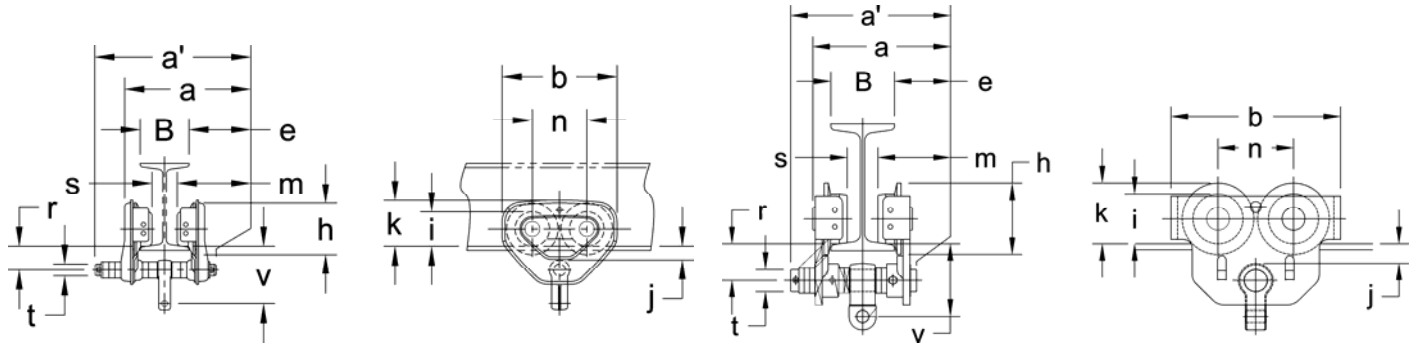
To provide dimension and specification information for PTS & GTS TROLLEYS.

Attachments

Pg. No. 2	Data Chart	PTS TROLLEY- IMPERIAL
Pg. No. 2	Line Drawing	PTS TROLLEY
Pg. No. 3	Data Chart	GTS TROLLEY- IMPERIAL
Pg. No. 3	Line Drawing	GTS TROLLEY
Pg. No. 4	Data Chart	GTSEHW TROLLEY- IMPERIAL
Pg. No. 4	Line Drawing	GTSEHW TROLLEY
Pg. No. 5	Data Chart	PTS TROLLEY- METRIC
Pg. No. 5	Line Drawing	PTS TROLLEY
Pg. No. 6	Data Chart	GTS TROLLEY- METRIC
Pg. No. 6	Line Drawing	GTS TROLLEY
Pg. No. 7	Data Chart	GTSEHW TROLLEY- METRIC
Pg. No. 7	Line Drawing	GTSEHW TROLLEY

Imperial PTS Trolley

Cap. (Tons)	Product Code	Min. Radius for Curve (in)	Flange Width Adjustability B (in)		a _{max} (in)	a' (in)	b (in)	e (in)	h (in)	i (in)	j (in)	k (in)	m (in)	n (in)	r (in)	s (in)	t (in)	v (in)	Net Weight (lbs)	Shipping Weight Approx. (lbs)
			Standard	Option																
1/2	PTS2005	43.3	2.28 to 4.00	4.01 to 8.00 or 8.01 to 12.00	6.8	8.0	7.2	1.8	3.2	2.36	0.70	3.0	2.7	3.3	1.5	B-1.8	0.87	4.0	10	11
1	PTS2010	51.2	2.28 to 5.00	5.01 to 8.00 or 8.01 to 12.00	8.5	9.8	9.3	2.2	4.2	2.80	1.1	3.7	3.1	4.4	2.0	B-1.9	0.98	4.8	18	19
1 1/2-2	PTS2020	59.1	3.23 to 6.02	6.03 to 12.00	10.4	14.0	11.0	2.7	5.0	3.35	1.3	4.4	3.8	5.2	2.4	B-2.3	1.26	5.6	31	32
2 1/2-3	PTS2030	66.9			11.0	15.0	12.8	3.1	5.8	3.94	1.4	5.3	4.3	6.0	2.7		1.42	7.1	51	52
5	PTS2050	90.6	3.94 to 7.02	7.03 to 12.00	10.7	13.0	15.7	2.1	6.7	4.65	1.8	5.7	3.6	7.0	3.5	B-3.0	2.13	9.5	110	112



PTS2005 to PTS2030

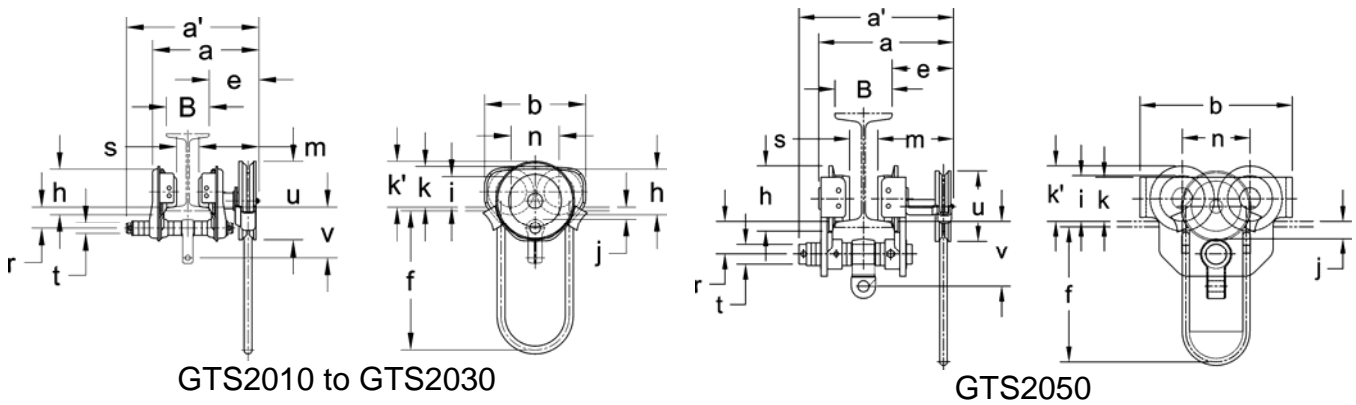
PTS2050

Imperial GTS Trolley

Cap. (Tons)	Product Code	Min.** Radius for Curve (in)	Flange Width Adjustability B (in)		a max (in)	a' (in)	b (in)	e (in)	f* (ft)	h (in)	i (in)	j (in)	k (in)	k' (in)	m (in)	n (in)	r (in)	s (in)	t (in)	u (in)	v (in)	Net Weight (lbs)	Shipping Weight Approx. (lbs)
			Standard	Option																			
1	GTS2010	51.2	2.28 to 5.00	5.01 to 8.00 or 8.01 to 12.00	10.8	13.2	9.3	4.6	8	4.2	2.80	1.1	3.7	4.2	5.5	4.4	2.0	B-1.9	0.98	7.2	4.7	27	28
1 1/2-2	GTS2020	59.1	3.23 to 6.02	6.03 to 12.00	13.7	17.2	11.0	6.1		5.0	3.35	1.4	4.4	4.3	7.2	5.2	2.4	B-2.3	1.26		5.6	42	44
2 1/2-3	GTS2030	66.9			14.1	17.8	12.8	6.2		5.8	3.94	1.4	5.3	4.5	7.4	6.0	2.7		1.42		7.2	60	62
5	GTS2050	90.6	3.94 to 7.02	7.03 to 12.00	14.9	16.9	15.7	6.2		6.7	4.65	1.8	5.7	5.2	7.7	7.0	3.5	B-3.0	2.13		9.6	124	127

*Longer hand chain drops available upon request.

**Minimum flange width for curved beam: 1 Ton Push and 1/8 to 1 Ton Geared = 2.87 in.; 3 Ton Push and Geared = 3.50 in.



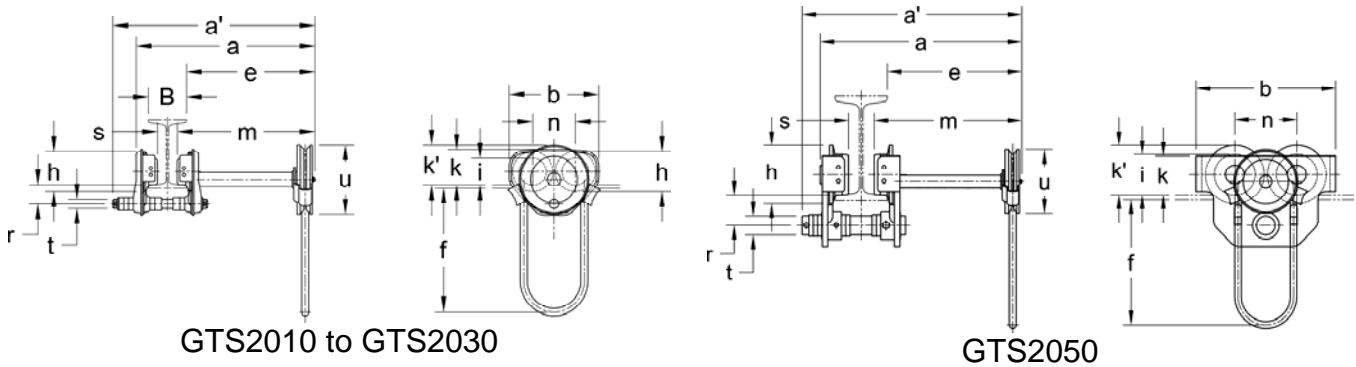
GENERAL USE
EDOC0201

Imperial GTS Trolley Extended Hand Wheel

Cap. (Tons)	Product Code	Min.** Radius for Curve (in)	Flange Width Adjustability B (in)		a max (in)	a' (in)	b (in)	e (in)	f* (ft)	h (in)	l (in)	k (in)	k' (in)	m (in)	n (in)	r (in)	s (in)	t (in)	u (in)	Net Weight (lbs)	Shipping Weight Approx. (lbs)
			Standard	Option																	
1	GTS2010	17.7	2.28 to 5.00	5.01 to 8.00 or 8.01 to 12.00	17.2	18.5	9.3	13.3	8	4.2	2.80	3.7	4.2	10.9	4.4	2.0	B-1.9	0.98	7.2	53	54
1 1/2-2	GTS2020	21.7	3.23 to 6.02	6.03 to 12.00	20.0	21.4	11.0	15.7		5.0	3.35	4.4	4.3	12.4	5.2	2.4	B-2.3	1.26		82	84
2 1/2-3	GTS2030	25.6			20.7	22.3	12.8	15.9		5.8	3.94	5.3	4.5	12.8	6.0	2.7		1.42		106	108
5	GTS2050	78.7	3.94 to 7.02	7.03 to 12.00	19.8	20.1	15.7	15.2		6.7	4.65	5.7	5.2	12.3	7.0	3.5	B-3.0	2.13		207	210

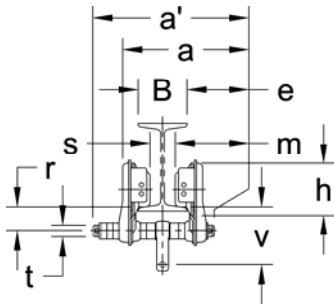
*Longer hand chain drops available upon request.

**Minimum flange width for curved beam: 1 Ton Push and 1/8 to 1 Ton Geared = 2.87 in.; 3 Ton Push and Geared = 3.50 in.

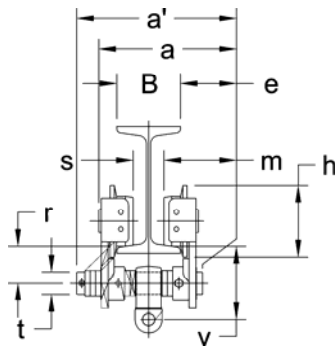
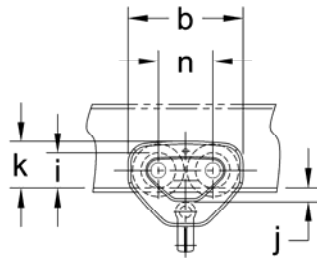


Metric PTS Trolley

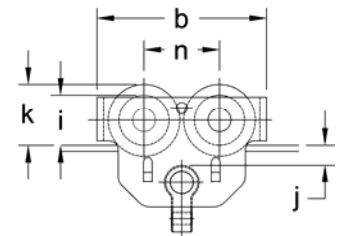
Cap. (Tons)	Product Code	Min. Radius for Curve (mm)	Flange Width Adjustability B (mm)		a max (mm)	a' (mm)	b (mm)	e (mm)	h (mm)	i (mm)	j (mm)	k (mm)	m (mm)	n (mm)	r (mm)	s (mm)	t (mm)	v (mm)	Net Weight (kg)	Shipping Weight Approx. (kg)
			Standard	Option																
1/2	PTS2005	1100	58 to 102	102 to 203 or 203 to 305	173	231	182	46	82	60	18	76	68	84	38	B-45	22	103	4.5	5
1	PTS2010	1300	58 to 127	127 to 203 or 203 to 305	215	276	236	56	106	71	29	95	80	112	50	B-47	25	122	8	9
1 1/2-2	PTS2020	1501	82 to 153	153 to 305	264	353	280	69	127	85	33	112	97	131	62	B-57	32	143	14	15
2 1/2-3	PTS2030	1699			280	373	324	79	148	100	36	134	110	152	68	B-59	36	182	23	24
5	PTS2050	2301	100 to 178	179 to 305	273	325	399	53	170	118	46	144	91	178	89	B-76	54	242	50	51



PTS2005 to PTS2030



PTS2050

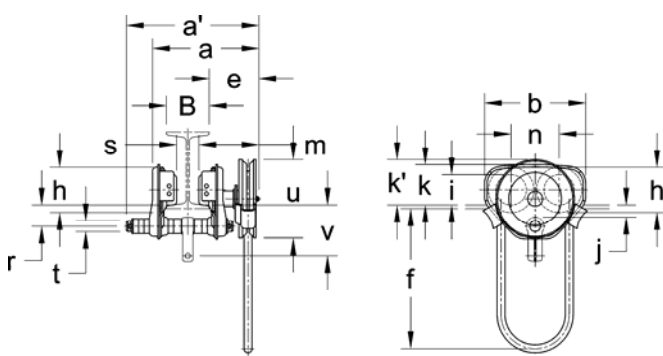


Metric GTS Trolley

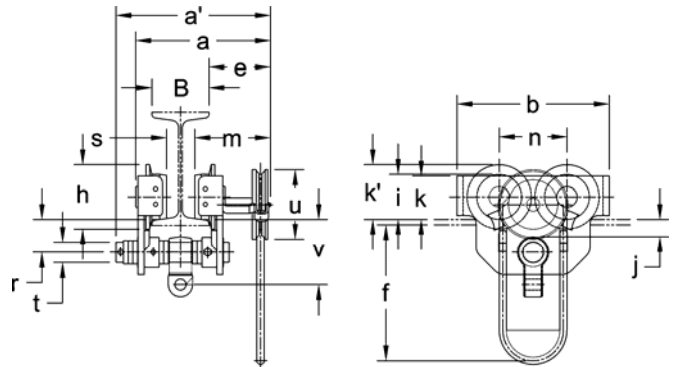
Cap. (Tons)	Product Code	Min.** Radius for Curve (mm)	Flange Width Adjustability B (mm)		a max (mm)	a' (mm)	b (mm)	e (mm)	f* (m)	h (mm)	i (mm)	j (mm)	k (mm)	k' (mm)	m (mm)	n (mm)	r (mm)	s (mm)	t (mm)	u (mm)	v (mm)	Net Weight (kg)	Shipping Weight Approx. (kg)
			Standard	Option																			
1	GTS2010	1300	58 to 127	128 to 203 or 204 to 305	275	336	236	116		106	71	29	95	106	140	112	50	B-47	25		119	12	13
1 1/2-2	GTS2020	1501	82 to 153	153 to 305	349	438	280	154	2.4	127	85	35	112	109	183	131	62	B-57	32	183	143	19	21
2 1/2-3	GTS2030	1700			359	451	324	157		148	100	36	134	114	188	152	68	B-59	36		182	27	29
5	GTS2050	2301	100 to 178	179 to 305	378	429	400	157		169	118	47	144	131	197	178	88	B-76	54		243	56	59

*Longer hand chain drops available upon request.

**Minimum flange width for curved beam: 1 Ton Push and 1/8 to 1 Ton Geared = 73 mm; 3 Ton Push and Geared = 89 mm.



GTS2010 to GTS2030



GTS2050

Metric GTS Trolley Extended Hand Wheel

Cap. (Tons)	Product Code	Min.** Radius for Curve (mm)	Flange Width Adjustability B (mm)		a max (mm)	a' (mm)	b (mm)	e (mm)	f* (m)	h (mm)	l (mm)	k (mm)	k' (mm)	m (mm)	n (mm)	r (mm)	s (mm)	t (mm)	u (mm)	Net Weight (kg)	Shipping Weight Approx. (kg)
			Standard	Option																	
1	GTS2010	450	58 to 127	127 to 203 or 203 to 305	437	470	236	338	2.4	106	71	95	106	277	112	50	B-47	25	183	24	24.5
1 1/2-2	GTS2020	550	82 to 153	153 to 305	508	544	280	399		127	85	112	109	315	131	62	B-57	32		37	38
2 1/2-3	GTS2030	650			526	567	324	404		148	100	134	114	325	152	68	B-59	36		48	49
5	GTS2050	2000	100 to 178	179 to 305	503	511	400	386		169	118	144	131	312	178	88	B-76	54		94	96

*Longer hand chain drops available upon request.

**Minimum flange width for curved beam: 1 Ton Push and 1/8 to 1 Ton Geared = 73 mm.; 3 Ton Push and Geared = 89 mm.

