



SH Electric Chain Hoist

Model EF2F

Specifications and Dimensions

Purpose:

To provide dimension and specification information for hook mount and manual trolley versions of the SH model electric chain hoist.

Specifications – Hook Mount:

Cap. (Tons)	Product Code	Standard Lift (ft)	Push Button Cord L (ft)	Lifting Speed (ft/min)	Lifting Motor Single Phase 60 Hz				Load Chain Diameter (mm) x Chain Fall Lines	Max. Lift w/ Canvas Chain Container (ft)	Net Weight (lbs)	Weight for Additional One Foot of Lift (lbs)
					Output (Hp)	Rating (min)	Rated Current (amps)					
							@110V	@220V				
1/4	SH003S	10	9.5	15	0.33	12	6.8	3.6	5.0 x 1	40	71	0.5
1/2	SH005L			7.5	0.33	12	6.8	3.6	5.0 x 2	20	79	0.9
1/2	SH005S		9.8	14	0.50	12	11.8	4.2	6.3 x 1	50	99	0.7
1	SH010L			7	0.50	12	11.8	4.2	6.3 x 2	25	110	1.3
1	SH010S			9	0.75	12	12.1	5.2	7.1 x 1	50	132	0.9
2	SH020L		10.2	4.5	0.75	12	12.1	5.2	7.1 x 2	25	146	1.6

Dimensions – Hook Mount:

Cap. (Tons)	Product Code	Headroom C (in)	D (in)	a (in)	b (in)	d (in)	e (in)	f (in)	g (in)	h (in)	i (in)
1/4	SH003S	20.1	29.3	15.4	9.6	9.5	5.9	10.3	0.9	3.4	3.4
1/2	SH005L	21.7	29.3	15.4	9.6	9.5	5.9	10.3	0.9	3.4	3.4
1/2	SH005S	27.8	32.7	15.5	11.1	8.8	6.7	13.7	0.9	4.3	4.3
1	SH010L	30.7	33.3	15.5	11.1	8.8	6.7	13.7	1.2	4.3	4.3
1	SH010S	29.9	34.8	17.3	11.1	10.0	7.3	13.7	1.2	4.3	4.3
2	SH020L	36.8	38.4	17.3	11.1	10.0	7.3	13.7	1.5	7.0	3.2

Specifications – Trolley Mount:

Cap. (Tons)	Product Code	Standard Lift (ft)	Push Button Cord L (ft)	Lifting Speed (ft/min)	Lifting Motor Single Phase 60 Hz				Flange Width Adjustability B (in)		Minimum* Allow. Radius for curve (in)	Load Chain Diameter (mm) x Chain Fall Lines	Max. Lift w/ Canvas Chain Container (ft)	Net Weight (lbs)	Weight for Additional One Foot of Lift (lbs)
					Output (Hp)	Rating (min)	Rated Current (amps)		Standard	Optional					
							@110V	@220V							
1/4	SHP(SHG)003S	10	9.5	15	0.33	12	6.8	3.6	2.28 to 4.00 (2.28 to 5.00)	4.01 to 8.00 (5.01 to 8.00) OR 8.01 to 12.00	13.8 (17.7)	5.0 x 1	40	82 (99)	0.5 (1.1)
1/2	SHP(SHG)005L			7.5	0.33	12	6.8	3.6				5.0 x 2	20	90 (108)	0.9 (1.5)
1/2	SHP(SHG)005S		9.8	14	0.50	12	11.8	4.2			17.7	6.3 x 1	50	111 (129)	0.7 (1.3)
1	SHP(SHG)010L			7	0.50	12	11.8	4.2	6.3 x 2	25		132 (142)	1.3 (1.9)		
1	SHP(SHG)010S			9	0.75	12	12.1	5.2	21.7	7.1 x 1	50	124 (135)	0.9 (1.5)		
2	SHP(SHG)020L		10.2	4.5	0.75	12	12.1	5.2		3.23 to 6.02	6.03 to 12.00	7.1 x 2	25	154 (164)	1.6 (2.3)

Figures in parentheses are data for geared trolley.

Dimensions – Hoist with Geared Trolley:

Cap. (Tons)	Product Code	Headroom C (in)	D (in)	E (ft)	a (in)	b (in)	e (in)	g (in)	h (in)	i (in)	j (in)	k (in)	k' (in)	m (in)	n (in)	r (in)	t (in)	u (in)
1/4	SHG003S	20.7	29.6	10.5	12.2	9.3	4.6	0.9	4.2	2.80	1.1	3.7	4.2	2.2	4.4	2.0	0.98	7.2
1/2	SHG005L	21.9	29.6	10.5	12.2	9.3	4.6	0.9	4.2	2.80	1.1	3.7	4.2	2.2	4.4	2.0	0.98	7.2
1/2	SHG005S	28.0	32.9	10.5	12.2	9.3	4.6	0.9	4.2	2.80	1.1	3.7	4.2	2.2	4.4	2.0	0.98	7.2
1	SHG010L	30.3	32.9	10.5	12.2	9.3	4.6	1.2	4.2	2.80	1.1	3.7	4.2	2.2	4.4	2.0	0.98	7.2
1	SHG010S	29.5	34.5	10.5	12.2	9.3	4.6	1.2	4.2	2.80	1.1	3.7	4.2	2.2	4.4	2.0	0.98	7.2
2	SHG020L	35.8	37.3	10.5	15.2	11.0	6.1	1.5	5.0	3.35	1.3	4.4	4.3	2.8	5.2	2.4	1.26	7.2

Dimensions – Hoist with Push Trolley:

Cap. (Tons)	Product Code	Headroom C (in)	D (in)	a (in)	b (in)	e (in)	g (in)	h (in)	i (in)	j (in)	k (in)	m (in)	n (in)	r (in)	t (in)
1/4	SHP003S	19.7	28.7	8.0	7.2	1.8	0.9	3.2	2.36	0.7	3.0	1.9	3.3	1.5	0.87
1/2	SHP005L	21.3	28.7	8.0	7.2	1.8	0.9	3.2	2.36	0.7	3.0	1.9	3.3	1.5	0.87
1/2	SHP005S	27.4	32.1	8.0	7.2	1.8	0.9	3.2	2.36	0.7	3.0	1.9	3.3	1.5	0.87
1	SHP010L	30.3	32.9	9.8	9.3	2.2	1.2	4.2	2.80	1.1	3.7	2.2	4.4	2.0	0.98
1	SHP010S	29.5	34.5	9.8	9.3	2.2	1.2	4.2	2.80	1.1	3.7	2.2	4.4	2.0	0.98
2	SHP020L	35.8	37.3	11.8	11.0	2.7	1.5	5.0	3.35	1.3	4.4	2.8	5.2	2.4	1.26

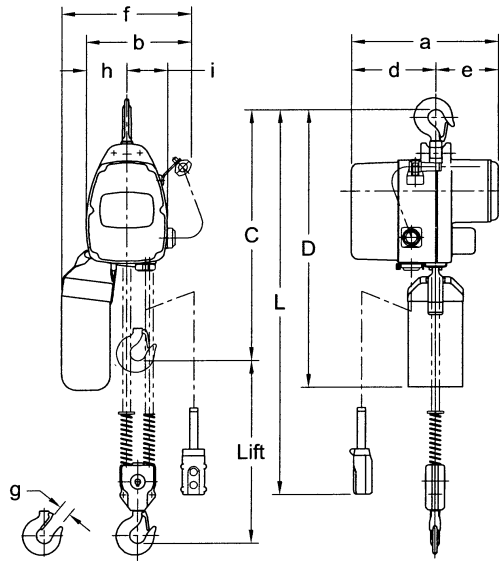


Figure 1 – SH Hook Mount (SH010L)

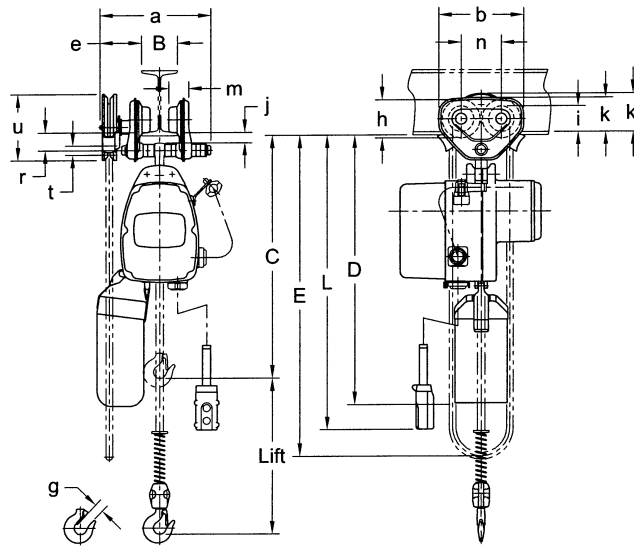


Figure 2 – SH with Geared Trolley (SHG005S)